

Maddox Crossing Dining Table

Stock # BH44-084-299-01



ADULT ASSEMBLY REQUIRED

If you have any questions regarding assembly or if parts are missing, **DO NOT** return this item to the store where it was purchased. Please call our customer service number and have your instructions and parts list ready to provide the model name, part name or factory number:

1-866-942-5362

Pacific Standard Time: 8:30 a.m. - 4:30 p.m., Monday - Friday

Or visit our web site 24 hours a day, 7 days a week for product assistance at

www.whalenstyle.com

Or e-mail your request to **parts@whalenfurniture.com**

**THIS INSTRUCTION BOOKLET CONTAINS IMPORTANT SAFETY INFORMATION.
PLEASE READ AND KEEP FOR FUTURE REFERENCE.**

QUALITY GUARANTEE

We are confident that you will be delighted with your Whalen Furniture purchase.

Should this product be defective in workmanship or materials or fail under normal use, we will repair or replace it for up to one (1) year from date of purchase. Every Whalen Furniture product is designed to meet your highest expectations. We guarantee that you will immediately see the value of our fine furniture.

This warranty gives you specific legal rights and you may also have other rights which vary from State to State.

Customer Service: 1-866-942-5362
8:30 a.m. - 4:30 p.m., PST, Monday to Friday
www.whalenstyle.com

MAXIMUM RECOMMENDED WEIGHT LOADS

1. Maximum load weight on table is 181.4 kg (400 pounds).

⚠ WARNING THIS UNIT IS INTENDED ONLY FOR USE WITHIN THE MAXIMUM WEIGHTS INDICATED. USE WITH LOAD HEAVIER THAN THE MAXIMUM WEIGHTS INDICATED MAY RESULT IN INSTABILITY, CAUSING POSSIBLE INJURY.

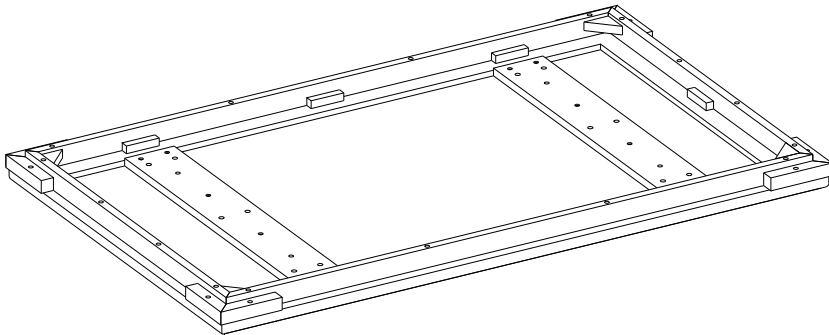
GENERAL INFORMATION, TIPS & TRICKS

1. Please read the Assembly Instructions prior to assembling the unit.
2. To avoid damage, assemble the unit on a sturdy, level and non-abrasive surface.
3. Keep all hardware and parts out of the reach of children.
4. Please wait until all steps are completed before fully tightening bolts.
5. Make sure all nuts, bolts and screws are tightly fastened before the unit is used.
6. Check that all bolts and screws are tight at least every 3 months or as needed.

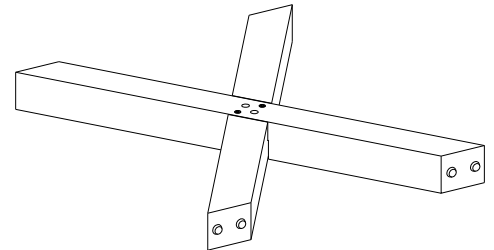
Please call for replacement parts or assistance: 1-866-942-5362

Parts and Hardware List

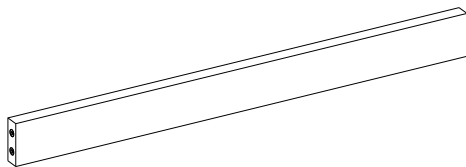
Please read completely through the instructions and verify that all listed parts and hardware are present before beginning assembly.



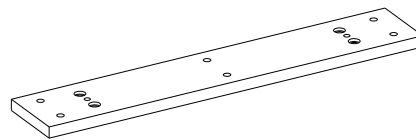
A- Table Top (1)



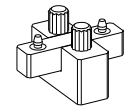
B- Table Leg (2)



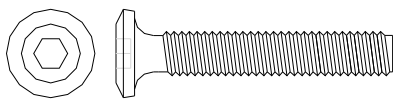
C- Center Stretcher (1)



D- Mounting Board (2)
(Pre-installed)



E- Tenon Attachment (2)



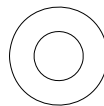
(1) M6 x 35 mm Bolt (20+1 extra)



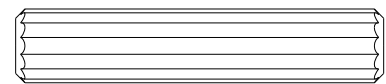
(2) M6 x 75 mm Bolt (4+1 extra)



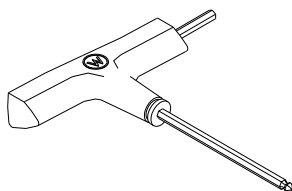
(3) Small Lock Washer
(24+1 extra)



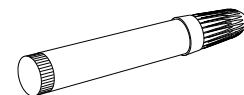
(4) Small Flat Washer
(24+1 extra)



(5) M10 x 50 mm Wood Dowel
(4+1 extra)



T-handle Allen Wrench (1)



Touch-up Pen (1)

Tools required: Allen wrench (provided) and Phillips screwdriver (not provided).

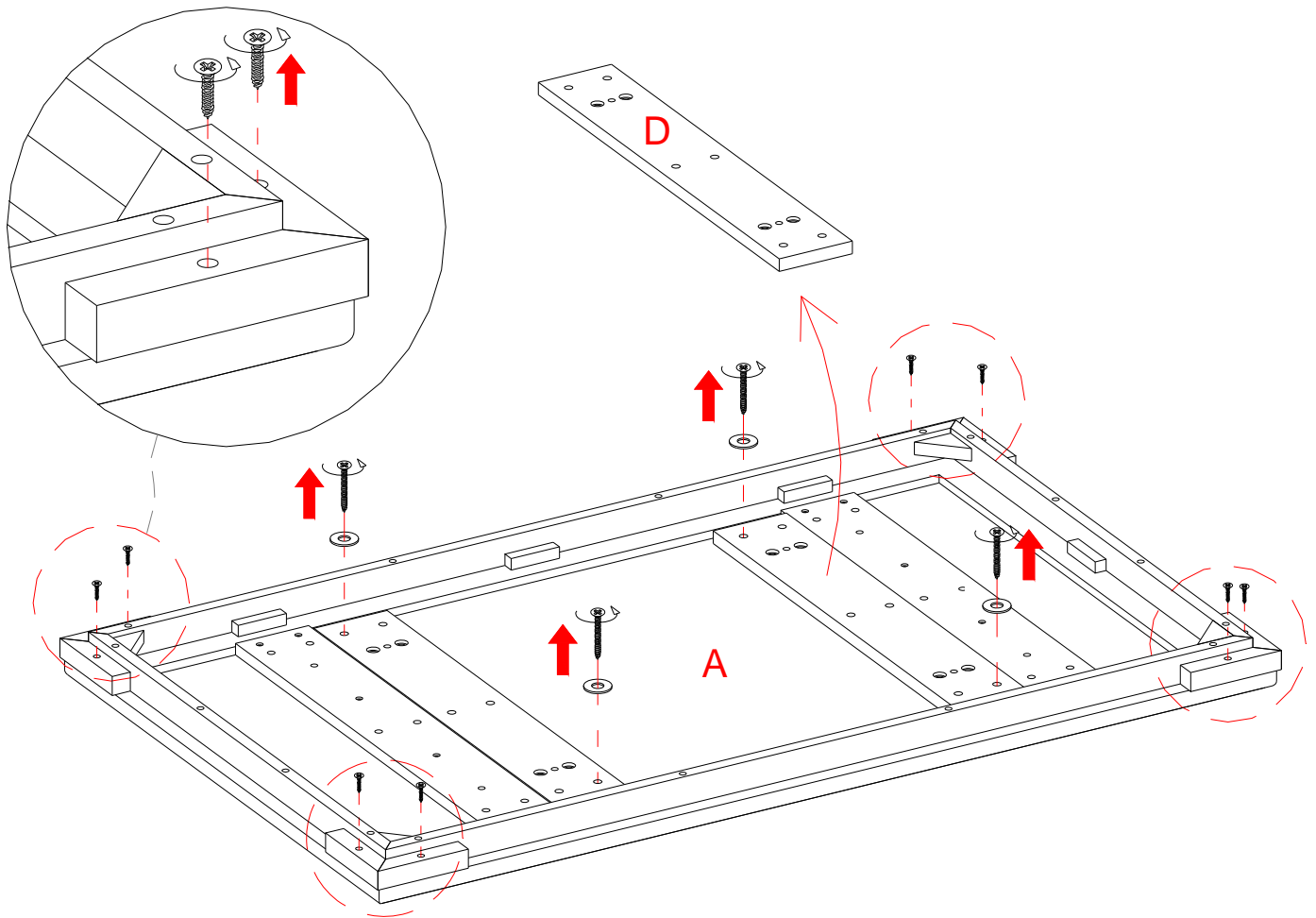
Please call for replacement parts or assistance: 1-866-942-5362

Whalen Furniture Manufacturing

Page 3

Factory # 15197

Assembly Instructions



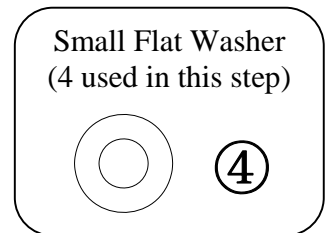
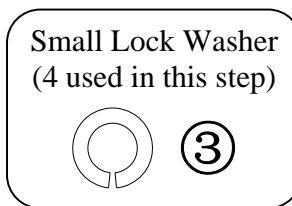
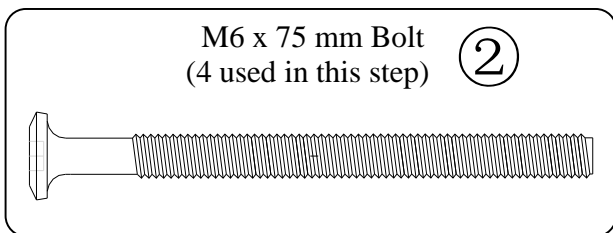
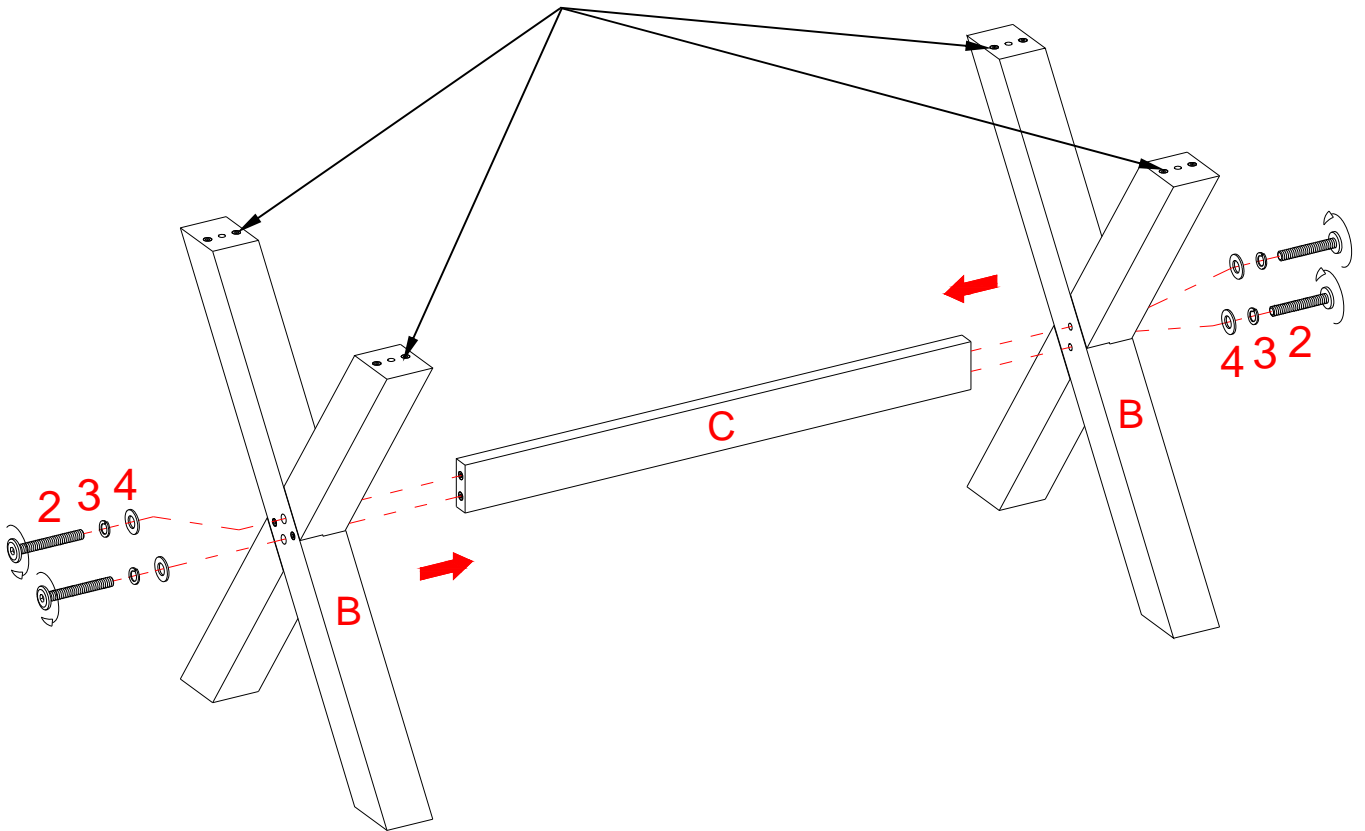
⚠ WARNING DO NOT fully tighten the bolts or nuts initially until all the bolts or nuts are ready to assemble. To avoid causing damages to the thread, DO NOT over-tighten the nuts or bolts.

1. Unpack the unit and confirm that you have all the hardware and required parts. Assemble the unit on a carpeted floor or the empty carton to avoid any scratch.
2. Remove 2 Mounting Boards (D) from the Table Top (A) by unscrewing the wood screws and flat washers, using a Phillips screwdriver, as shown.
3. Remove the additional wood blocks attached at the corners of Table Top (A) by unscrewing the wood screws. These are used for shipping purposes only. After removing them, please discard.

Please call for replacement parts or assistance: 1-866-942-5362

Assembly Instructions

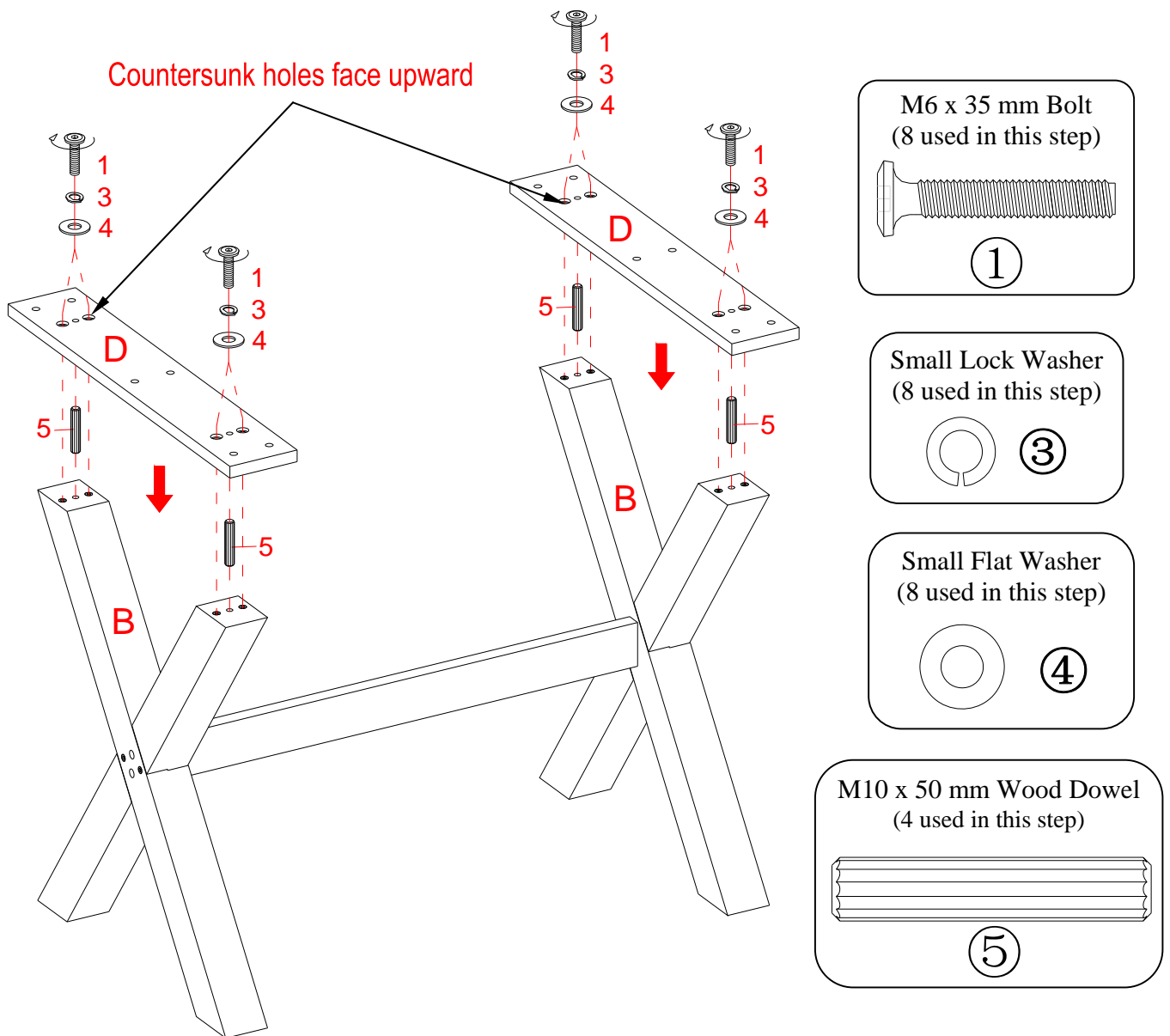
Threaded holes for the Mounting Board



4. Align and attach the Center Stretcher (C) between the Table Legs (B) by inserting the 75 mm Bolt (2) with Lock Washer (3) and Flat Washer (4) through each countersunk hole on the legs and securely screw into the threaded inserts on the Stretcher. Tighten the bolts with the enclosed Allen wrench. As shown.

Please call for replacement parts or assistance: 1-866-942-5362

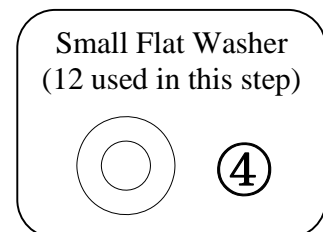
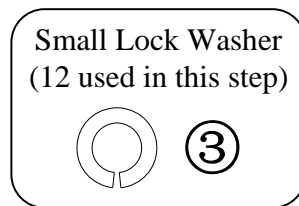
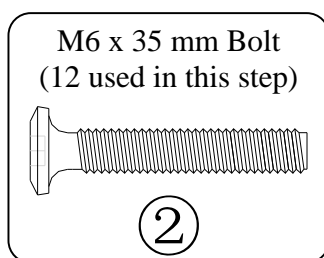
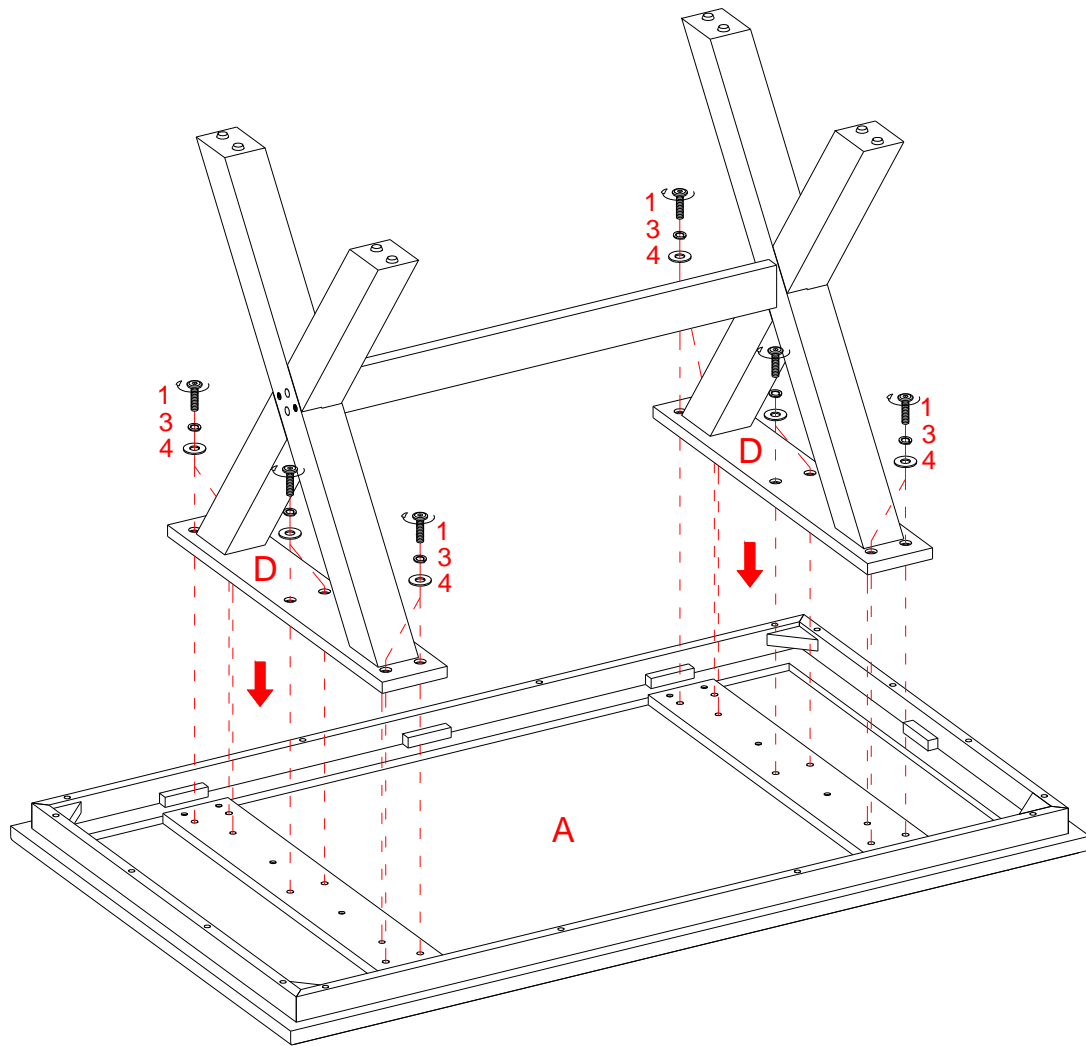
Assembly Instructions



5. Insert the M10 x 50 mm Wood Dowel (5) into the middle non-threaded hole on the top of each Leg (B). Position one Mounting Board (D) onto the inserted Wood Dowels (5) with the countersunk holes facing up. Securely screw four 35 mm Bolts (1) with the Small Washers (3 and 4) into the countersunk holes to attach the Mounting Board (D) to the Leg (B).
6. Repeat last step with the other Mounting Board (D).

Please call for replacement parts or assistance: 1-866-942-5362

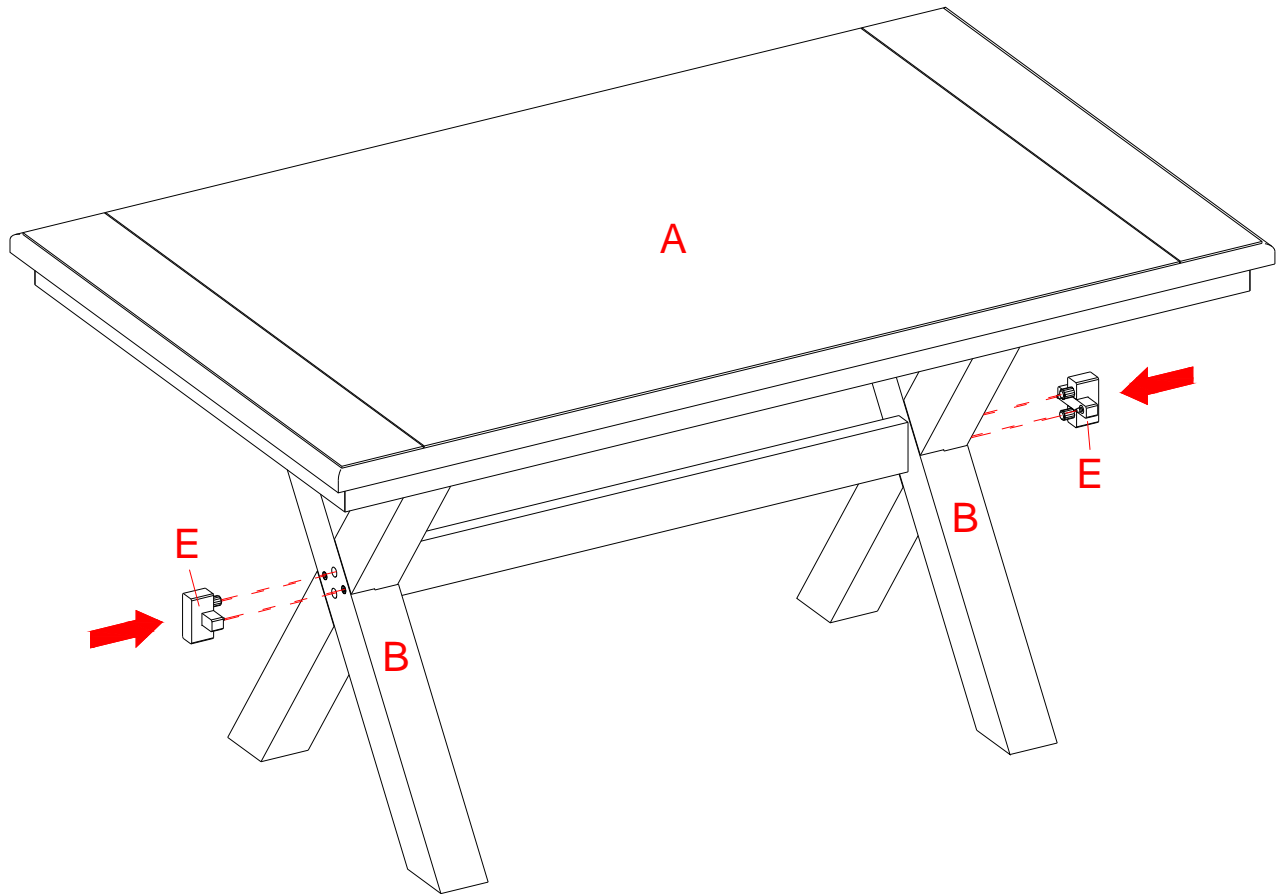
Assembly Instructions



7. Flip the assembled base upside down and align the Mounting Boards (D) to the sub-tops properly, using the inserted Wood Dowels (5) as a guide.
8. Attach the Mounting Boards (D) to the Table Top (A) using twelve 35 mm Bolts (1) and twelve Small Washers (3 and 4). As shown. Securely tighten all the bolts with the enclosed Allen wrench.

Please call for replacement parts or assistance: 1-866-942-5362

Assembly Instructions



9. Ask for assistance to lift the unit upright and position it at the desired location.
10. For nice looking, attach 2 Tenon Attachments (E) onto the countersunk holes of the Legs (B) respectively by engaging the plastic fittings. Tap lightly with a rubber mallet, if needed.

Care and Maintenance

- From time to time please ensure there are no loose nuts on the product.
- Use a soft, clean cloth that will not scratch the surface when dusting.
- Use of furniture polish is not necessary. Should you choose to use polish, test first in an inconspicuous area.
- Using solvents of any kind on your furniture may damage your furniture's finish.
- Never use water to clean your furniture as it may cause damage to the finish.
- Always use coasters under beverage glasses and flowerpots.
- Liquid spills should be removed immediately. Using a soft clean cloth, blot the spill gently. Avoid rubbing.
- Always use protective pads under hot dishes and plates. Heat can cause chemical changes that may create spotting within the furniture finish.
- Stains or marks from crayons or ink markers will be difficult to remove.
- In the event that your furniture is stained or otherwise damaged during use, we recommend that you call a professional to repair your furniture.
- Check bolts/screws periodically and tighten them if necessary.

Further advice about wood furniture care

It is best to keep your furniture in a climate-controlled environment. Extreme temperature and humidity changes can cause fading, warping, shrinking and splitting of wood. It is advised to keep furniture away from direct sunlight as sun may damage the finish.

Proper care and cleaning at home will extend the life of your purchase. Following these important and helpful tips will enhance your furniture as it ages.

A Touch-up Pen has been provided to repair any small nicks or scratches that may occur during assembly or shipping.

We hope you enjoy your purchase for many years.
Thank you for your purchase!

**Better
Homes
and Gardens.**

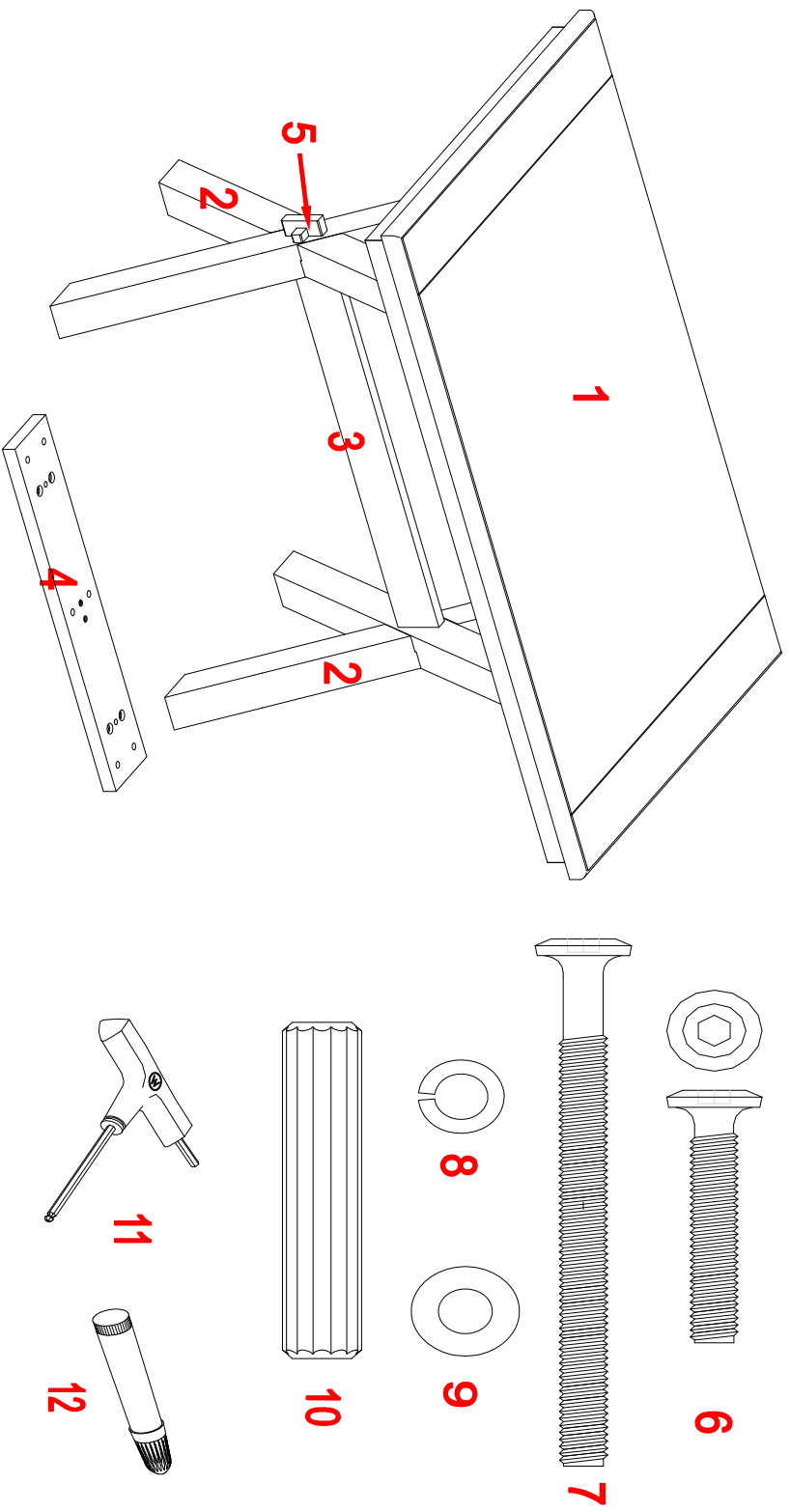
Please call for replacement parts or assistance: 1-866-942-5362

Whalen Furniture Manufacturing

Page 9

Factory # 15197

IF YOU NEED TO ORDER ANY REPLACEMENT PARTS, PLEASE USE THE LIST BELOW
Maddox Crossing Dining Table (BH44-084-299-01)



*BH44-084-299-01-1-TT	Table Top	*BH44-084-299-01-8-SLW	Small Lock Washer
*BH44-084-299-01-2-TL	Table Leg	*BH44-084-299-01-9-SFW	Small Flat Washer
*BH44-084-299-01-3-CS	Center Stretcher	*BH44-084-299-01-10-50WD	M10 x 50 mm Wood Dowel
*BH44-084-299-01-4-MB	Mounting Board	*BH44-084-299-01-11-THW	T-handle Wrench
*BH44-084-299-01-5-TA	Tenon Attachment	*BH44-084-299-01-12-TUP	Touch-up Pen
*BH44-084-299-01-6-35B	M6 x 35 mm Bolt	*BH44-084-299-01-CH	Complete Hardware
*BH44-084-299-01-7-75B	M6 x 75 mm Bolt		