

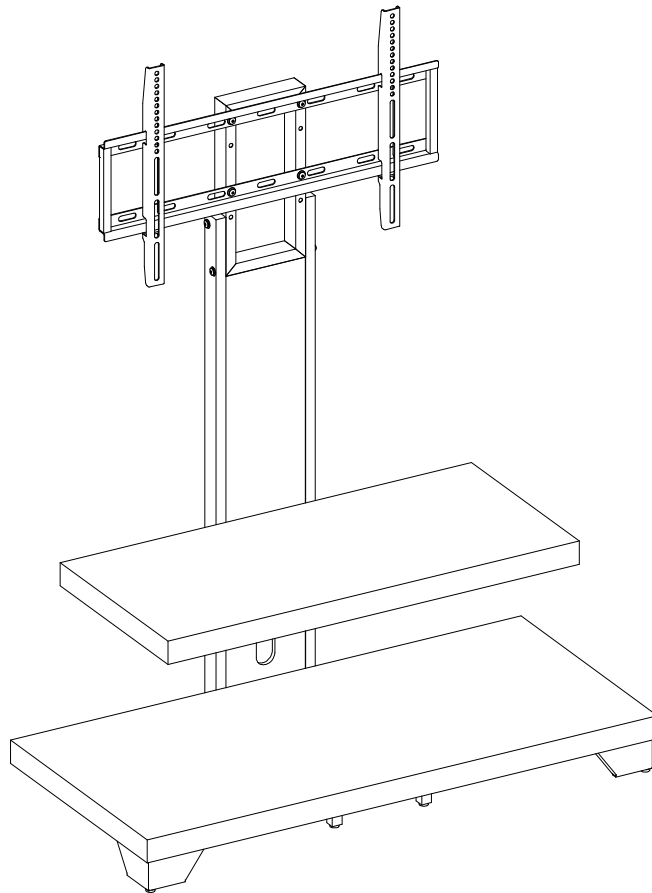


WHALEN®

LOT NUMBER: _____
DATE PURCHASED: __/__/__

50" Flat Panel TV Stand

Stock # PROL-36



ADULT ASSEMBLY REQUIRED

If you have any questions regarding assembly or if parts are missing, DO NOT return this item to the store where it was purchased. Please call our customer service number and have your instructions and parts list ready to provide the model name, part name or factory number:

866-942-5362

Pacific Standard Time: 8:30 a.m. - 4:30 p.m., Monday - Friday

Or visit our web site 24 hours a day, 7 days a week for product assistance at

www.whalenstyle.com

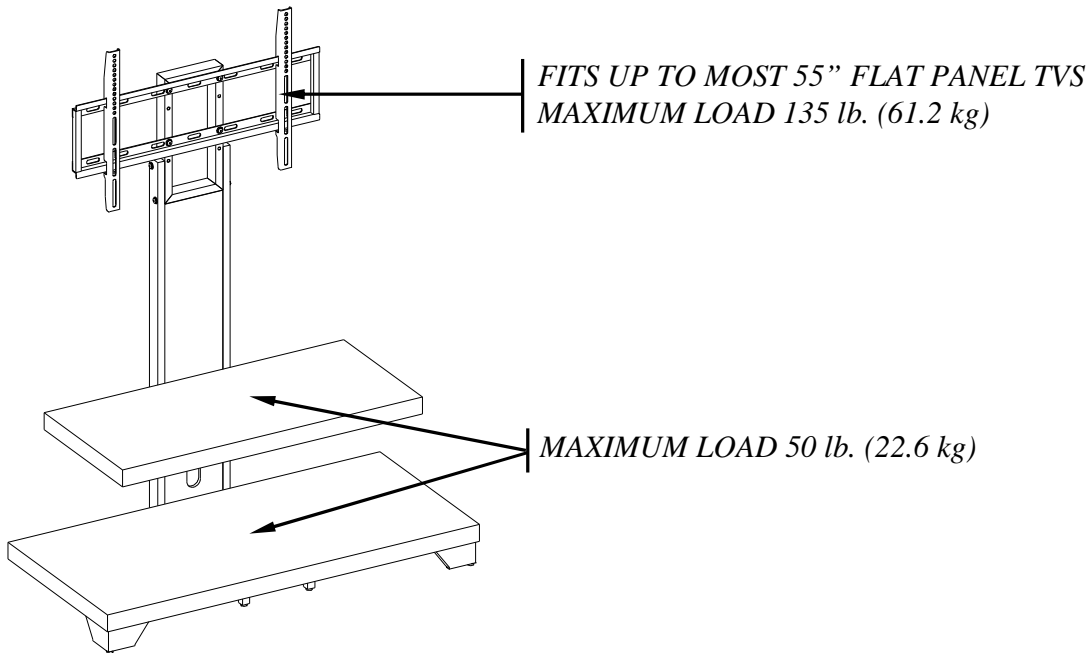
Or e-mail your request to **parts@whalenfurniture.com**

**THIS INSTRUCTION BOOKLET CONTAINS IMPORTANT SAFETY INFORMATION.
PLEASE READ AND KEEP FOR FUTURE REFERENCE.**

Date 2017-06-30 Rev. 0001-B Factory: FOCIDI

MAXIMUM RECOMMENDED WEIGHT LOADS

MANUFACTURER: Whalen Furniture Manufacturing
CATALOGUE: 50" Flat Panel TV Stand (PROL-36)
MADE IN CHINA



⚠ WARNING

THIS UNIT IS NOT INTENDED FOR USE WITH CRT TVS. USE ONLY WITH FLAT PANEL TVS AND AUDIO/VIDEO EQUIPMENT MEETING RECOMMENDED SIZE AND WEIGHT LIMITS. NEVER USE WITH LARGER/HEAVIER THAN RECOMMENDED FLAT PANEL TVS OR EQUIPMENT. TO AVOID INSTABILITY, PLACE FLAT PANEL TV IN THE CENTER OF THE UNIT; THE BASE OF THE TELEVISION MUST BE ABLE TO REST ON THE SUPPORTING SURFACE OF THE UNIT WITHOUT OVER-HANGING THE EDGES. IMPROPERLY POSITIONED FLAT PANEL TVS, OR FLAT PANEL TVS INCLUDING OTHER EQUIPMENT THAT EXCEED RECOMMENDED SIZE AND WEIGHT LIMITS COULD FALL OFF OR BREAK THE UNIT, CAUSING POSSIBLE SERIOUS INJURY.

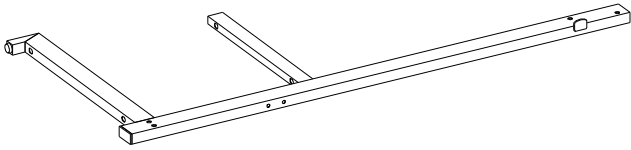
GENERAL INFORMATION, TIPS AND TRICKS

1. Please read the Assembly Instructions prior to assembling this product.
2. Remove all hardware from the box and sort by size.
3. Check to see that all hardware and parts are present BEFORE assembling.
4. Ask a friend to assist you with the assembly of this furniture.
5. To avoid damage, assemble the product on a sturdy, level and protective surface.
6. Please wait until all steps are completed before fully tightening bolts.
7. Make sure all bolts are tightly fastened before the unit is used.

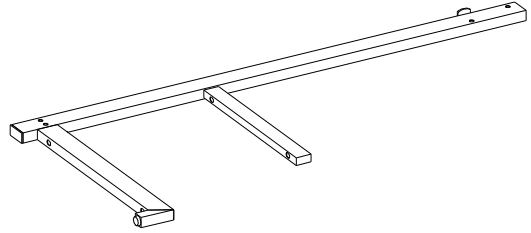
This product is sold with one set of Tipping Restraint Hardware Kit. You must install the Tipping Restraint Hardware between the wall and the TV console to prevent any accidents or damages. When properly installed, this restraint can provide protection against the unexpected tipping of the unit due to small tremors, bumps or climbing. The restraint is only a deterrent and is not a substitute for proper adult supervision. Use of tip-over restraints may only reduce, but not eliminate, the risk of tip-over.

Parts and Hardware List

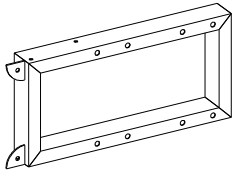
Please read completely through the instructions and verify that all listed parts and hardware are present before beginning assembly.



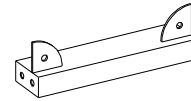
A- Left Side Frame (Qty. 1)



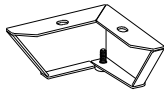
B- Right Side Frame (Qty. 1)



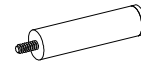
C- Back Top Frame (Qty. 1)



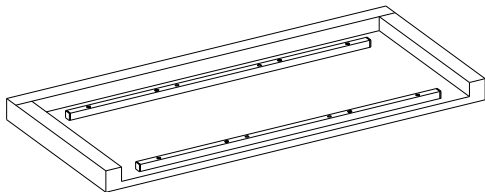
D- Back Bottom Stretcher (Qty. 1)



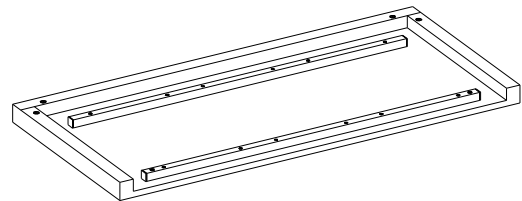
E- Bottom Front Support
(Qty. 2)



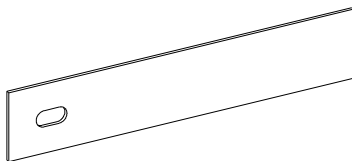
F- Bottom Back Support
(Qty. 2)



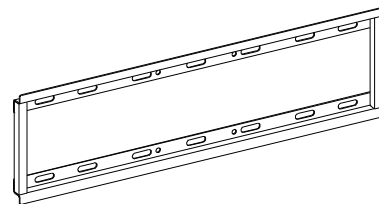
G- Top Shelf (Qty. 1)



H- Bottom Shelf (Qty. 1)



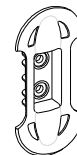
I- Back Panel (Qty. 1)



J- Mounting Frame (Qty. 1)

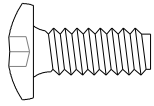


K- Monitor Bracket (Qty. 2)

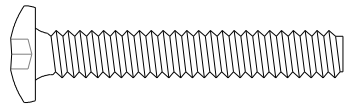


L- Cable Wheel (Qty. 2)

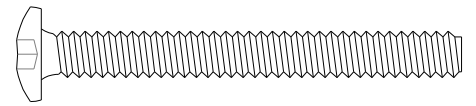
Parts and Hardware List



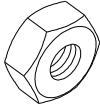
(1) 5/8" Bolt
(Qty. 8+1 extra)



(2) 1-5/8" Bolt
(Qty. 12+1 extra)



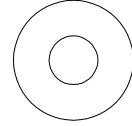
(3) 2-1/4" Bolt
(Qty. 8+1 extra)



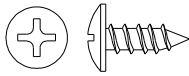
(4) Hex Nut
(Qty. 4+1 extra)



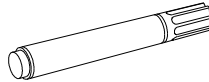
(5) Lock Washer
(Qty. 24+1 extra)



(6) Flat Washer
(Qty. 28+1 extra)



(7) #4 x 10 mm Screw (Qty. 4+1 extra)



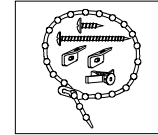
Touch-up Pen (Qty. 1)



Open Wrench (Qty. 1)

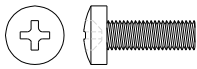


4 mm Hex Wrench (Qty. 2)



Tipping Restraint Hardware Kit (Qty. 1)
(Inside Plastic Bag)

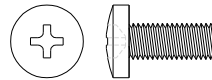
TV Mounting Kit



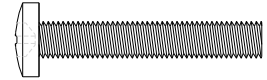
M4 x 12 Bolt (Qty. 4)



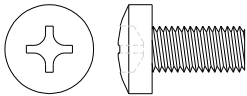
M4 x 30 Bolt (Qty. 4)



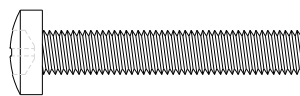
M5 x 12 Bolt (Qty. 4)



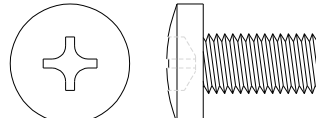
M5 x 30 Bolt (Qty. 4)



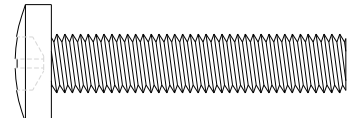
M6 x 12 Bolt (Qty. 4)



M6 x 35 Bolt (Qty. 4)



M8 x 16 Bolt (Qty. 4)



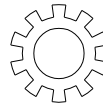
M8 x 40 Bolt (Qty. 4)



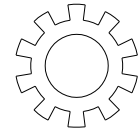
M4 Lock Washer
(Qty. 4)



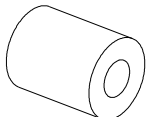
M5 Lock Washer
(Qty. 4)



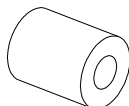
M6 Lock Washer
(Qty. 4)



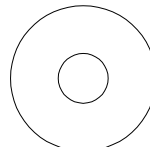
M8 Lock Washer
(Qty. 4)



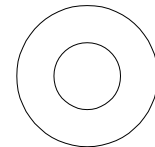
Large Spacer
(Qty. 4)



Small Spacer
(Qty. 4)



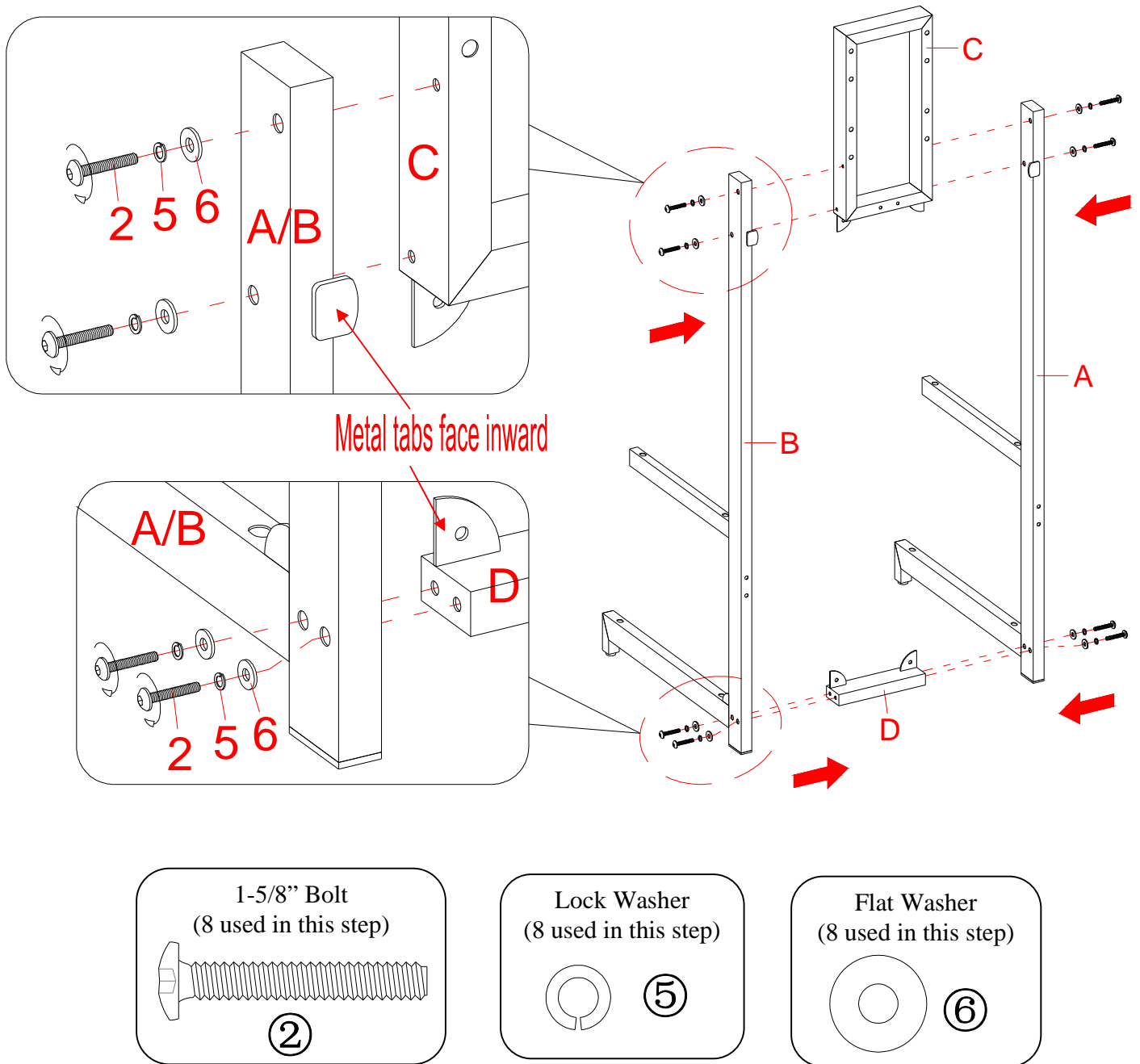
M4/M5 Flat Washer
(Qty. 8)



M6/M8 Flat Washer
(Qty. 4)

Tools required: Hex wrench, open wrench (provided) and Phillips screwdriver (not provided).

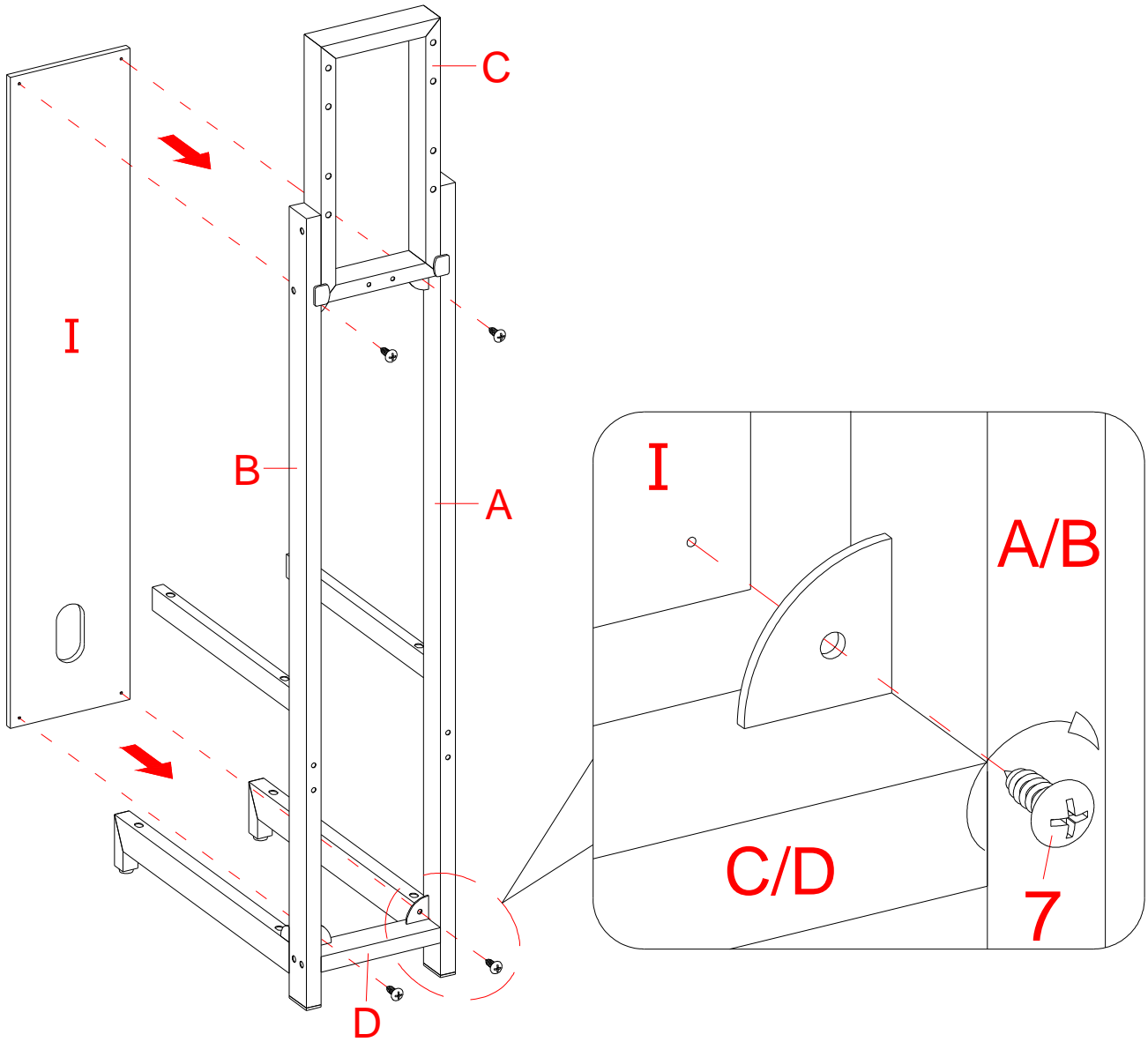
Assembly Instructions



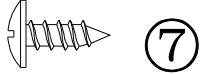
NOTE: Please do not fully tighten all bolts until you finish assembling all parts. Once assembled, go back and fully tighten all bolts. This will make it easier during assembly of unit.

1. Unpack the unit and confirm that you have all the hardware and required parts.
2. Attach Back Top Frame (C) and Back Bottom Stretcher (D) between the Left and Right Side Frames (A and B). Make sure that the metal brackets on the Back Bottom Stretcher (D) face up and point forward. Tighten the bolts with the enclosed hex wrench.

Assembly Instructions

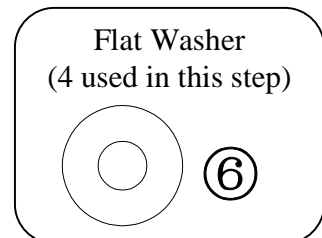
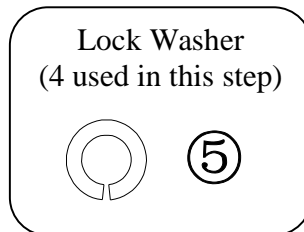
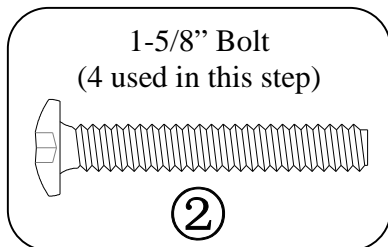
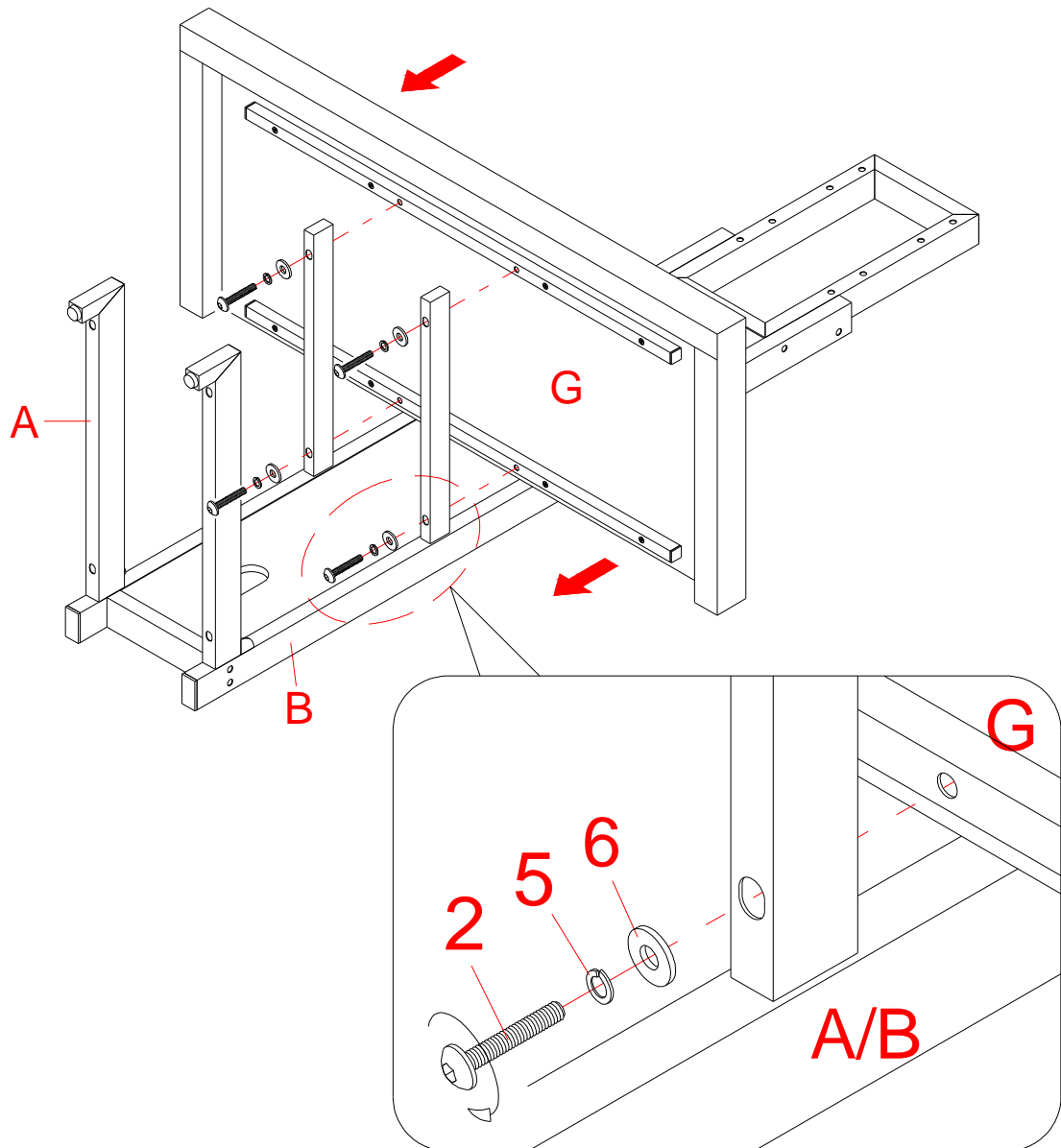


#4 x 10 mm Screw
(4 used in this step)



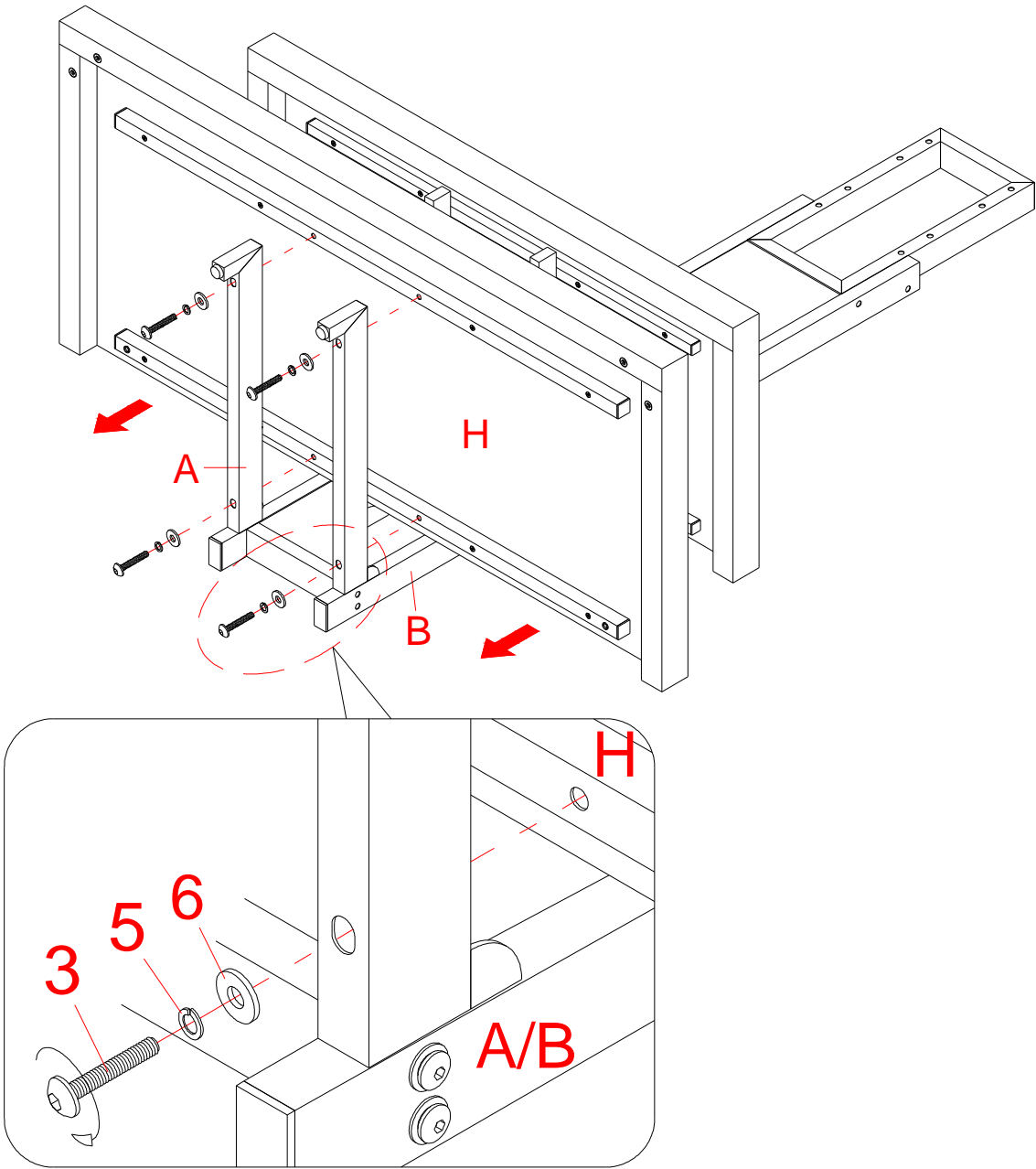
3. Pick up the Back Panel (I) and fit it between the front of Left and Right Side Frames (A and B). Insert and screw four Screws (7) through the corner brackets to secure the Back Panel in place. Tighten the screws with a Phillips screwdriver.

Assembly Instructions



4. Lay the previous assembly down on a level and protective surface as shown.
5. Attach the Top Shelf (G) to the upper rails of Left and Right Side Frames (A and B) with four 1-5/8" Bolts (2) and four Washers (5 and 6).

Assembly Instructions



2-1/4" Bolt
(4 used in this step)

③

Lock Washer
(4 used in this step)

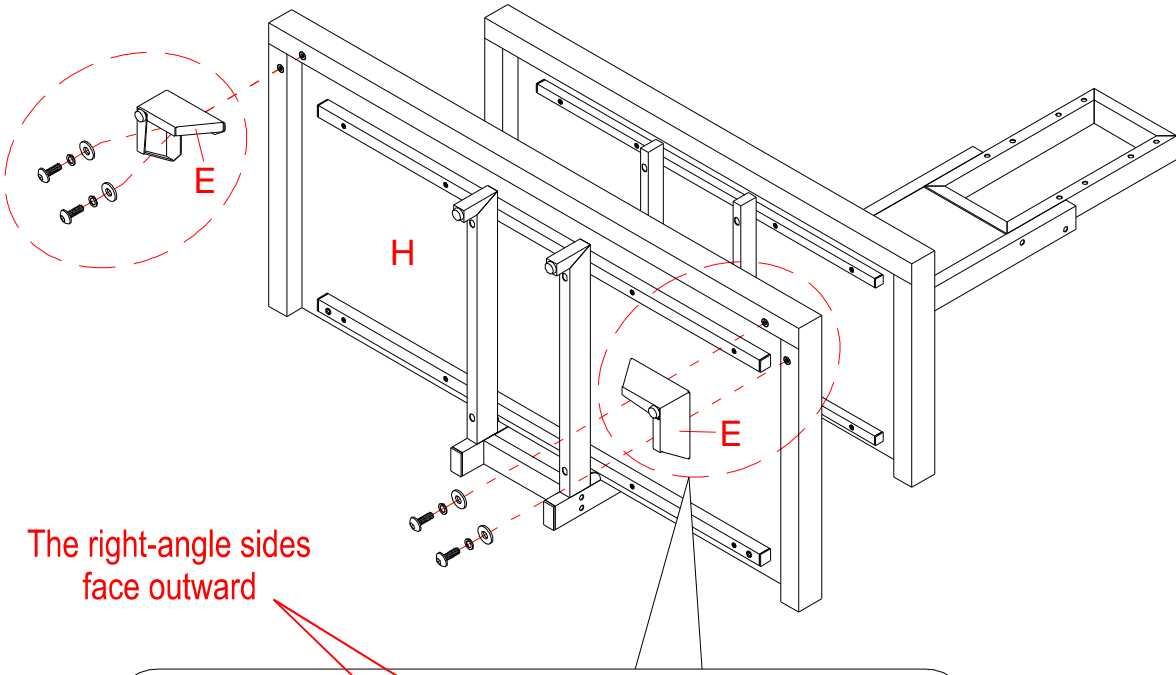
⑤

Flat Washer
(4 used in this step)

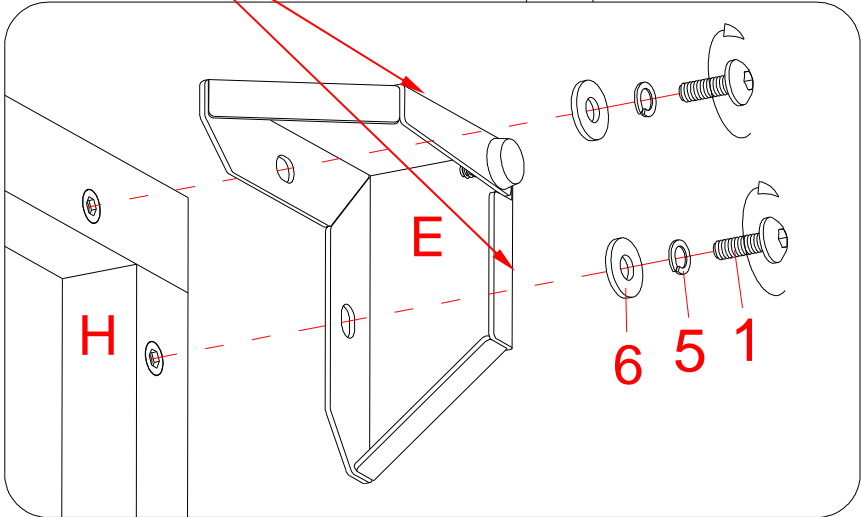
⑥

6. Align and attach the Bottom Shelf (H) to the bottom rails of Left and Right Side Frames (A and B) with four 2-1/4" Bolts (3) and four Washers (5 and 6).

Assembly Instructions



The right-angle sides
face outward



5/8" Bolt
(4 used in this step)

①

Lock Washer
(4 used in this step)

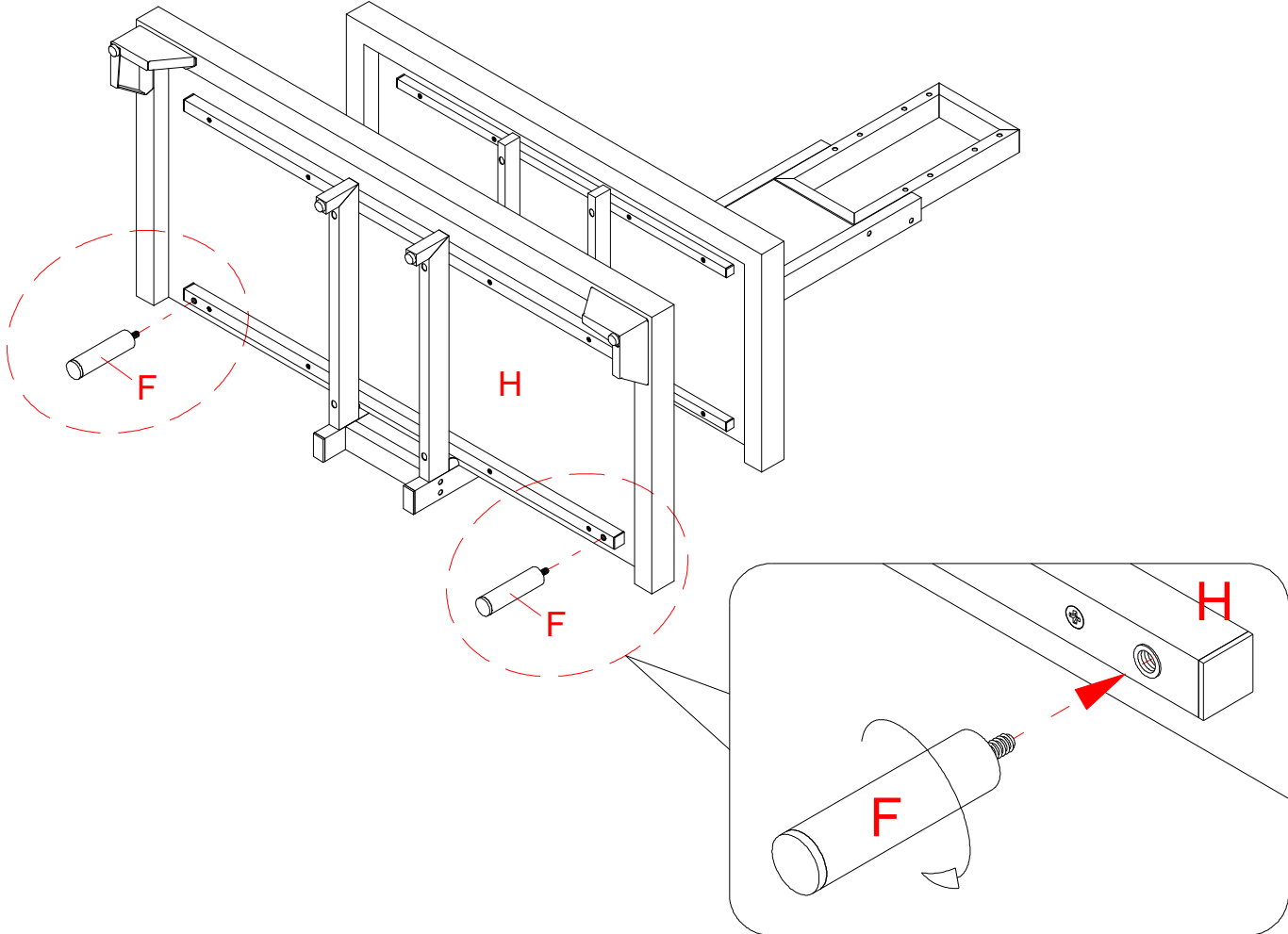
⑤

Flat Washer
(4 used in this step)

⑥

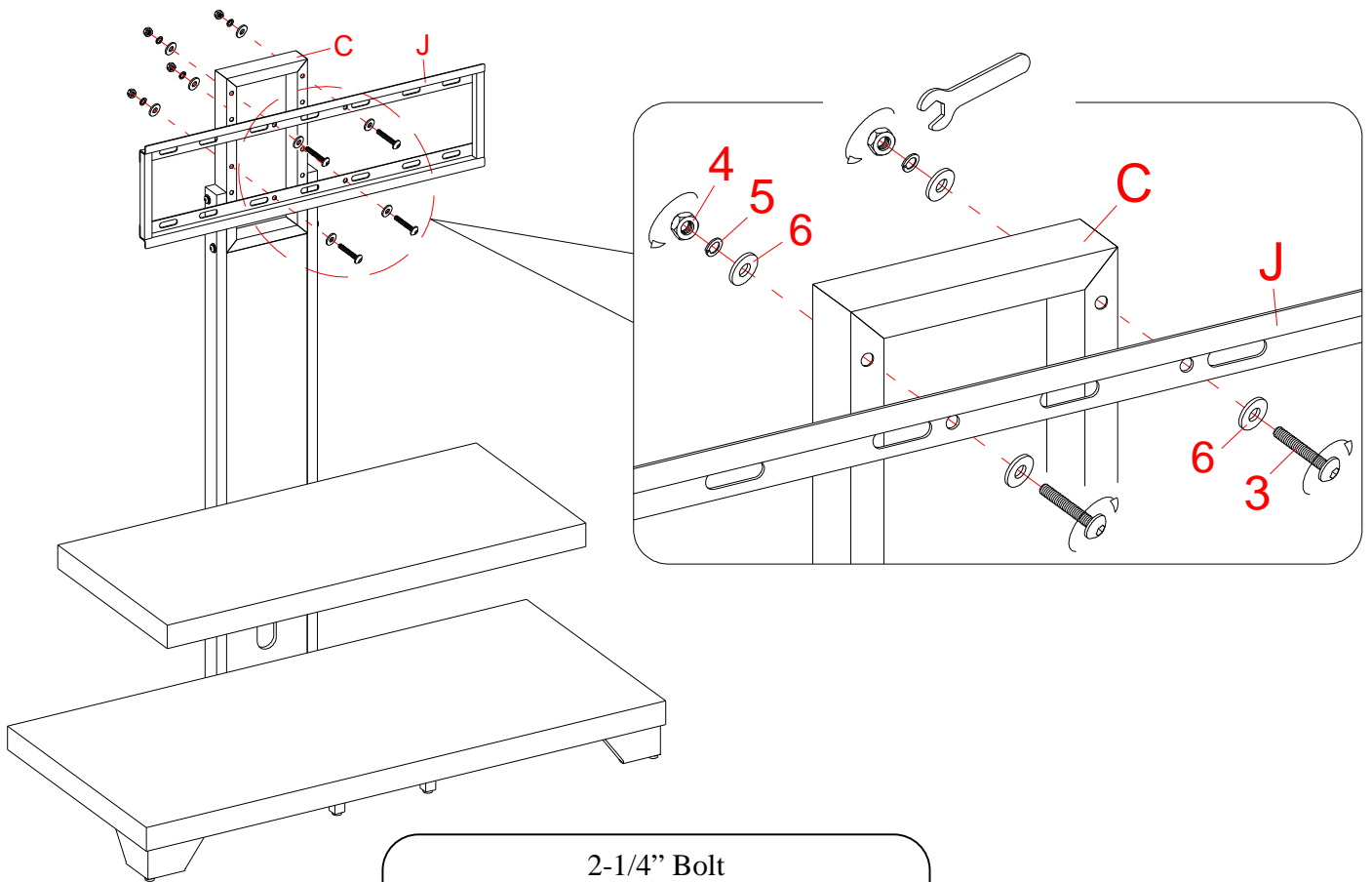
- 7. Attach the Bottom Front Supports (E) to the Bottom Shelf (H) with four 5/8" Bolts (1) and four Washers (5 and 6) as shown.

Assembly Instructions

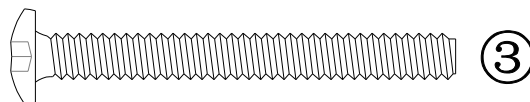


- 8. Securely screw 2 Bottom Back Supports (F) into the threaded sockets on the back rail of the Bottom Shelf (H).

Assembly Instructions



2-1/4" Bolt
(4 used in this step)



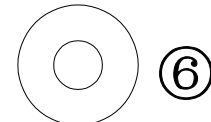
Hex Nut
(4 used in this step)



Lock Washer
(4 used in this step)



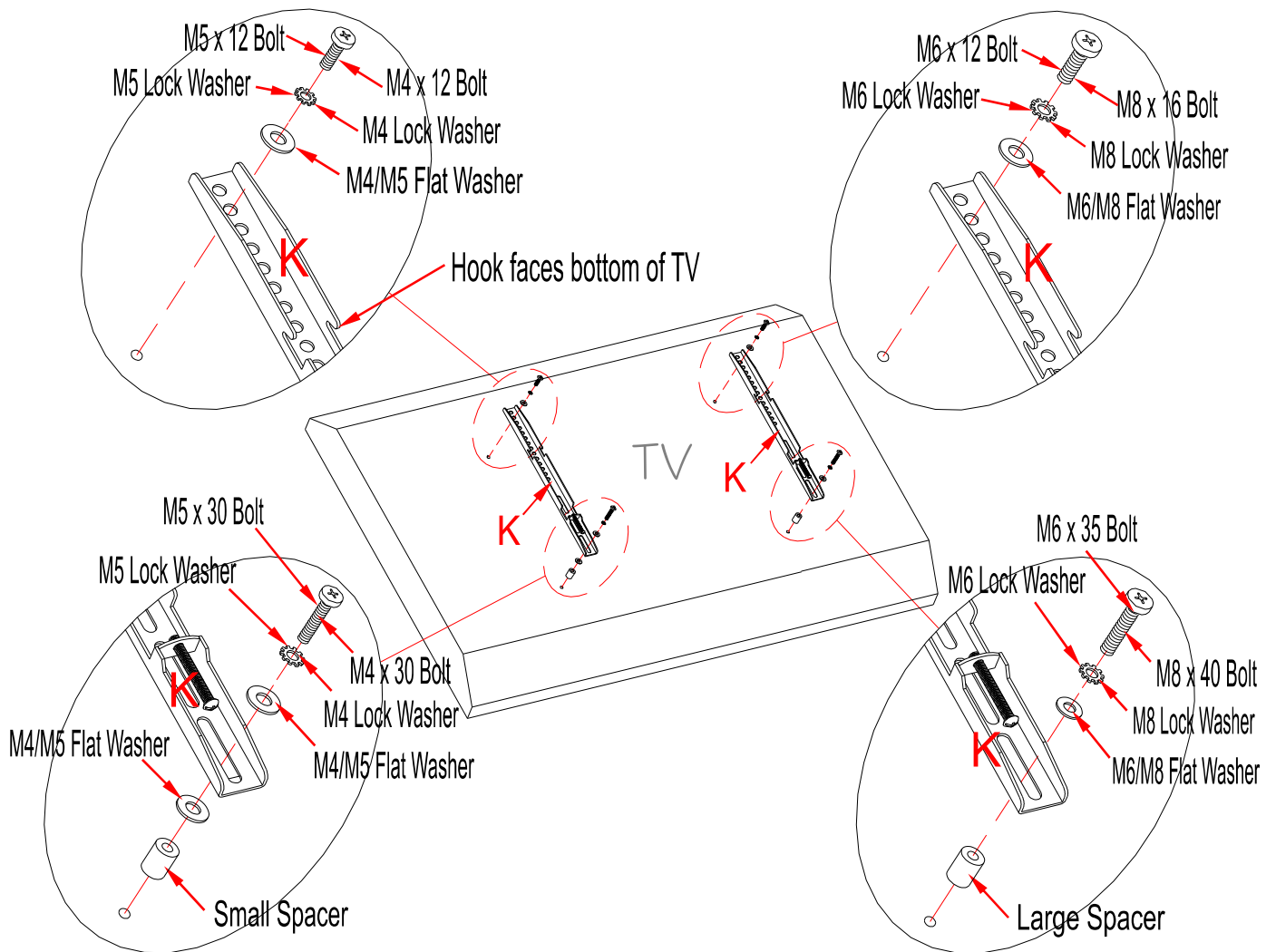
Flat Washer
(8 used in this step)



9. Stand the unit upright.

10. Attach the Mounting Frame (J) to the Back Top Frame (C) with four 2-1/4" Bolts (3) and Washers and then secure with the Hex Nuts (4). Securely tighten with the provided open wrench and hex wrench.

Mounting the Monitor Bracket to a television with a flat back

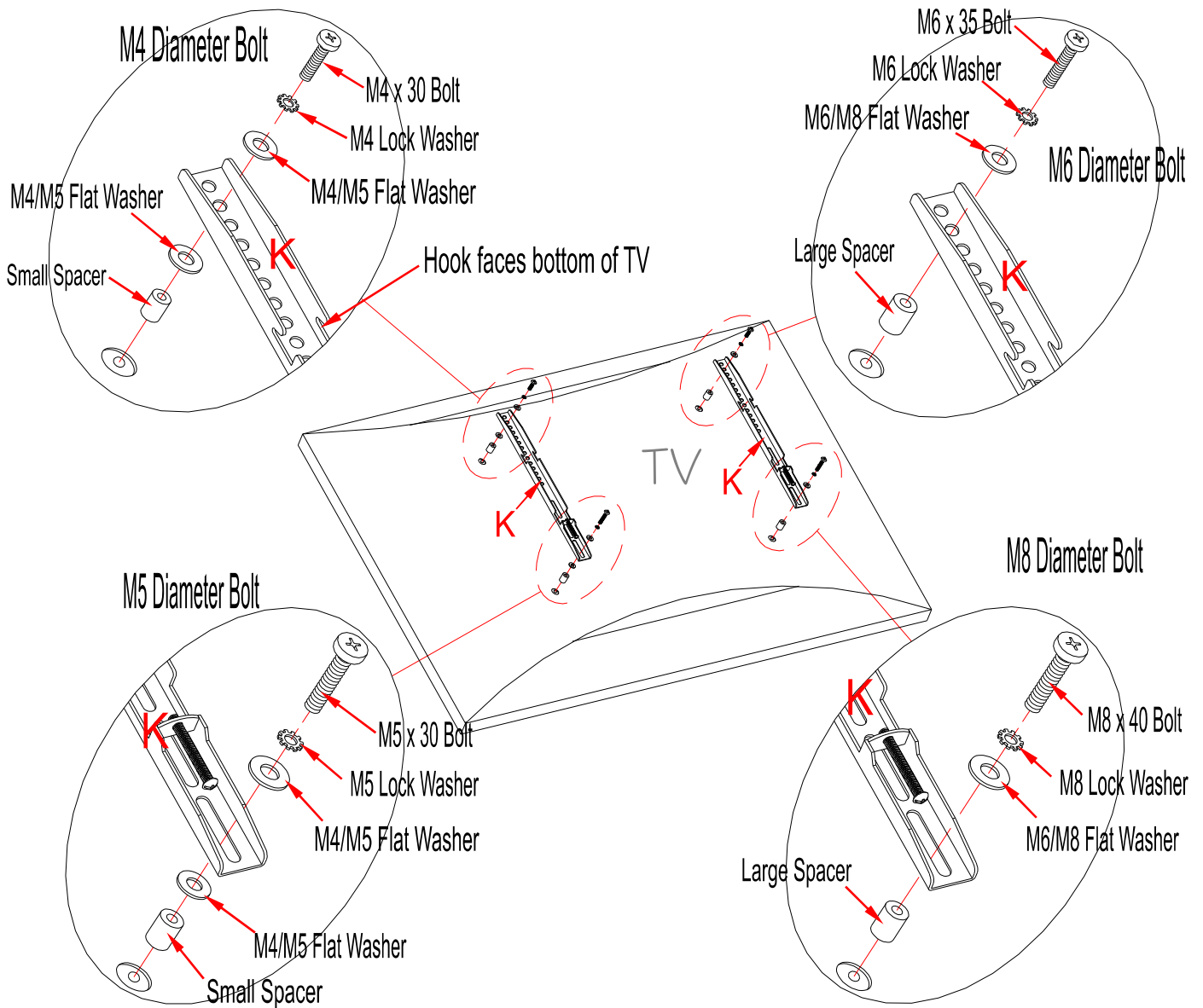


NOTE: For televisions with a curved or recessed back, proceed directly to step #13.

11. Determine the correct diameter of the bolt your TV requires by hand threading them into the threaded inserts on the back of the TV. If you encounter any resistance, stop immediately. If you are unable to find the correct bolt consult a local hardware store.
12. Follow the appropriate diagram above to attach Monitor Brackets (K) to the back of your TV with the selected fasteners. Make sure the Monitor Brackets are centered and level with each other. Secure the bolts with a Phillips screwdriver. **DO NOT** over tighten the bolts.

NOTE: Lean the TV up against a wall or other solid surface when attaching with the Monitor Brackets. **DO NOT** place the TV face down on the glass this may cause permanent damage.

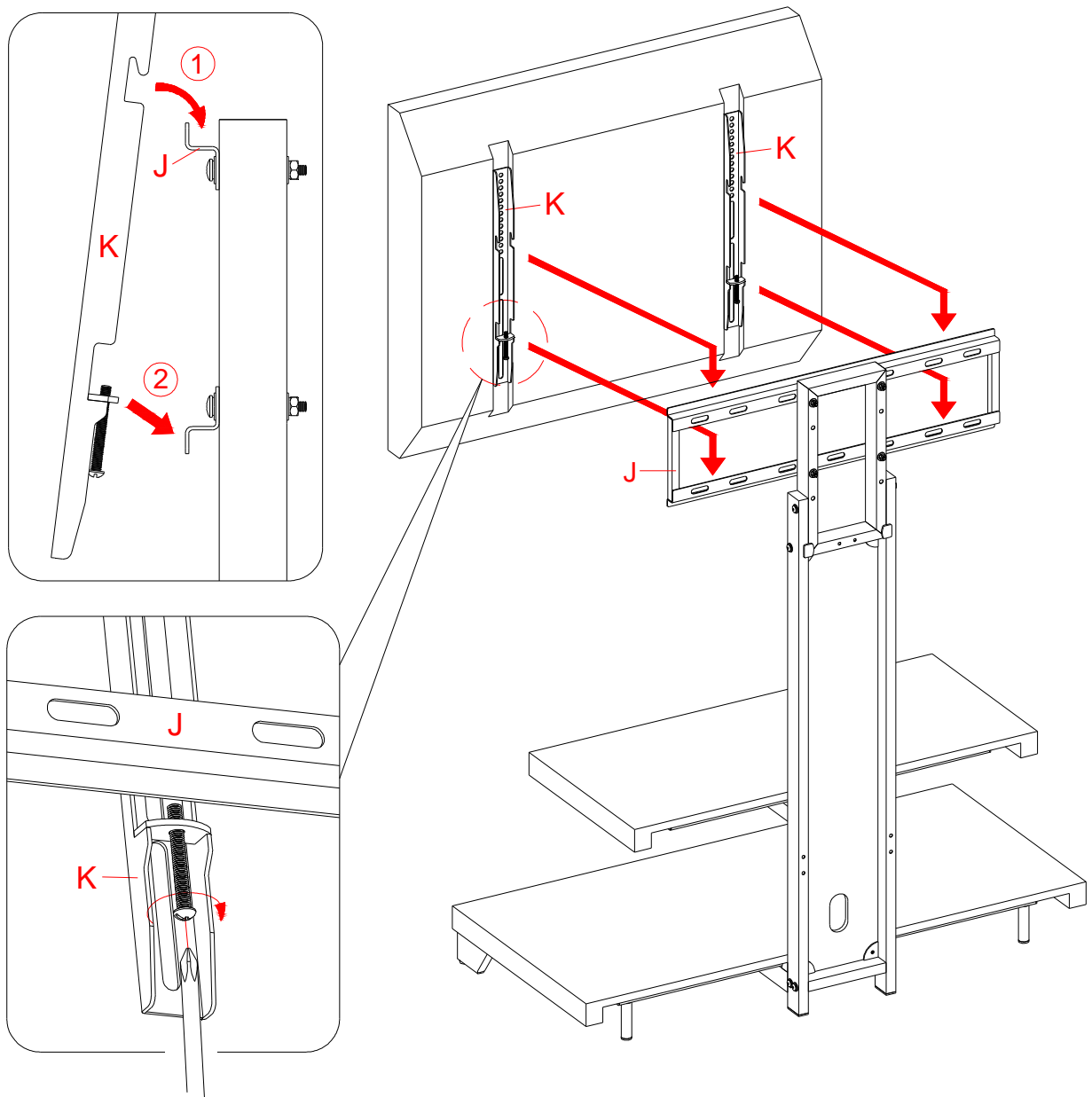
Mounting the Monitor Bracket to a television with a curved / recess back



- Determine the correct diameter of the bolt your TV requires by hand threading them into the threaded insert on the back of the TV. If you encounter any resistance, stop immediately. If you are unable to find the correct bolt consult a local hardware store.
- Follow the appropriate diagram above to attach Monitor Brackets (K) to the back of your TV with the selected fasteners. Make sure the Monitor Brackets are vertically centered and level with each other. Secure the bolts with a Phillips screwdriver. **DO NOT** over tighten the bolts.

NOTE: Lean the TV up against a wall or other solid surface when attaching with the Monitor Brackets. **DO NOT** place the TV face down on the glass this may cause permanent damage.

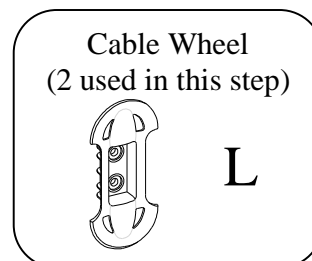
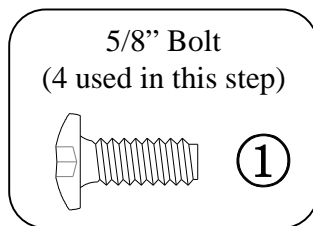
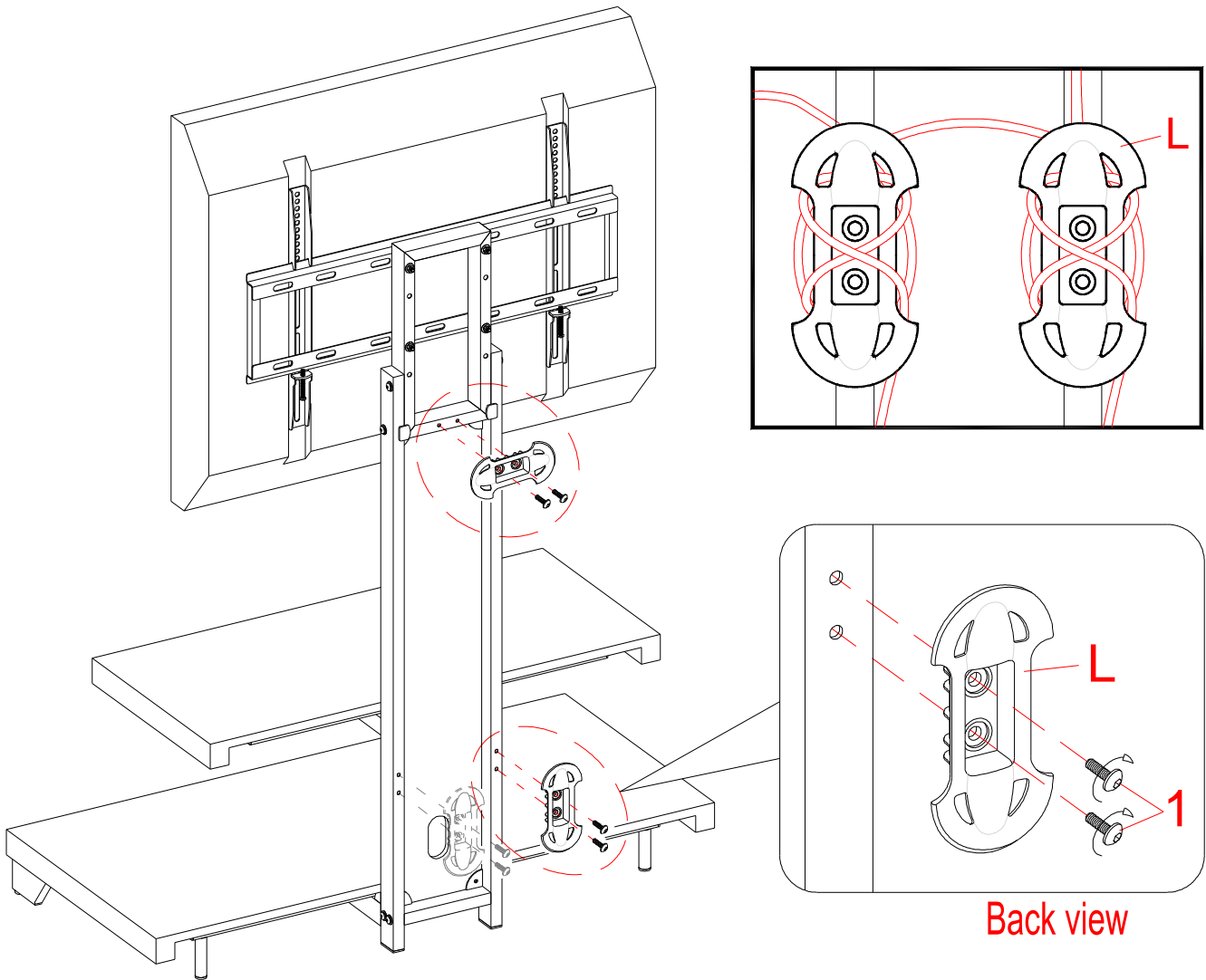
Assembly Instructions



Tighten until safety bolt hits the underside of the Mounting Frame

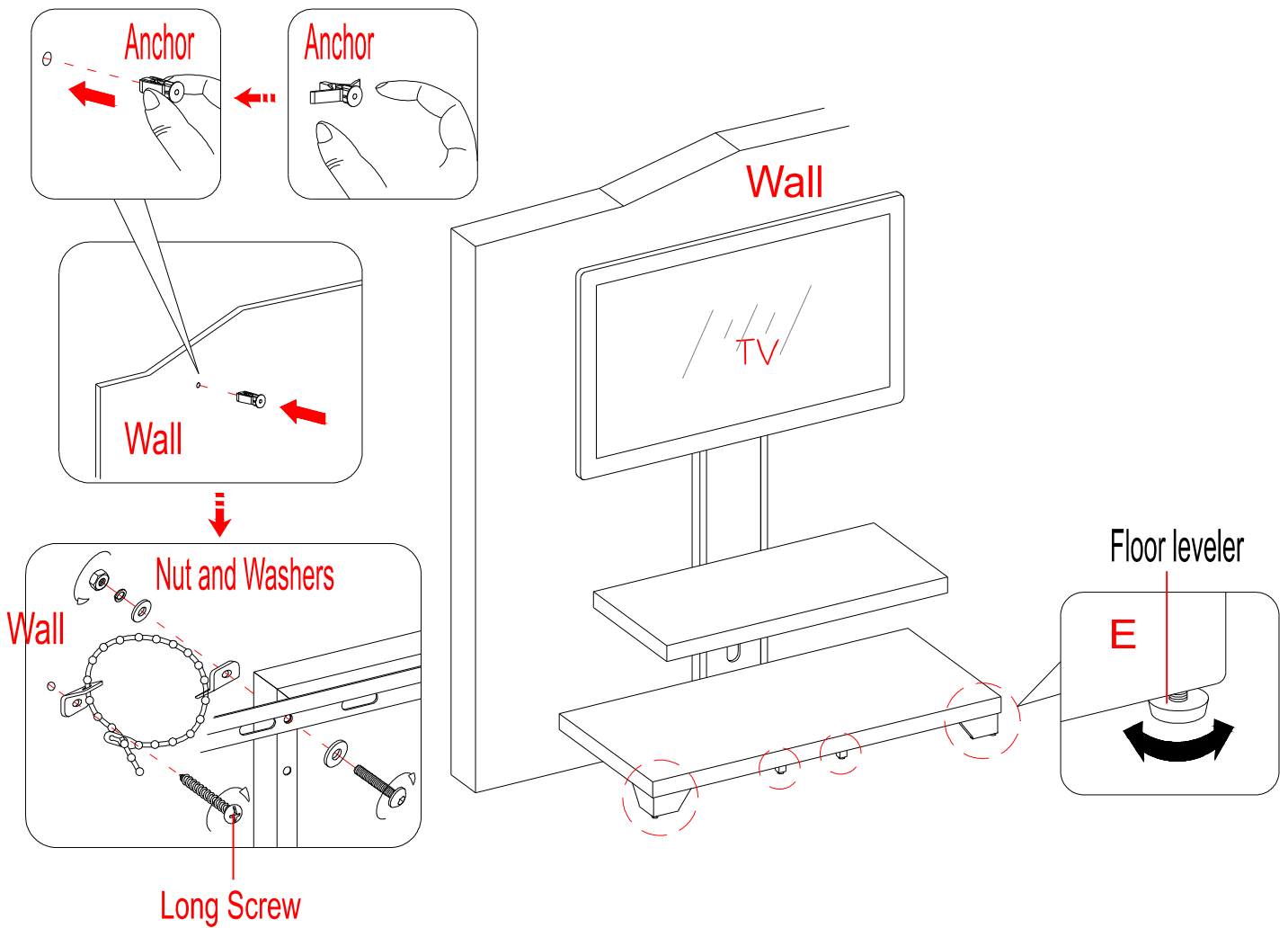
15. Once the Monitor Brackets (K) are attached onto the back of television, ask for assistance to lift the television up to attach the Monitor Brackets onto the Mounting Frame (J). Set the hooks on Monitor Brackets over the Mounting Frame then lower them onto the bars of the Mounting Frame. Loosen the pre-attached Safety Bolts on the Monitor Brackets to ensure an easy fit at the bottom hooks. Proceed to center the television.

Assembly Instructions



16. Attach 2 Cable Wheels (L) to the backside of the assembled unit with the 5/8" Bolts (1). Tighten the bolts with the provided hex wrench.
17. The Cable Wheels (L) enable you to shorten, separate and route cables and cords. Using the Cable Wheels you can create a system for routing cables through channels, between components and to power sources without tangled mess or annoying signal interference.

Assembly Instructions



Tools required: Hex wrench (provided), Phillips screwdriver, Mallet, Power Drill, and 3/8" Drill Bit.

18. Adjust the pre-attached Floor Levelers at the bottom of console to level the unit. As shown.

19. Carefully move the console and position it at the desired location against a wall. Now, follow the instructions printed on the plastic bag containing Tipping Restraint Hardware to mount the Tip-over Restraint to the console and the wall.

NOTE: You must install the Tipping Restraint Hardware with the unit to prevent the unit from tipping, causing any accidents or damage to the unit.

20. The console is now ready for use.

Care and Maintenance

- Use a soft, clean cloth that will not scratch the surface when dusting.
- Use of furniture polish is not necessary. Should you choose to use polish, test first in an inconspicuous area.
- Using solvents of any kind on your furniture may damage the finish.
- Never use water to clean your furniture as it may cause damage to the finish.
- Always use coasters under beverage glasses and flowerpots.
- Liquid spills should be removed immediately. Using a soft, clean cloth, blot the spill gently. Avoid rubbing.
- Always use protective pads under hot dishes and plates. Heat can cause chemical changes that may create spotting within the furniture finish.
- In the event that your furniture is stained or otherwise damaged during use, we recommend that you call a professional to repair your furniture.
- Check bolts/screws periodically and tighten them if necessary.

Further Advice about Furniture Care

It is best to keep your furniture in a climate-controlled environment. Extreme temperature and humidity changes can cause fading, warping, shrinking and splitting of wood. It is advised to keep furniture away from direct sunlight as sun may damage the finish.

Proper care and cleaning at home will extend the life of your purchase. Following these important and helpful tips will enhance your furniture as it ages.

A touch-up pen has been provided to minimize the small nicks or scratches that may occur during assembly or shipping.

We hope you enjoy your purchase for many years.
Thank you for your purchase!

QUALITY GUARANTEE

We are confident that you will be delighted with your Whalen Furniture purchase.

Should this product be defective in workmanship or materials or fail under normal use, we will repair or replace it for up to one (1) year from date of purchase. Every Whalen Furniture product is designed to meet your highest expectations. We guarantee that you will immediately see the value of our fine furniture.

This warranty gives you specific legal rights and you may also have other rights which vary from state to state or province to province.

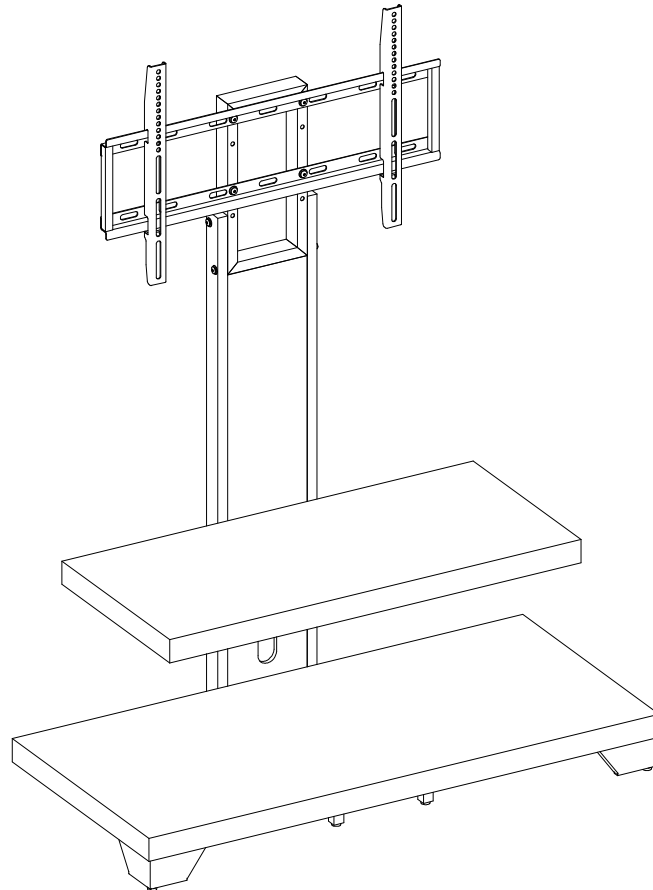
Customer Service: 866-942-5362
8:30 a.m. - 4:30 p.m., PST, Monday to Friday
www.whalenstyle.com



LOTE NÚMERO: _____
FECHA DE COMPRA: __/__/__

Consola para TV de pantalla plana de 50"

Serie # PROL-36



ENSAMBLE REQUERIDO POR ADULTO

Si tiene alguna pregunta acerca del ensamble o si alguna parte está faltante, no retorne este producto a la tienda donde lo compró. Por favor llame a nuestro departamento de ayuda al cliente teniendo su instructivo y lista de partes para proveer el modelo, nombre de parte o el número de fábrica:

866-942-5362

Hora Estándar del Pacífico: 8:30 a.m. - 4:30 p.m., de Lunes a Viernes

O visite nuestra página de Internet 24 horas al día, 7 días de la semana para ayuda en su producto en:

www.whalenstyle.com

O mande un correo electrónico a **parts@whalenfurniture.com**

**ESTE INSTRUCTIVO CONTIENE INFORMACIÓN IMPORTANTE DE SEGURIDAD.
POR FAVOR LEA Y MANTENGA EL INSTRUCTIVO PARA USO FUTURO**

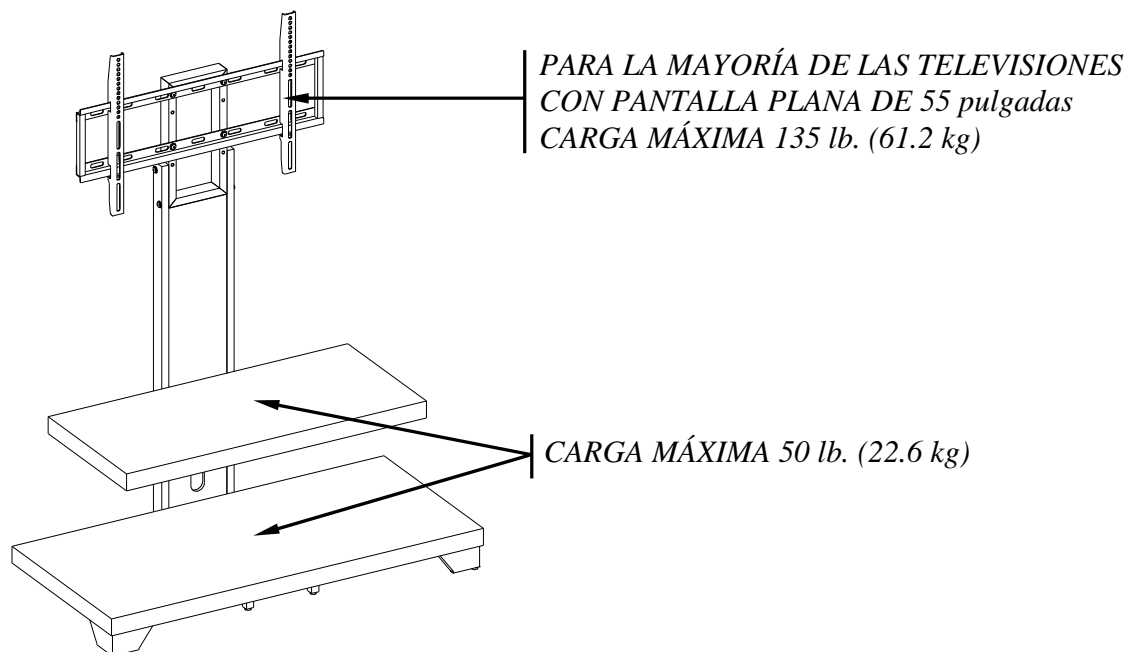
Fecha 2017-06-30 Rev. 0001-B Fábrica: FOCIDI

PESOS MÁXIMOS RECOMENDADOS

FABRICANTE: Whalen Furniture Manufacturing

CATALOGO: Consola para TV de pantalla plana de 50" (PROL-36)

HECHO EN CHINA



ADVERTENCIA

ESTA UNIDAD NO DEBE UTILIZARSE CON TELEVISIONES CRT O DE TUBO. UTILIZARSE ÚNICAMENTE CON TELEVISIONES DE PANTALLA PLANA Y EQUIPO DE AUDIO/VIDEO QUE TENGA LA MEDIDA/PESO RECOMENDADO. NUNCA UTILIZAR CON TELEVISIONES MÁS GRANDES/PESADAS DE LAS RECOMENDADAS. PARA EVITAR INESTABILIDAD COLÓQUELA EN EL CENTRO DE LA UNIDAD; LA BASE DE LA TELEVISIÓN DEBE DE REPOSAR SOBRE LA SUPERFICIE DE SOPORTE DE LA UNIDAD SIN REBASAR LAS ORILLAS. LAS TELEVISIONES DE PANTALLA PLANA COLOCADAS INAPROPIADAMENTE, O LAS TELEVISIONES DE PANTALLA PLANA INCLUYENDO EQUIPO QUE SOBREPASA LAS MEDIDAS Y PESOS RECOMENDADOS PUEDEN CAERSE Y/O ROMPER LA UNIDAD, CAUSANDO POSIBLES DAÑOS O LESIONES.

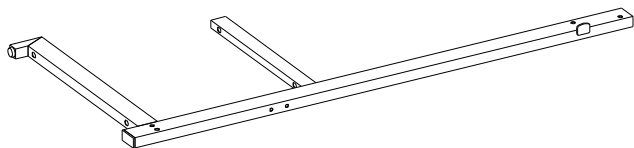
INFORMACION GENERAL, RECOMENDACIONES Y TRUCOS

1. Por favor lea el instructivo antes de comenzar el ensamble.
2. Remover todo el herraje de la caja y acomodar por medida.
3. Checar que todo el herraje y partes esten completos ANTES de comenzar el ensamble.
4. Pida ayuda a un amigo para ensamblar esta unidad.
5. Para evitar daños, ensamble esta unidad en una area libre, limpia y nivelada.
6. Espere que todos los pasos se terminen antes de apretar todos los tornillos completamente.
7. Asegurese que todos los tornillos esten bien apretados antes de utilizar al unidad.

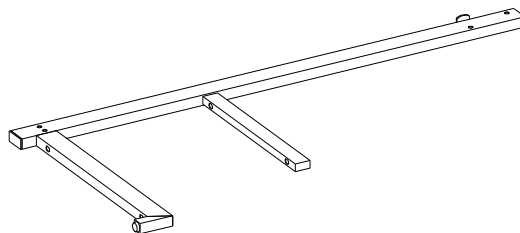
Este producto se vende con un juego de restricción de movimiento. Usted debe instalar este juego de restricción de movimiento entre su pared y la consola para prevenir accidentes o daños. Cuando se instala apropiadamente, este puede proteger contra caída inesperadas de la consola debido a temblores, golpes o en caso de subirse en ella. Este Juego sirve solo como un sujetador y no sustituye la supervisión por parte de un adulto. El uso de este tipo de sujetadores pueden prevenir, pero no eliminar la posibilidad de que la unidad se caiga o se incline.

Lista de Partes y Artículos de Ferrería

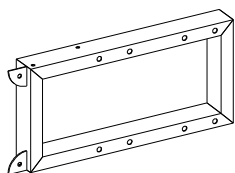
Por favor lea completamente las instrucciones y verifique que estén todas las partes antes de iniciar el ensamble.



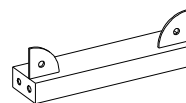
A- Marco lateral izquierdo (Cant. 1)



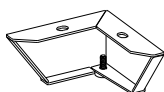
B- Marco lateral derecho (Cant. 1)



C- Marco posterior (Cant. 1)



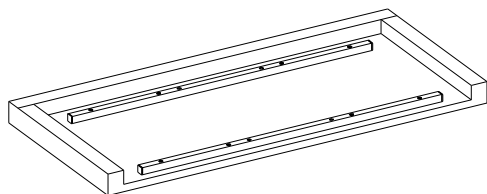
D- Soporte inferior posterior (Cant. 1)



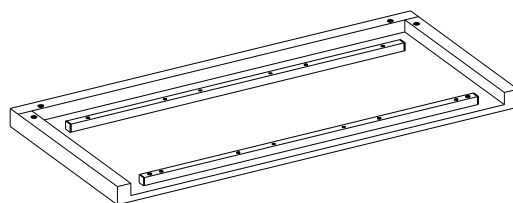
E- Soporte frontal inferior
(Cant. 2)



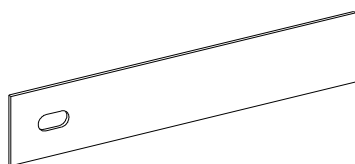
F- Soporte inferior
(Cant. 2)



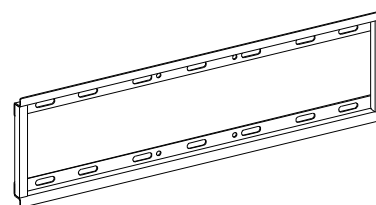
G- Repisa superior (Cant. 1)



H- Repisa inferior (Cant. 1)



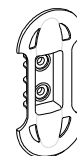
I- Panel posterior (Cant.1)



J- Marco de montaje (Cant. 1)

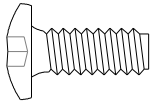


K- Soporte de monitor (Cant. 2)

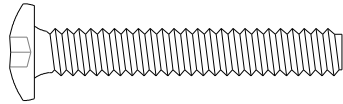


L- Guía para cables (Cant. 2)

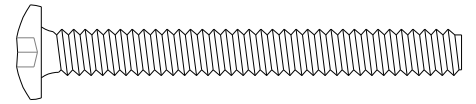
Lista de Partes y Artículos de Ferretería



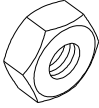
(1) Tornillo de 5/8"
(Cant. 8+1 extra)



(2) Tornillo de 1-5/8"
(Cant. 12+1 extra)



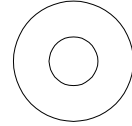
(3) Tornillo de 2-1/4"
(Cant. 8+1 extra)



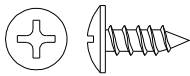
(4) Tuerca hexagonal
(Cant. 4+1 extra)



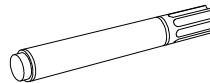
(5) Arandela de presión
(Cant. 24+1 extra)



(6) Arandela plana
(Cant. 28+1 extra)



(7) Tornillo de #4 x 10 mm (Cant. 4+1 extra)



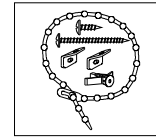
Plumón de retoque (Cant. 1)



Llave española (Cant. 1)

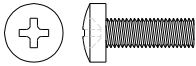


Llave hexagonal de 4 mm (Cant. 2)



Juego de restricción de movimiento (Cant. 1)
(Dentro bolsa de plástico)

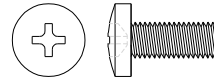
Juego de Montaje



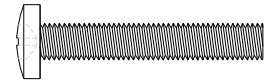
Tornillo de 4x12 mm (4)



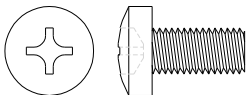
Tornillo de 4x30 mm (4)



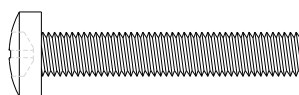
Tornillo de 5x12 mm (4)



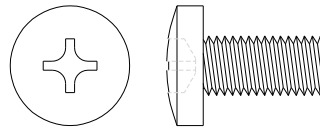
Tornillo de 5x30 mm (4)



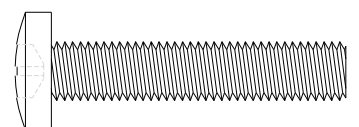
Tornillo de 6x12 mm (4)



Tornillo de 6x35 mm (4)



Tornillo de 8x16 mm (4)



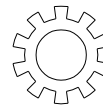
Tornillo de 8x40 mm (4)



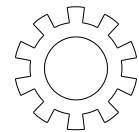
Arandela de presión de 4 mm
(4)



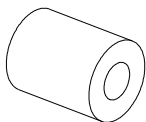
Arandela de presión de 5 mm
(4)



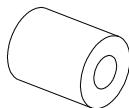
Arandela de presión de 6 mm
(4)



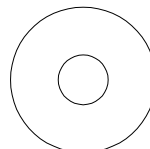
Arandela de presión de 8 mm
(4)



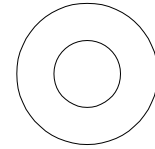
Espaciador Largo(4)



Espaciador Corto (4)



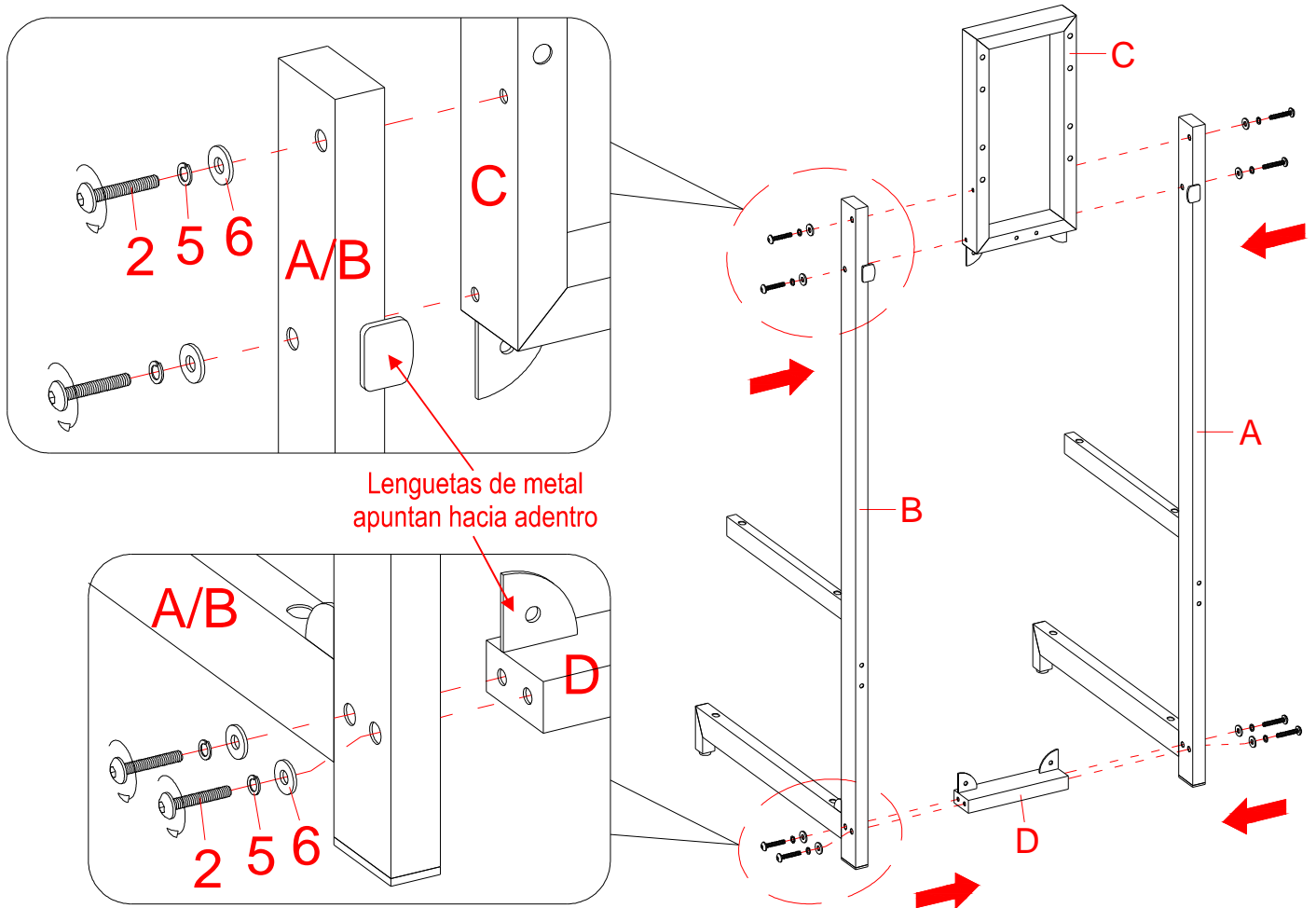
Arandela Plana de 4/5 mm (8)



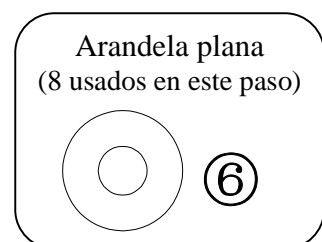
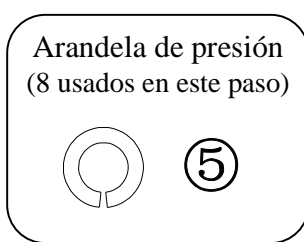
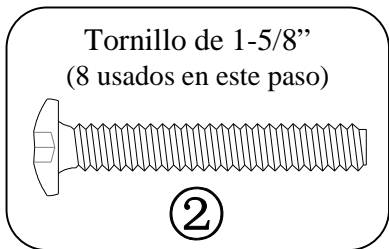
Arandela Plana de 6/8 mm (4)

Herramientas requeridas: Llave hexagonal, llave española (proveida) y desarmador estrella (no proveido).

Instrucciones de Ensamble



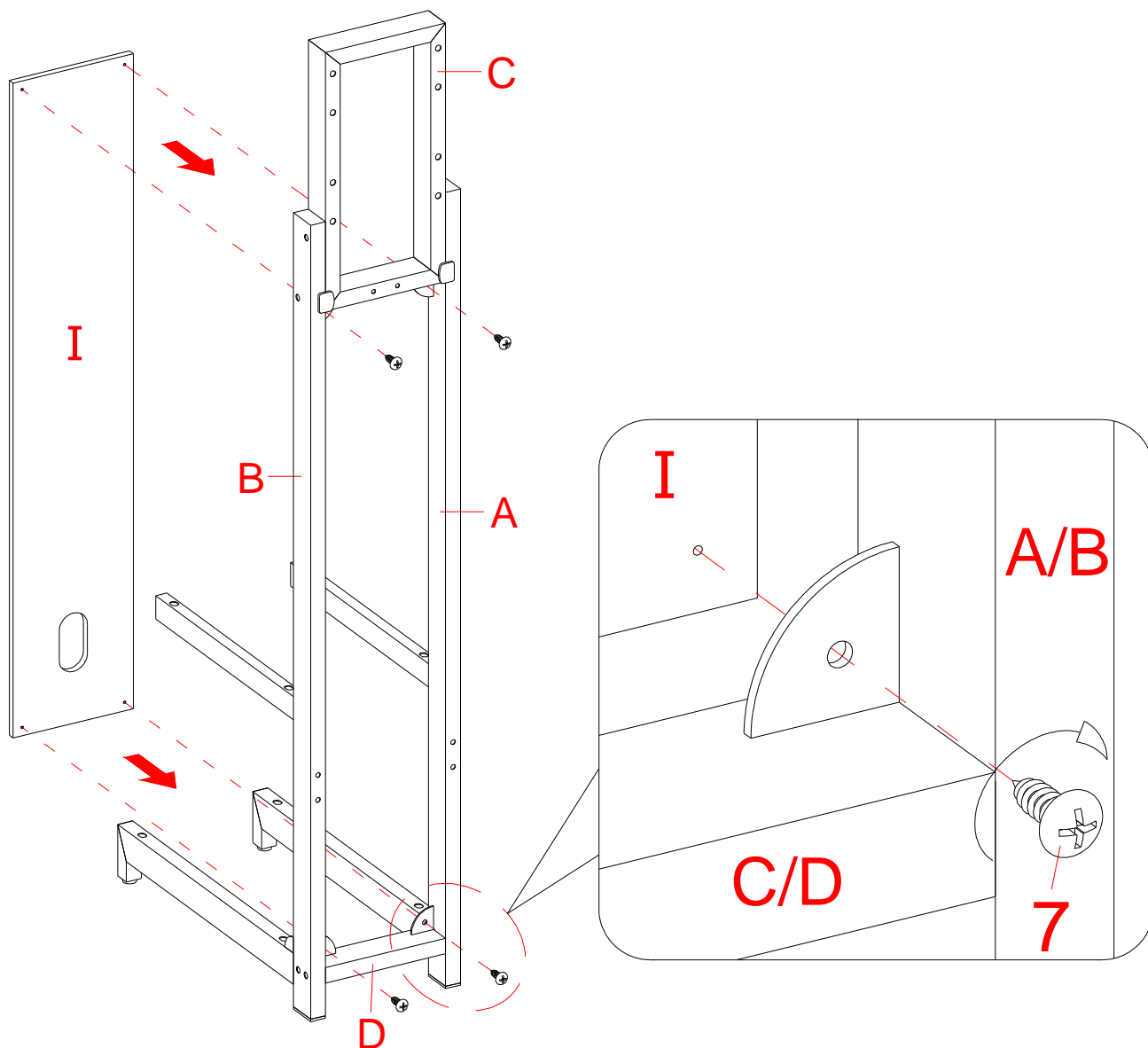
Lenguetas de metal apuntan hacia adentro



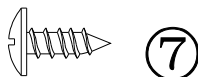
NOTA: *Por favor no apriete completamente todos los tornillos, hasta que termine con el ensamble de las partes, después asegure completamente todos los tornillos, ésto lo hará más fácil durante el ensamble.*

1. Desempacar la unidad y confirmar que cuenta con todas las partes y herraje enlistado.
2. Una el marco posterior (C) y soporte inferior (D) entre el marco izquierdo y derecho lateral (A y B). Asegúrese de que los soportes de metal en el soporte inferior (D) boca arriba y apunte hacia adelante. Apriete los tornillos con la llave hexagonal adjunta.

Instrucciones de Ensamble

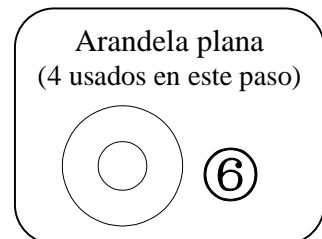
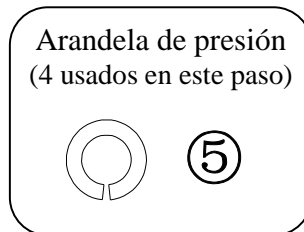
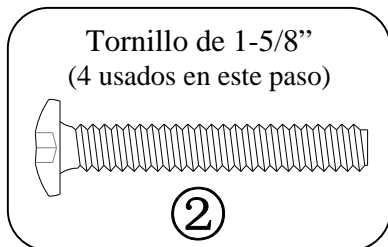
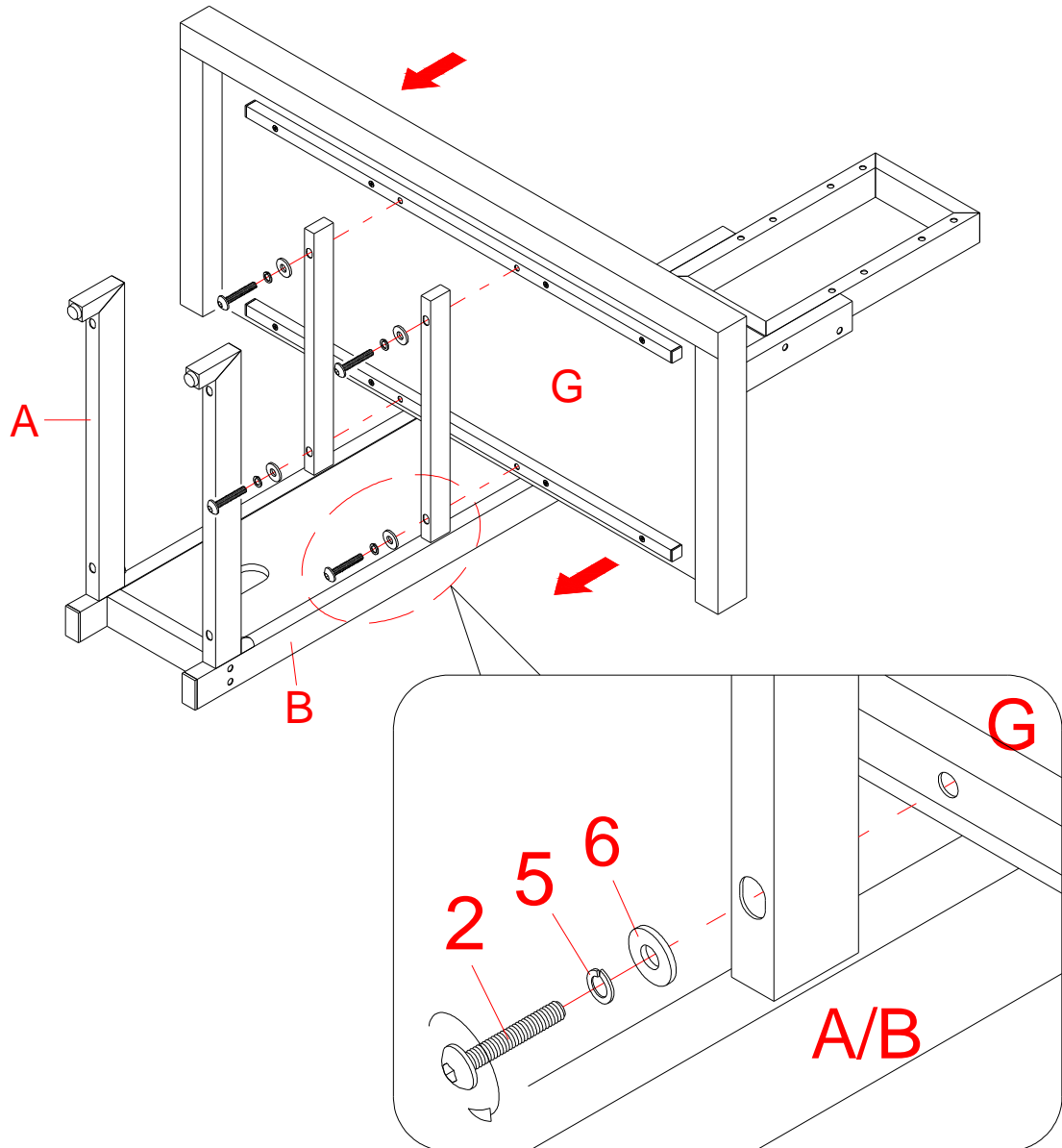


Tornillo #4 x 10 mm
(4 usados en este paso)



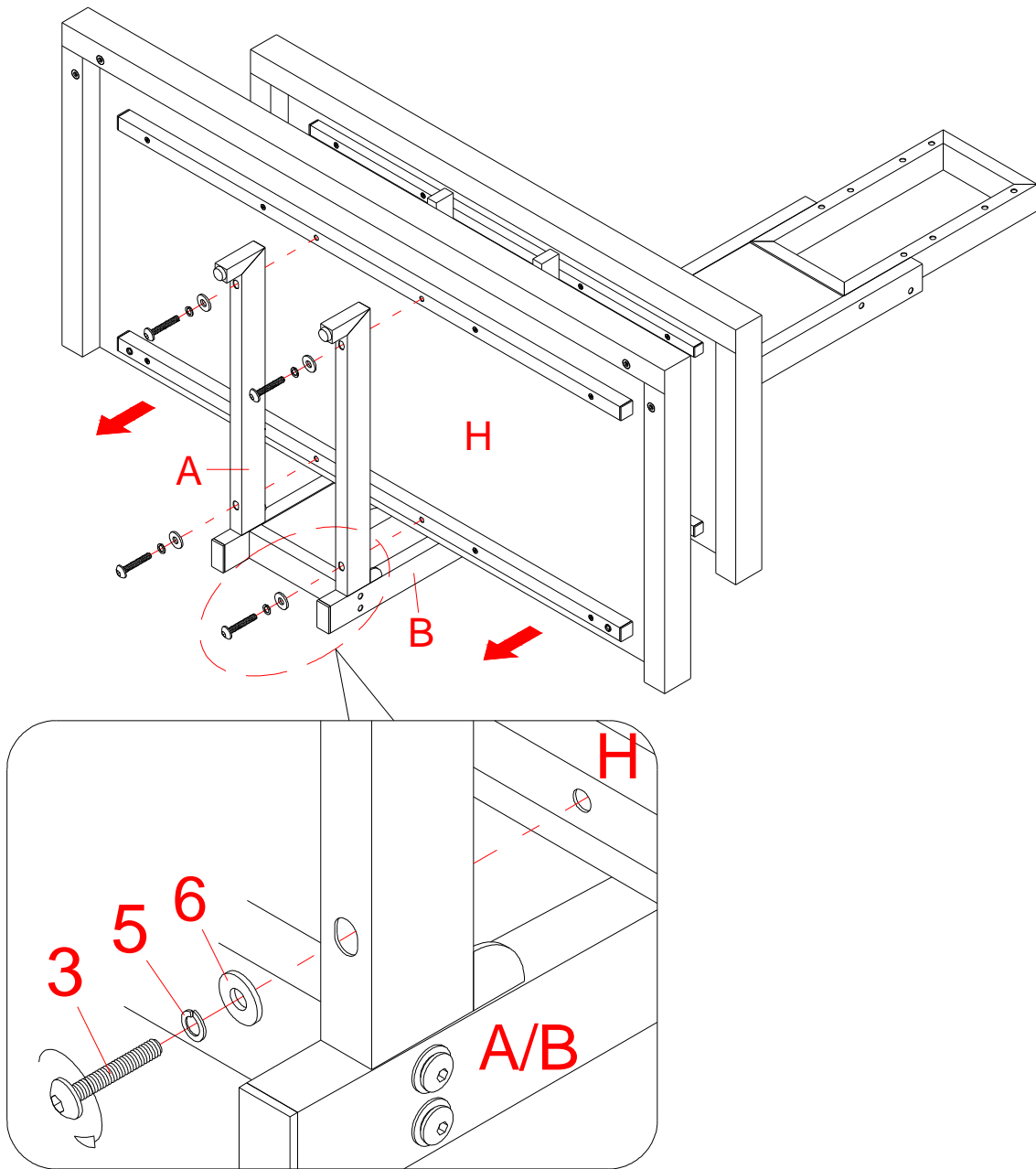
3. Levante el panel posterior (I) y encajarlo entre los marcos izquierdo y derecho laterales (A y B). Insertar y atornillar los cuatro tornillos (7) a través de los soportes de esquina para fijar el panel en su lugar. Apriete los tornillos con un destornillador estrella.

Instrucciones de Ensamble

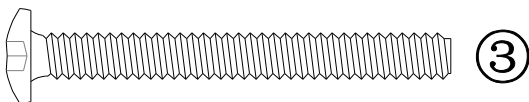


4. Coloque el conjunto anterior hacia abajo sobre una superficie plana y protección como se muestra.
5. Fijar una repisa superior (G) a los rieles superiores de los marcos izquierdo y derecho laterales (A y B) con cuatro tornillos 1-5/8" (2) y cuatro arandelas (5 y 6).

Instrucciones de Ensamble



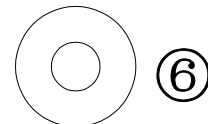
Tornillo de 2-1/4"
(4 usados en este paso)



Arandela de presión
(4 usados en este paso)

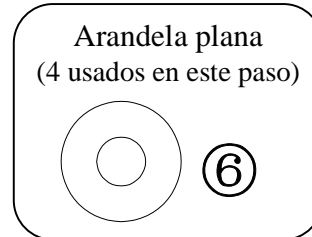
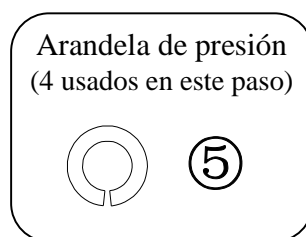
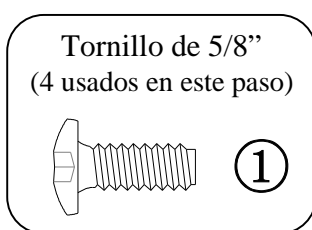
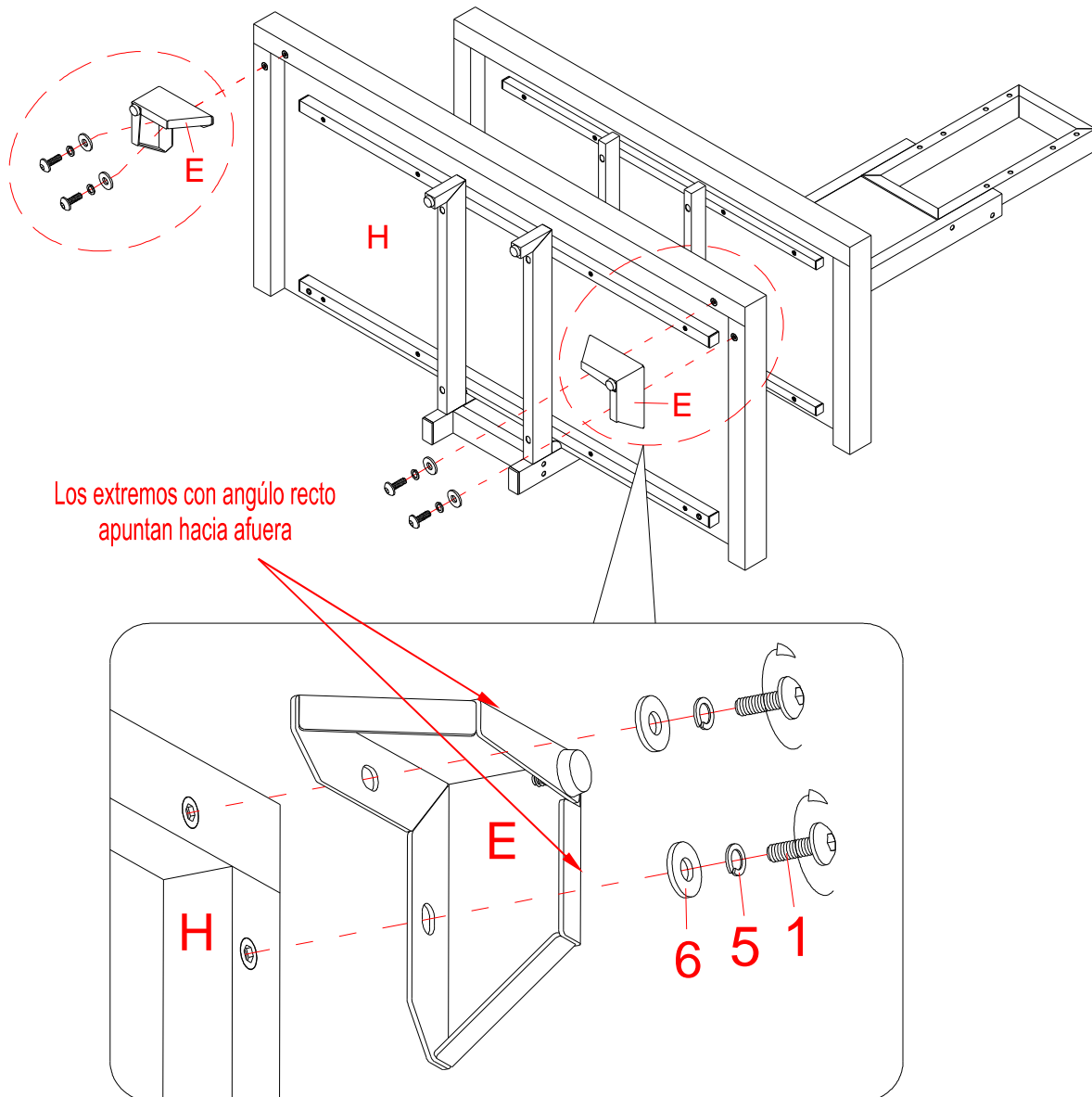


Arandela plana
(4 usados en este paso)



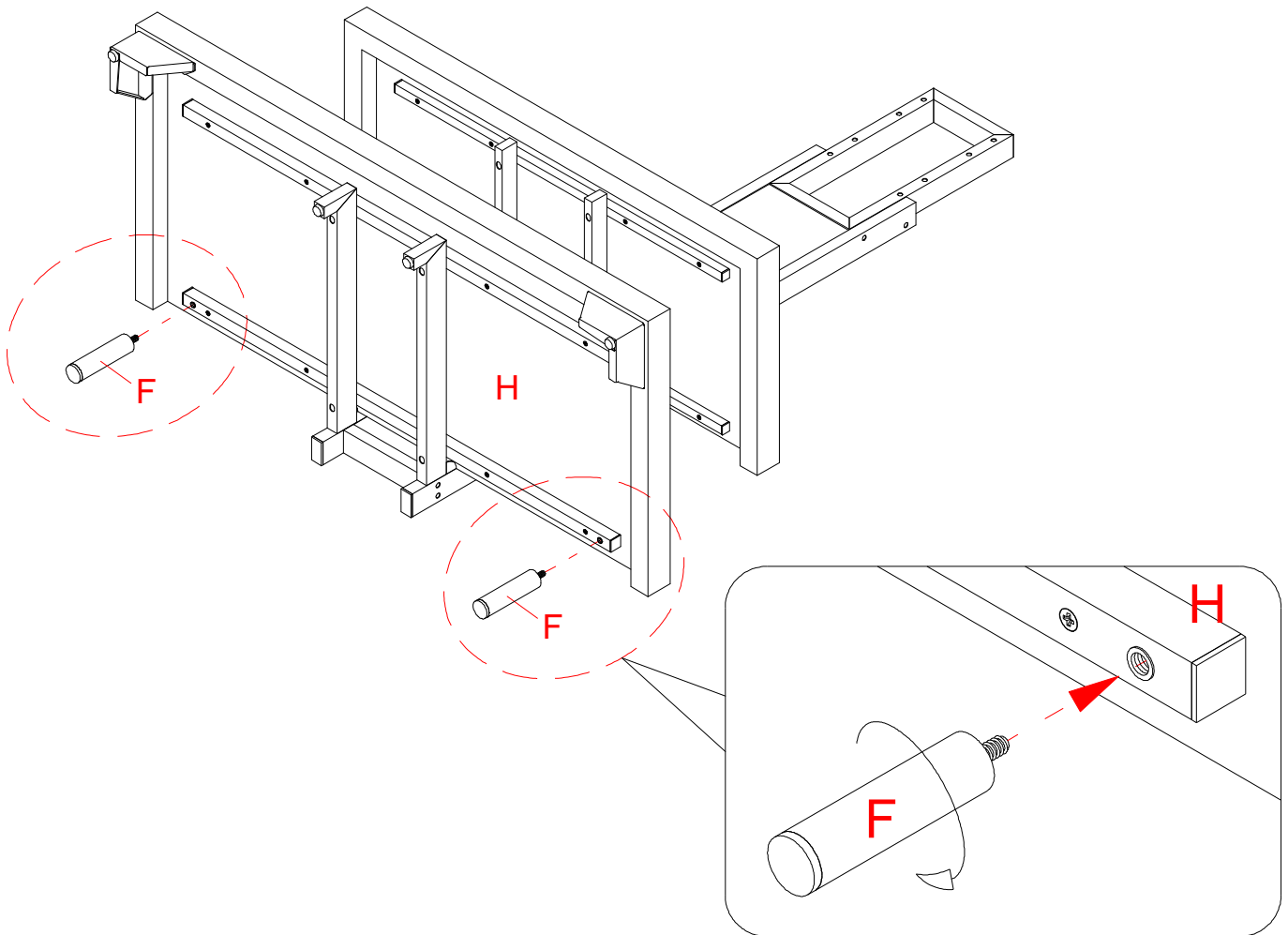
6. Alinear y unir la repisa inferior (H) a los carriles inferiores de los marcos laterales izquierdo y derecho (A y B) con cuatro tornillos de 2-1/4" (3) y cuatro arandelas (5 y 6)

Instrucciones de Ensamble



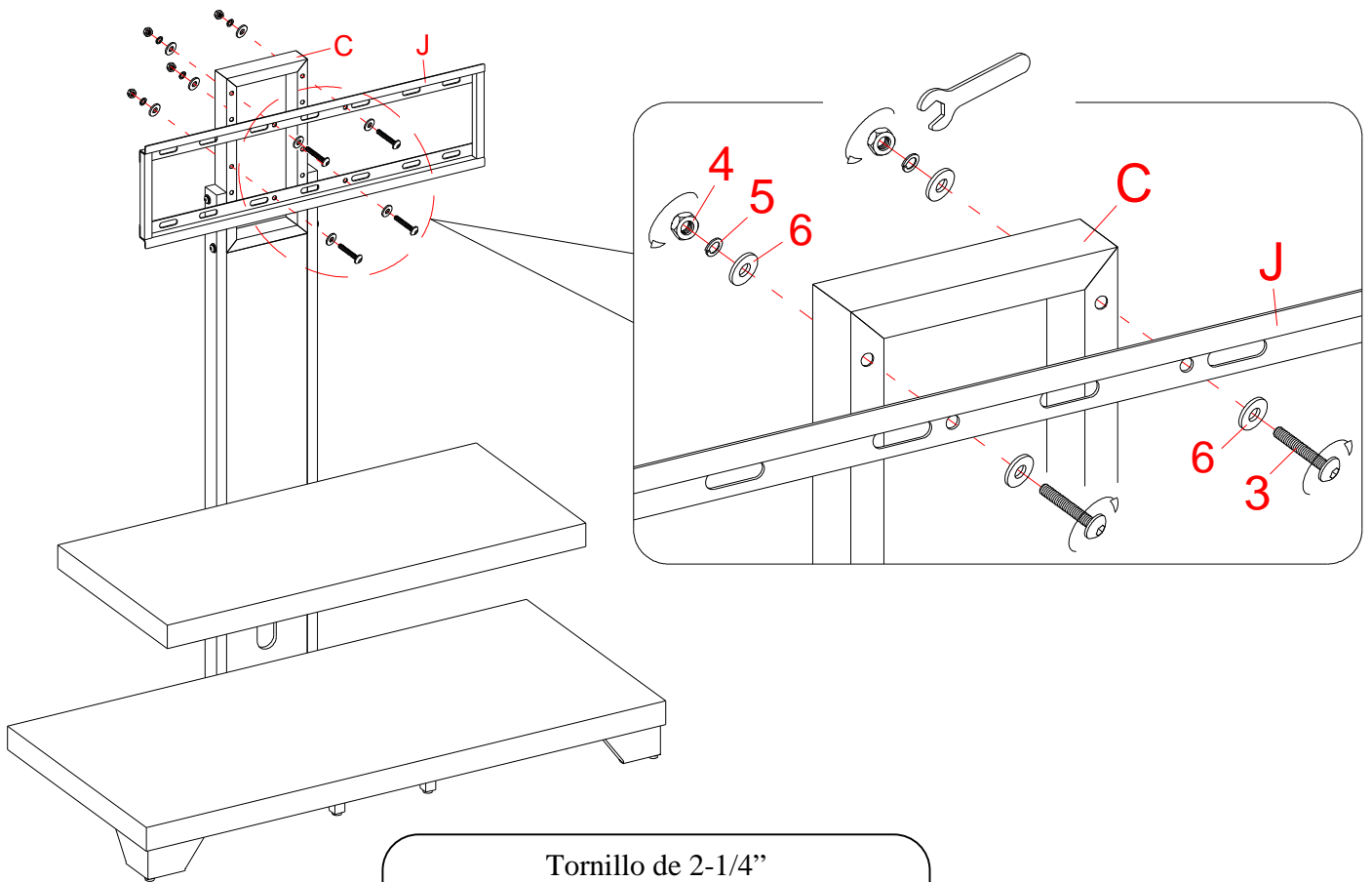
7. Coloque los soportes frontales inferiores (E) a la repisa inferior (H) con cuatro tornillos de 5/8" (1) y cuatro arandelas (5 y 6) como se muestra.

Instrucciones de Ensamble

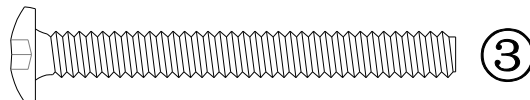


8. Fije dos soportes inferiores posteriores (F) en los casquillos roscados en el riel posterior de la repisa inferior (H).

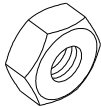
Instrucciones de Ensamble



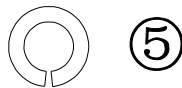
Tornillo de 2-1/4"
(4 usados en este paso)



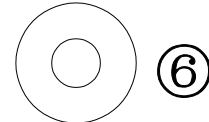
Tuerca hexagonal
(4 usados en este paso)



Arandela de presión
(4 usados en este paso)



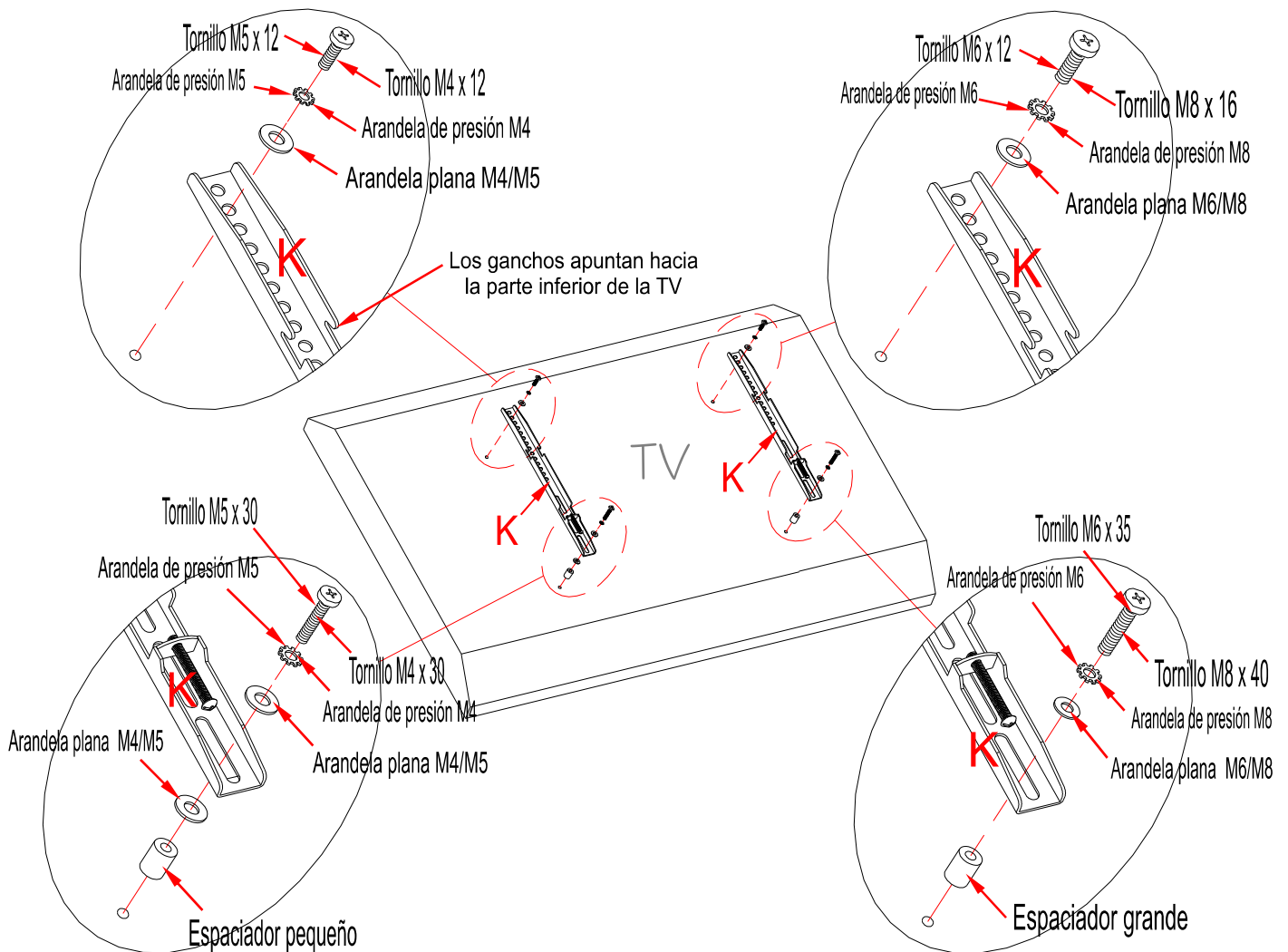
Arandela plana
(8 usados en este paso)



9. Poner la unidad en posición vertical.

10. Montar el marco de montaje (J) en la parte superior trasera del marco posterior (C) con cuatro tornillos de 2-1/4" (3) y las arandelas y luego asegure con las tuercas hexagonales (4). Apriete firmemente con la llave española y llave hexagonal.

Para montar el marco en televisiones con respaldo plano

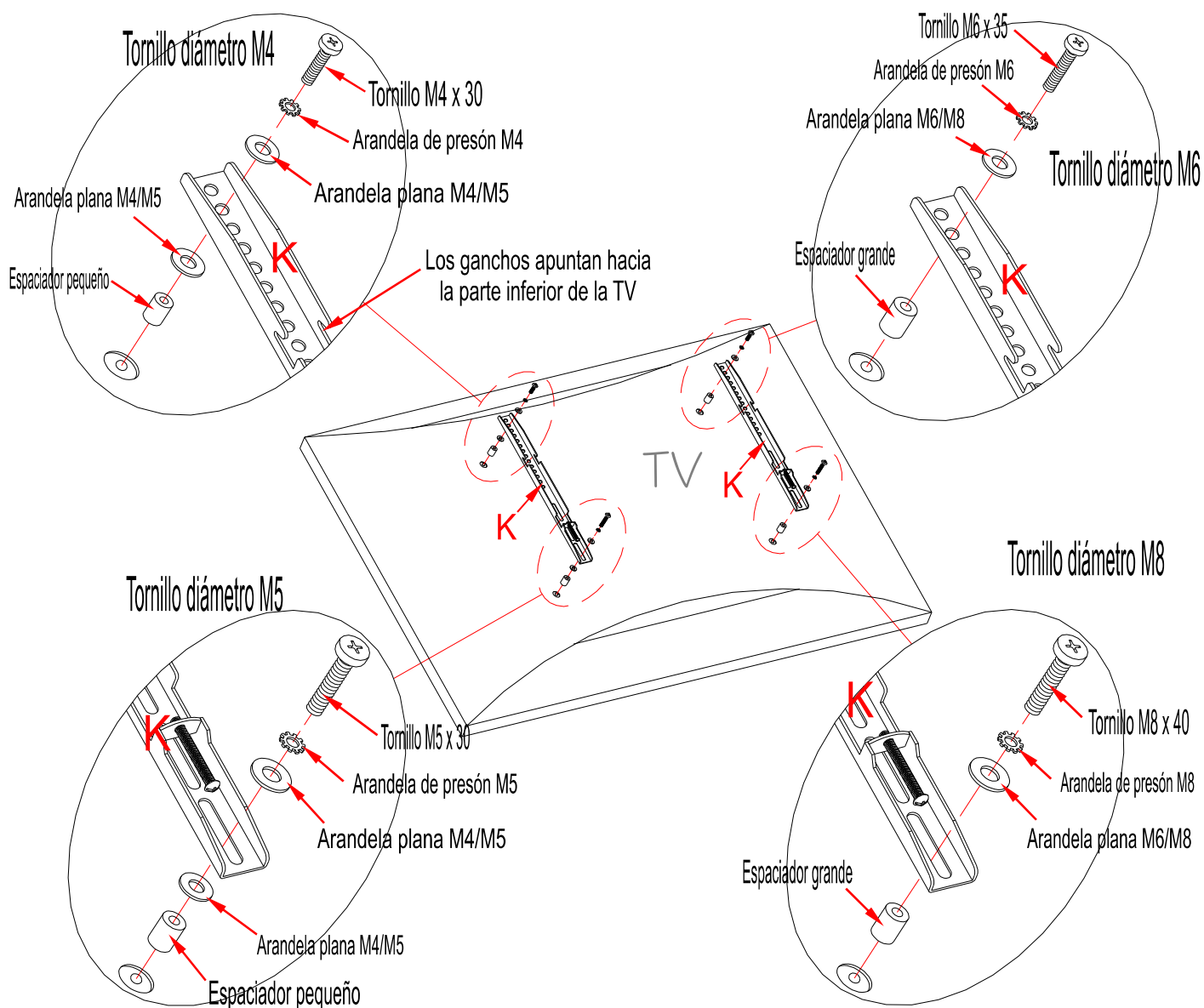


NOTA: Para televisiones con respaldos curvos o desnivel proceda directamente al paso #13.

11. Determine el diámetro correcto de tornillos que utilizará en su televisión atornillando con sus manos para asegurar que entren bien, si encuentra resistencia detengase inmediatamente. Si no encuentra el tornillo adecuado diríjase a su tienda de ferretería local para el mismo.
12. Cuando determine el diámetro correcto del tornillo a utilizar, siga el diagrama apropiado de abajo, asegure el tornillo corto y arandelas junto con los soportes del monitor (K), en las inserciones roscadas que están en la parte superior de la televisión.

NOTA: Recargue la TV contra la pared u otra parte sólida cuando asegure los soportes del monitor. **POR NINGUNA RAZÓN** coloque la Televisión boca abajo en el piso, esto puede producir un daño permanente.

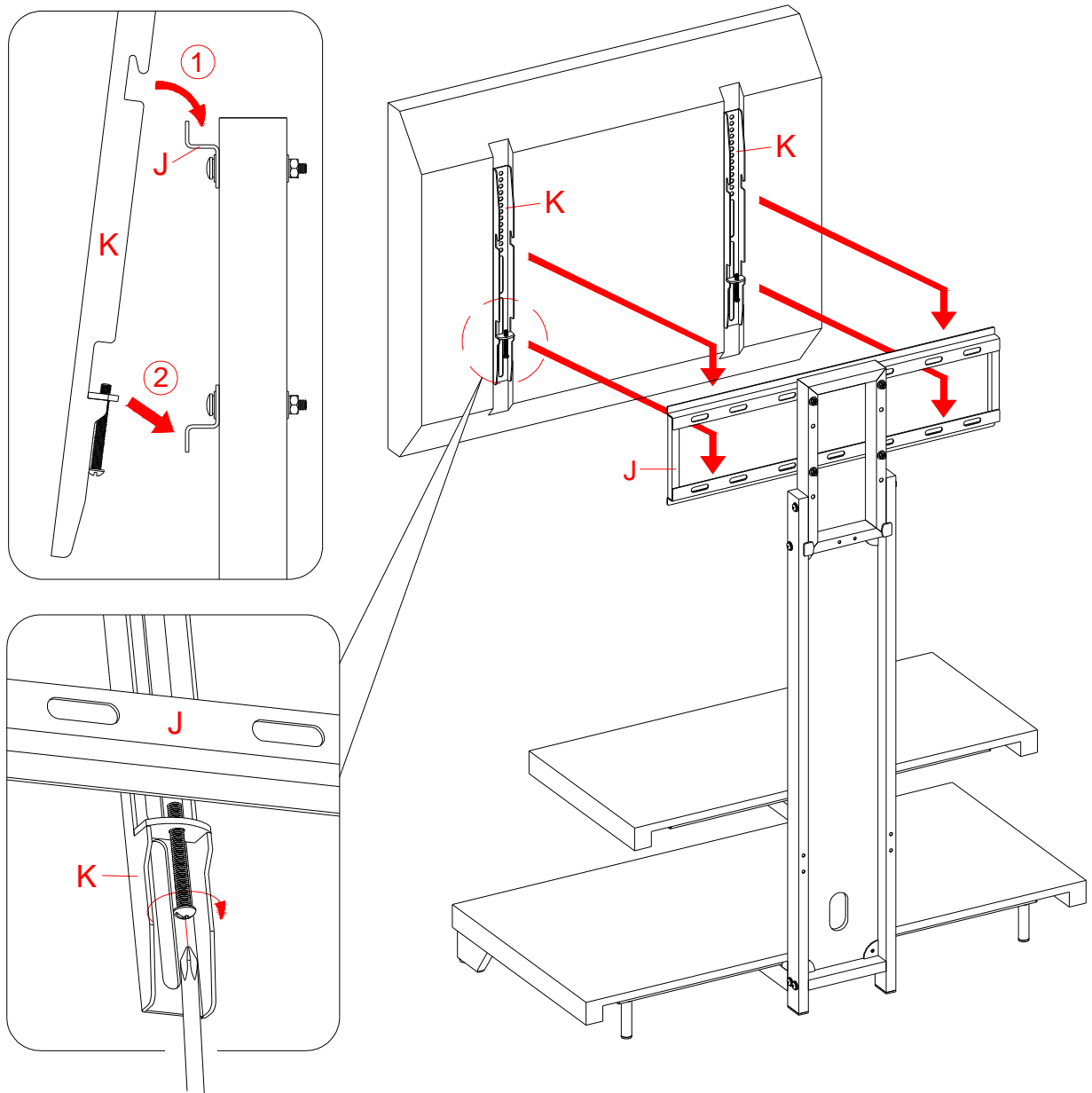
Para montar el marco en televisiones con respaldo curvo/desnivel



- Determine el diámetro correcto de tornillos que utilizará en su Televisión atornillando con sus manos para asegurar que entren bien, si encuentra resistencia detenganse inmediatamente. Si no encuentra el tornillo adecuado diríjase a su tienda de ferretería local para el mismo.
- Cuando determine el diámetro correcto del tornillo a utilizar, siga el diagrama apropiado de abajo, asegure el tornillo corto y arandelas junto con los soportes del monitor (K), en las inserciones roscadas que están en la parte superior de la televisión.

NOTA: Recargue la TV contra la pared u otra parte sólida cuando asegure los soportes del monitor. POR NINGUNA RAZÓN coloque la Televisión boca abajo en el piso, esto puede producir un daño permanente.

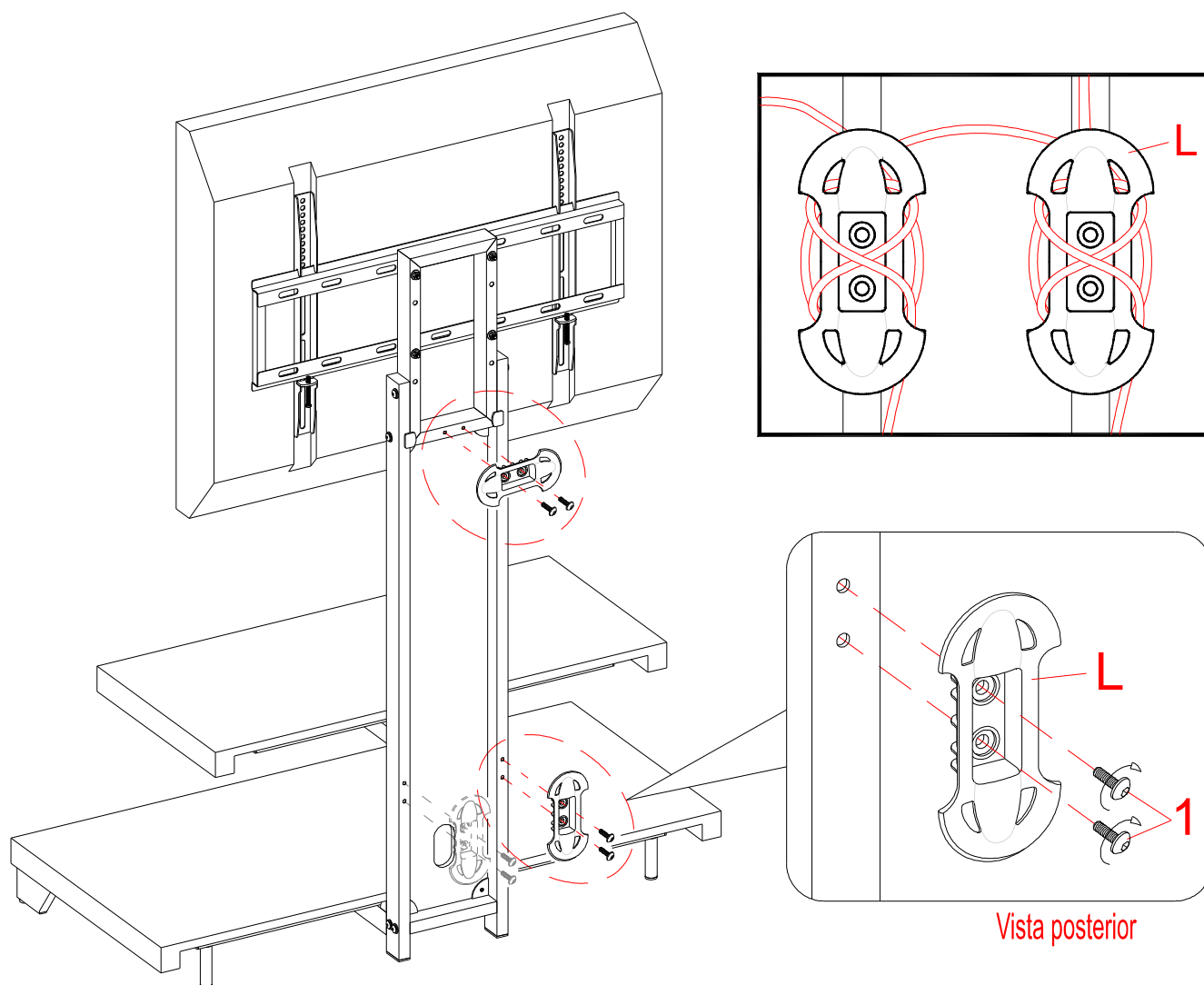
Instrucciones de Ensamble



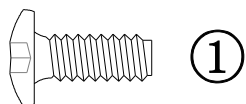
Apriete hasta que el perno de seguridad toque la parte inferior del bastidor de montaje

15. Una vez que los soportes de monitor (K) están unidos en la parte posterior de la televisión, pedir ayuda para levantar el televisor hasta fijar los soportes de monitor en el marco de montaje (J). Ajuste los ganchos en los soportes de monitor sobre el marco de montaje y luego bajarlos a las barras de la estructura de montaje. Afloje los pasadores de seguridad pre-adjuntos en los soportes de monitor para asegurar un ajuste fácil en los ganchos inferiores. Proceder a centrar la televisión.

Instrucciones de Ensamble



Tornillo de 5/8"
(4 usados en este paso)



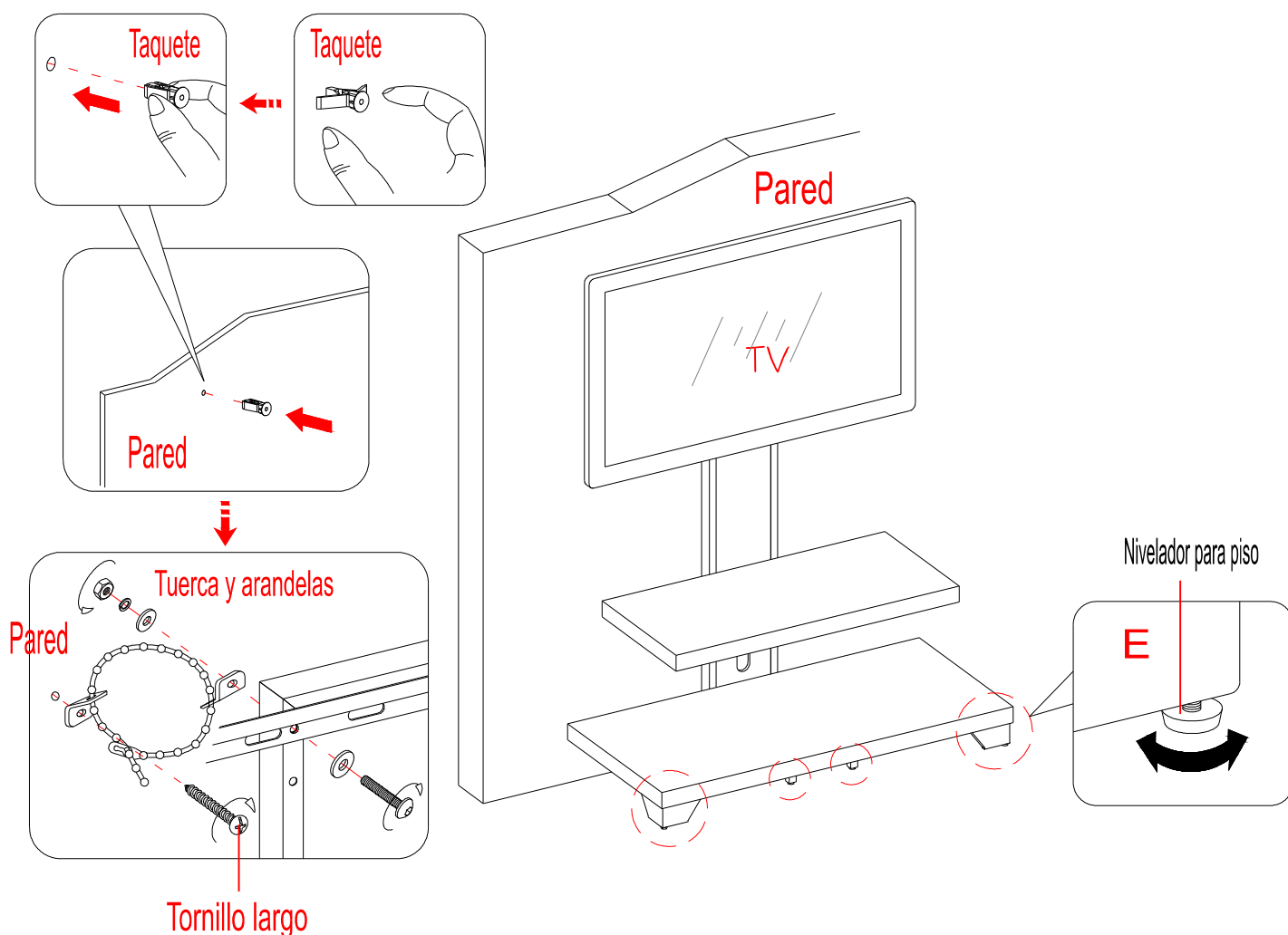
Guía para cable
(2 usados en este paso)



16. Coloque las 2 guías para cable (L) a la parte trasera de la unidad ensamblada con los tornillos de 5/8" (1). Apriete los tornillos con la llave hexagonal suministrada.

17. Las guías para cable (L) le permiten acortar, separar cables y cuerdas separadas. Utilización de la guía de cable puede ayudarle a crear un sistema para el enrutamiento de los cables a través de canales, entre los componentes y las fuentes de energía sin que se enreden o se tenga interferencia de las señales.

Instrucciones de Ensamble



Herramienta requerida: Llave hexagonal (proporcionada), desarmador estrella, mazo, taladro, broca de 3/8 de pulgada (9,5 mm).

18. Ajuste los niveladores de piso en la parte inferior de la consola para nivelar la unidad. Como se muestra.

19. Con cuidado, mueva la consola y posicionarlo en el lugar deseado contra una pared. Ahora, siga las instrucciones impresas en la bolsa de plástico que contiene vuelco Restricción de hardware para montar el volcado de sujeción a la consola y la pared.

NOTA: Es necesario instalar el juego de restricción de movimiento para la unidad para evitar que se caiga, causando accidentes o daños a la unidad

20. La consola está ahora listo para su uso.

Mantenimiento y Cuidados

- Use una toalla suave y limpia para evitar daños y rayaduras.
- El uso de cera para pulir muebles no es necesario. Si desea usar cera haga una prueba en un área que no sea visible para revisar su funcionamiento.
- El usar solventes de cualquier tipo puede dañar el acabado del mueble.
- Nunca use agua para limpiar la unidad, ya que le puede dañar el acabado.
- Siempre utilice protección para vasos cuando ponga sobre la unidad.
- Líquidos derramados deben limpiarse inmediatamente, con una toalla suave evitando tallar.
- Siempre utilizar protectores en caso de poner cosas calientes. El calor puede provocar una reacción química en el acabado y dañarlo.
- En caso que su unidad sea manchada durante el uso le recomendamos hablar a un profesional para que le ayude.
- Revisar los pernos y tornillos periódicamente y ajustarlos en caso que sea necesario.

Más recomendaciones para el cuidado de su Mueble

Es mejor mantener la unidad en un área de clima controlado. Temperatura extrema y cambios de humedad pueden causar cambios como partes pandeadas, molduras que se contraigan o que la madera se parta. Es recomendable mantener la unidad lejos del sol directo ya que puede dañar el acabado.

Los cuidados adecuados y limpieza pueden extender la vida útil de su unidad. Siga estas recomendaciones y mantendrá su mueble en buenas condiciones de uso por muchos años.

Un plumón de retoque se ha proporcionado para reparar cualquier pequeños daños o arañazos que pueden haber ocurrido durante el montaje o el envío.

Esperamos que disfrute este producto por muchos años.
¡Gracias por su compra!

GARANTÍA DE CALIDAD

Nosotros estamos seguros que usted se encontrará feliz con la compra de este producto de Whalen Furniture.

Si este producto tiene algún defecto de ensamble o material, o si tiene alguna falla en uso normal, nosotros lo repararemos o lo re-emplazaremos hasta por un año a partir de la fecha de compra. Todo producto de Whalen Furniture es diseñado para alcanzar sus expectativas más altas. Nosotros le garantizamos que inmediatamente podrá ver el valor de nuestra mercancía de la más alta calidad.

Esta garantía le proporciona derechos legales específicos y tal vez tenga otros derechos que varían de un estado a otro o una provincia a otra.

Servicio al cliente: 866-942-5362
Hora Estándar del Pacífico: 8:30 a.m. - 4:30 p.m., de Lunes a Viernes
www.whalenstyle.com

