



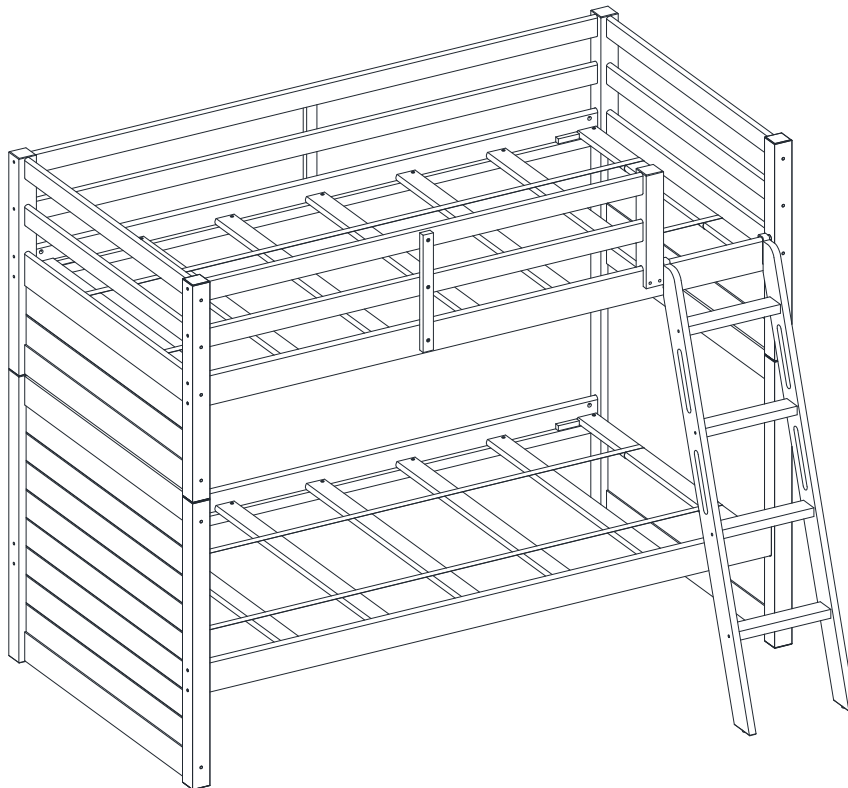
# Assembly Instructions & User's Manual

## Tatum Twin over Twin Bunk Bed

Model Number: SM3FTOT

Customer Assistance (spare/replacement parts): 1-866-942-5362

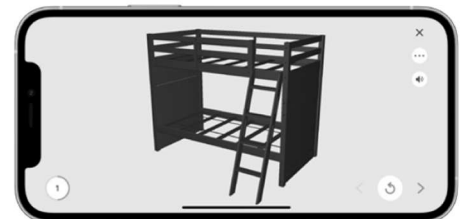
or Email: [parts@whalenfurniture.com](mailto:parts@whalenfurniture.com)



### 3D instructions | Instrucciones 3D

**Tap. Zoom. Rotate** with official interactive instructions on the BILT app.

**Toque. Amplíe. Rote** con las instrucciones interactivas oficiales en la aplicación BILT.



**BILT**





LOT NUMBER: \_\_\_\_\_ DATE PURCHASED: \_\_/\_\_/\_\_\_\_\_

**THIS ASSEMBLY MANUAL CONTAINS IMPORTANT SAFETY INFORMATION.  
PLEASE READ AND KEEP FOR FUTURE REFERENCE.**



# Assembly Instructions & User's Manual

## Table of Contents

Quality Statement .....	3
Important Safety Information.....	3
Before Assembly.....	3
Care & Use .....	3
General Information.....	4
Tips and Tricks .....	4
Package Contents .....	5
Product Information.....	5
Components .....	6
Hardware .....	7
Tools.....	7
Step 1 .....	8
Step 2 .....	9
Step 3 .....	10
Step 4 .....	11
Step 5 .....	12
Step 6 .....	13
Step 7 .....	14
Step 8 .....	15
Step 9 .....	16
Step 10.....	17
Step 11.....	18
Step 12.....	19
Step 13.....	20
Step 14.....	21
Step 15.....	22
Step 16.....	23
Step 17.....	24
Step 18.....	25
Step 19.....	26
Step 20.....	27
Disassembling the Bunk Bed .....	28
 Warning .....	29
 Danger .....	30
Troubleshooting .....	30
Care & Use Instructions.....	30
Storage Instructions .....	30
Limited Warranty Information.....	31



# Assembly Instructions & User's Manual

## Quality Statement

Question or Comments? We would love to hear about your Member's Mark experience!

Visit us at: [Samsclub.com/membersmarkhelp](https://www.samsclub.com/membersmarkhelp)

## Important Safety Information

- Please read all instructions carefully before assembling this product.
- Where applicable, and for your safety, assembly by an adult is strongly recommended.
- Use only vendor-supplied hardware to assemble this item. Using unauthorized hardware could jeopardize the structural integrity of the item.
- Hardware may loosen overtime. Periodically check that all connections are tight.

## Before Assembly

- Remove all parts and hardware from the box. Place all items on a carpeted or scratch-free work surface, as this will avoid damaging parts during assembly.
- The shipping box can provide an ideal work surface if none is available.
- Use the components and hardware lists below to identify, inventory and separate each of the hardware and components included.
- To avoid accidentally discarding small components or hardware, do not dispose of any packaging or contents of the shipping carton until assembly is complete.
- **DO NOT USE** power tools unless it is explicitly identified in this manual as required for use during assembly. Power tools can damage the fasteners, hardware and/or components.
- Do not fully tighten all fasteners / screws until all parts are in place. Failure to follow these instructions may cause the fasteners / screws to misalign during assembly.

## Care & Use

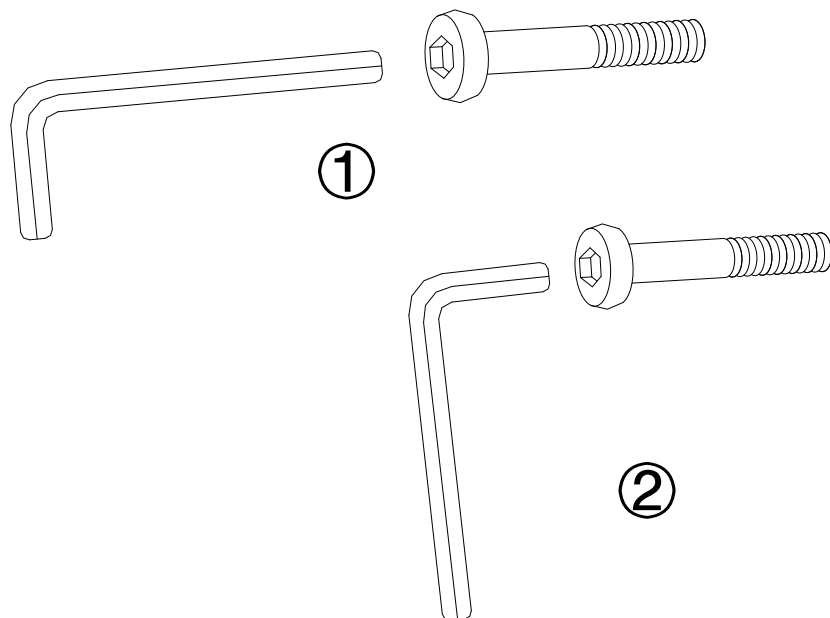
- Use a soft, clean cloth that will not scratch the surface when dusting.
- Use of furniture polish is not necessary. Should you choose to use polish, test first in an inconspicuous area.
- Using solvents of any kind on your furniture may damage the finish.
- Never use water to clean your furniture as it may cause damage to the finish.
- Liquid spills should be removed immediately. Using a soft, clean cloth, blot the spill gently. Avoid rubbing.
- In the event that your furniture is stained or otherwise damaged during use, we recommend that you call a professional to repair your furniture.
- Do not place furniture in direct sunlight.

## General Information

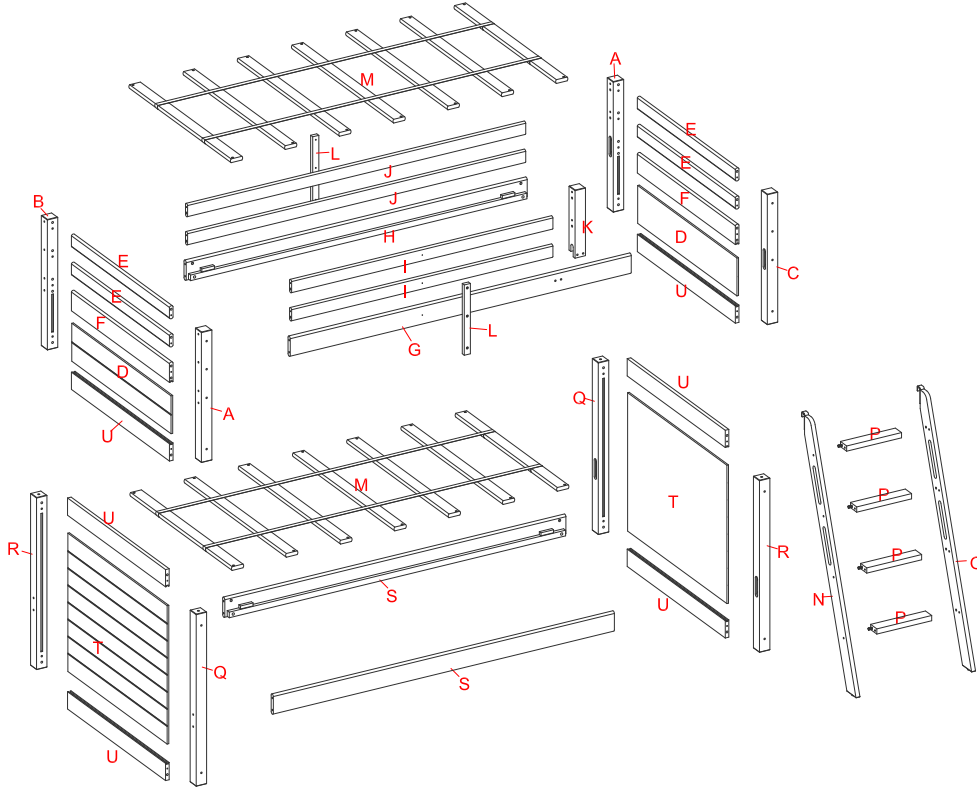
- ALWAYS USE GUARDRAILS ON BOTH LONG SIDES OF THE UPPER BUNK. IF THE BUNK BED WILL BE PLACED NEXT TO THE WALL, THE GUARDRAIL THAT RUNS THE FULL LENGTH OF THE BED SHOULD BE PLACED AGAINST THE WALL TO PREVENT ENTRAPMENT BETWEEN THE BED AND WALL.
- STRANGULATION HAZARD - Never attach or hang items to any part of the bunk bed that are not designed for use with the bed; for example, but not limited to, hooks, belts, and jump ropes.
- Maximum mattress thickness must not exceed 20.32 cm (8 in.). Surface of mattress must be at least 12.7 cm (5 in.) below the upper edge of guardrails.
- Use only mattress which is 1.88 m (74 in.) to 1.90 m (75 in.) long and 95.25 cm (37 ½ in.) to 97.79 cm (38 ½ in.) wide on the bed.
- Replacement parts, including additional guardrails, may be obtained from any of our dealers.

## Tips and Tricks

1. *Keep all hardware and parts out of the reach of children.*
2. *Use the long end of the hex wrench to fasten bolts loosely and quickly.*
3. *Use the short end of the hex wrench for final tightening.*



## Package Contents



Component	Description	Qty.	Component	Description	Qty.
A	Upper Headboard Front / Footboard Back Post	2	L	Guardrail Support	2
B	Upper Headboard Back Post	1	M	Mattress Support Slats	2
C	Upper Footboard Front Post	1	N	Left Ladder Support	1
D	Upper Headboard / Footboard Panel	2	O	Right Ladder Support	1
E	Upper Top Crossbar	4	P	Ladder Step	4
F	Upper Middle Crossbar	2	Q	Lower Headboard Front / Footboard Back Post	2
G	Upper Ladder Side Rail	1	R	Lower Headboard Back / Footboard Front Post	2
H	Upper Mattress Side Rail	1	S	Lower Mattress Side Rail	2
I	Short Guardrail	2	T	Lower Headboard / Footboard Panel	2
J	Long Guardrail	2	U	Bottom Crossbar	6
K	Front Guardrail Post	1			

## Product Information

Dimensions – 78.75" x 60.75" x 63.75" (200 cm x 154.3 cm x 161.9 cm)

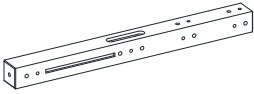
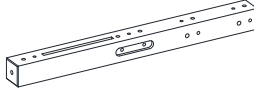
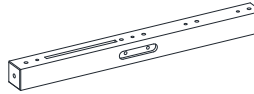

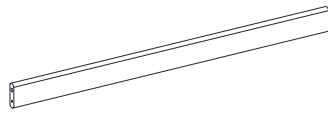
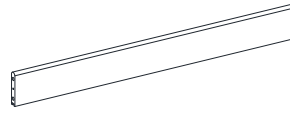
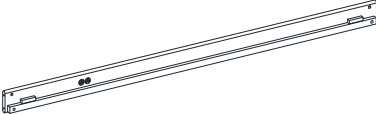
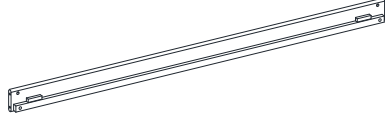
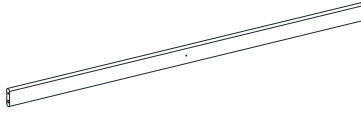
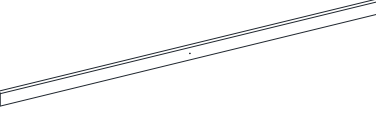
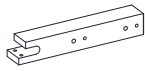
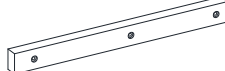
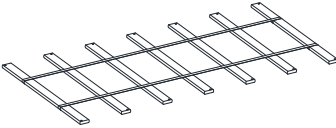
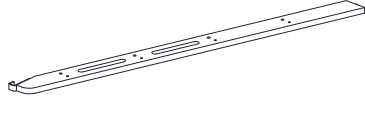
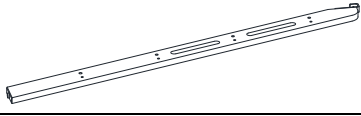

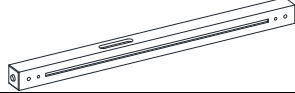
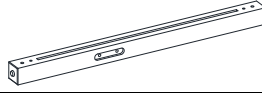
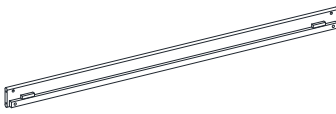
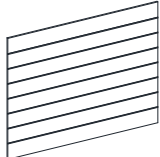

Weight Capacity:

Twin bed slats: 181.4 kg / 400 lb



# Assembly Instructions & User's Manual


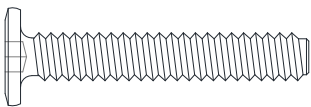
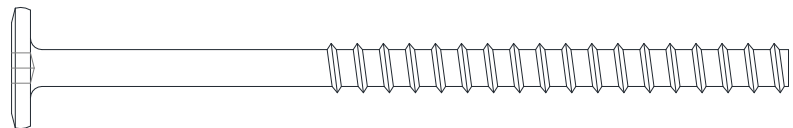
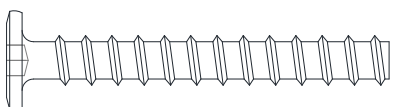
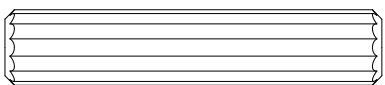
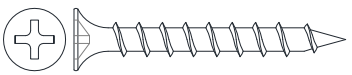
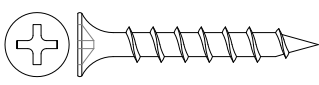
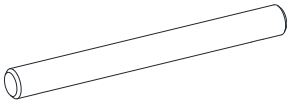

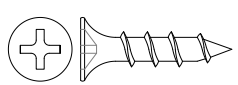

## Components

<p>Component A Part No. 00SM3FTOT-A Qty. 2</p> 	<p>Component B Part No. 00SM3FTOT-B Qty. 1</p> 	<p>Component B Part No. 00SM3FTOT-C Qty. 1</p> 
<p>Component D Part No. 00SM3FTOT-D Qty. 2</p> 	<p>Component E Part No. 00SM3FTOT-E Qty. 4</p> 	<p>Component F Part No. 00SM3FTOT-F Qty. 2</p> 
<p>Component G Part No. 00SM3FTOT-G Qty. 1</p> 	<p>Component H Part No. 00SM3FTOT-H Qty. 1</p> 	<p>Component I Part No. 00SM3FTOT-I Qty. 2</p> 
<p>Component J Part No. 00SM3FTOT-J Qty. 2</p> 	<p>Component K Part No. 00SM3FTOT-K Qty. 1</p> 	<p>Component L Part No. 00SM3FTOT-L Qty. 2</p> 
<p>Component M Part No. 00SM3FTOT-M Qty. 2</p> 	<p>Component N Part No. 00SM3FTOT-N Qty. 1</p> 	<p>Component O Part No. 00SM3FTOT-O Qty. 1</p> 
<p>Component P Part No. 00SM3FTOT-P Qty. 4</p> 	<p>Component Q Part No. 00SM3FTOT-Q Qty. 2</p> 	<p>Component R Part No. 00SM3FTOT-R Qty. 2</p> 
<p>Component S Part No. 00SM3FTOT-S Qty. 2</p> 	<p>Component T Part No. 00SM3FTOT-T Qty. 2</p> 	<p>Component U Part No. 00SM3FTOT-U Qty. 6</p> 

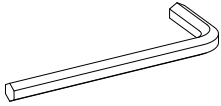
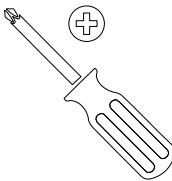


# Assembly Instructions & User's Manual

## Hardware

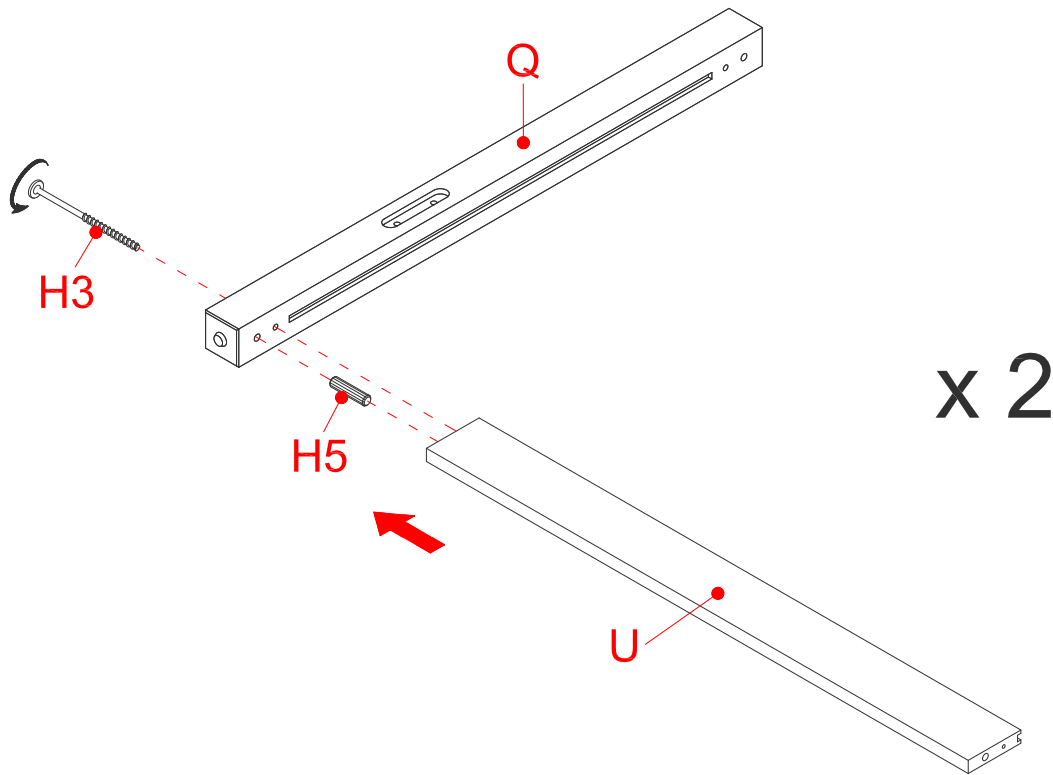
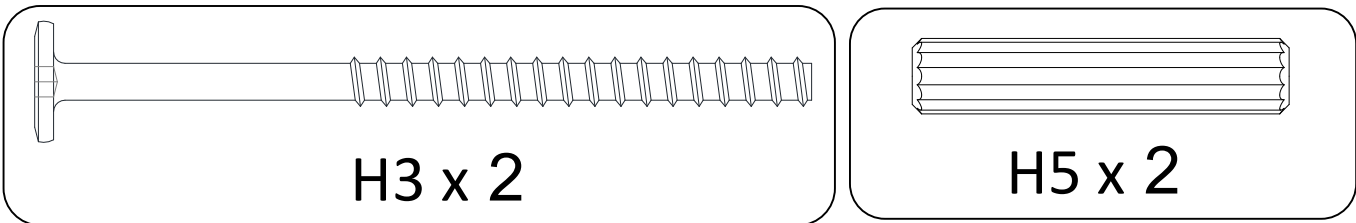
<p>1/4" x 100 mm Bolt (H1) Qty: 16+1 extra</p> 		
<p>1/4" x 38 mm Bolt (H2) Qty: 2+1 extra</p> 	<p>M6.5 x 100 mm Tapping Bolt (H3) Qty: 32+1 extra</p> 	
<p>M6.5 x 48 mm Tapping Bolt (H4) Qty: 8+1 extra</p> 	<p>M10 x 50 mm Wood Dowel (H5) Qty: 44+2 extra</p> 	<p>M4 x 35 mm Screw (H6) Qty: 28+1 extra</p> 
<p>M4 x 30 mm Screw (H7) Qty: 6+1 extra</p> 	<p>Bed Connector Pin (H8) Qty: 4</p> 	<p>Barrel Nut (H9) Qty: 16+1 extra</p> 
<p>M3.5 mm x 19 mm Screw (H10) Qty: 2+1 extra</p> 	<p>Floor Protector (H11) Qty: 4+1 extra</p> 	

## Tools

<p>Hex Wrench (H12) (Included) Qty: 2</p> 	<p>Phillips Screwdriver (Not Included)</p> 
---	--

Need Assistance? Visit us at: [samsclub.com/membersmarkhelp](http://samsclub.com/membersmarkhelp)

## Step 1



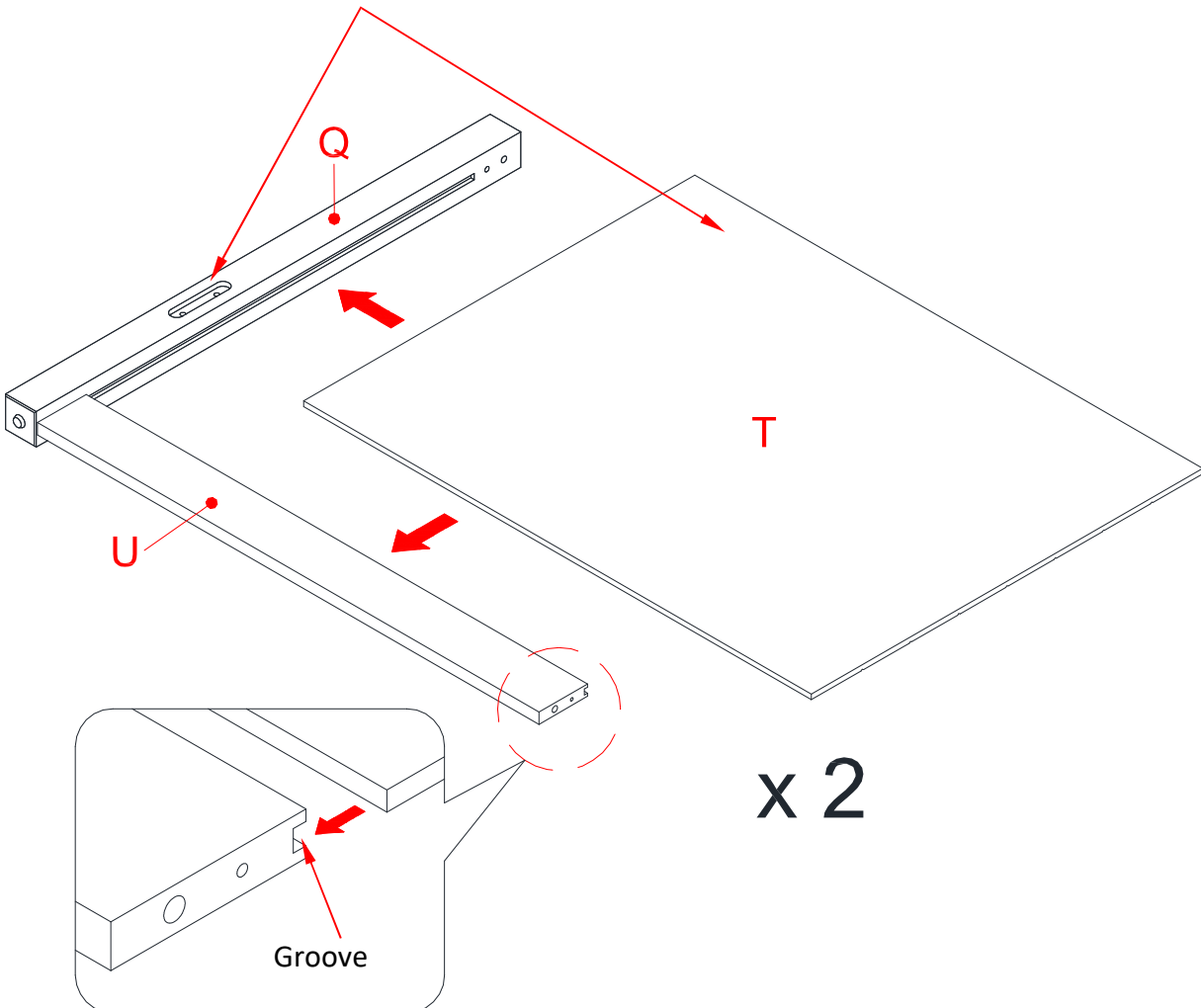
**NOTE:** Please follow the instructions carefully to insure a safe and sturdy bed. Do not fully tighten the bolts until all rails and guardrails are attached.

- Unpack the units and confirm that you have all hardware and required parts.
- Locate one Bottom Crossbar (U) on a level and protected surface with the groove facing inward.
- Insert one 50 mm Wood Dowel (H5) into the end large hole of one Bottom Crossbar (U) and attach it to the Lower Headboard Front Post (Q) using one 100 mm Tapping Bolt (H3). Securely tighten the bolt with the provided hex wrench.
- Repeat the same procedure to combine the Lower Footboard Back Post (Q) with another Bottom Crossbar (U) together.



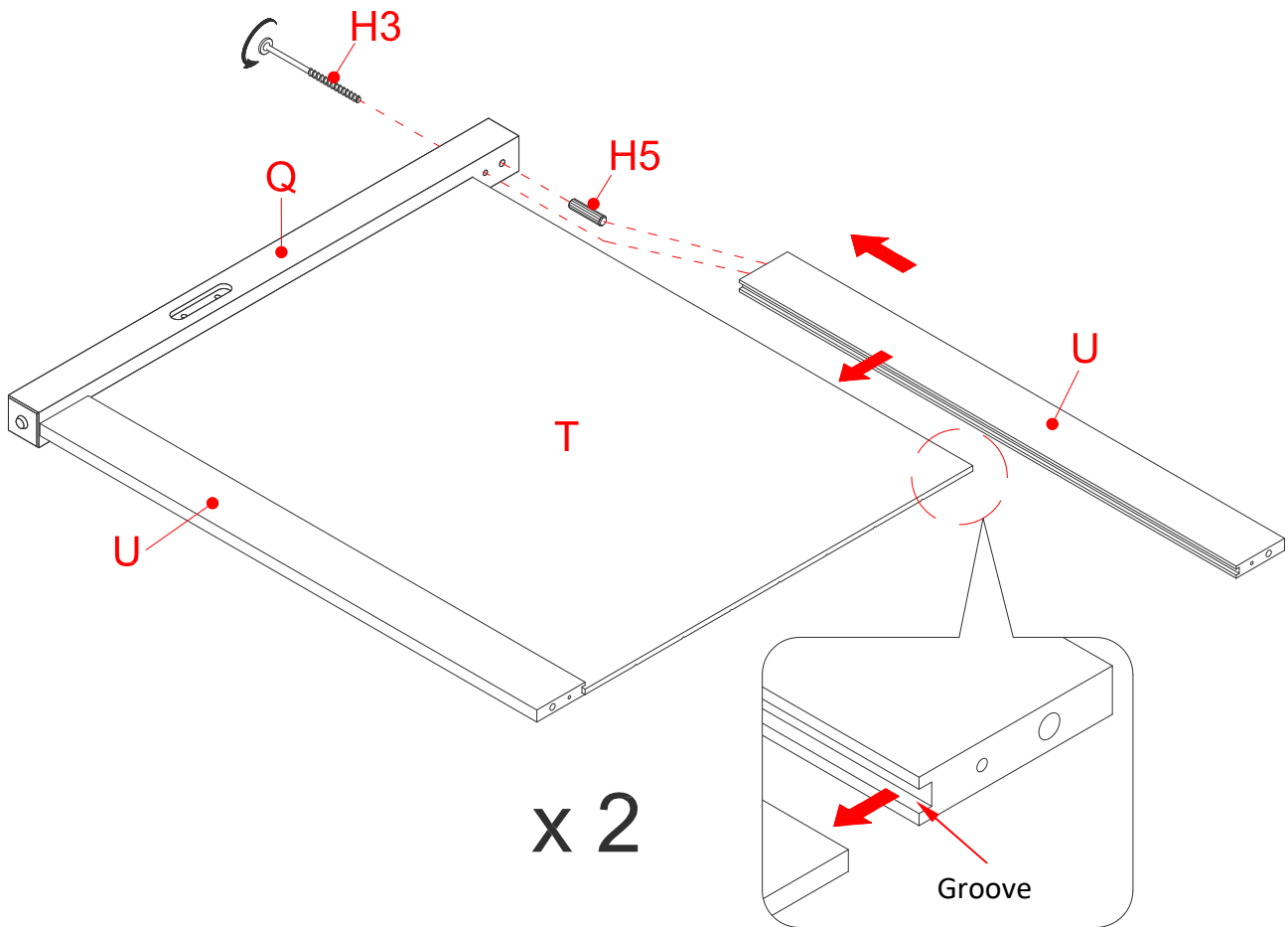
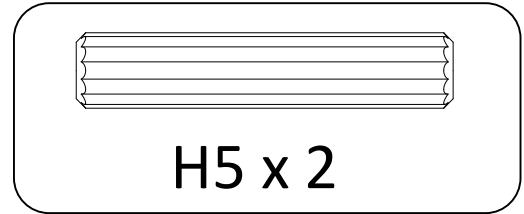
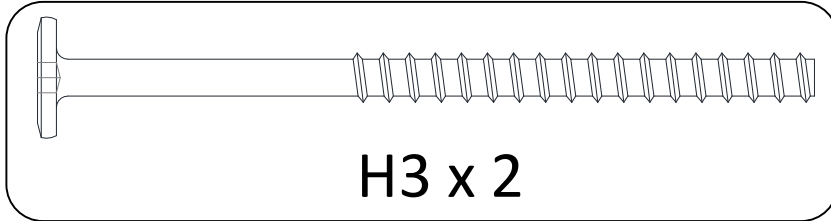
## Step 2

The cutout and flat surface of Lower Headboard /  
Footboard Panel (T) point in the same direction



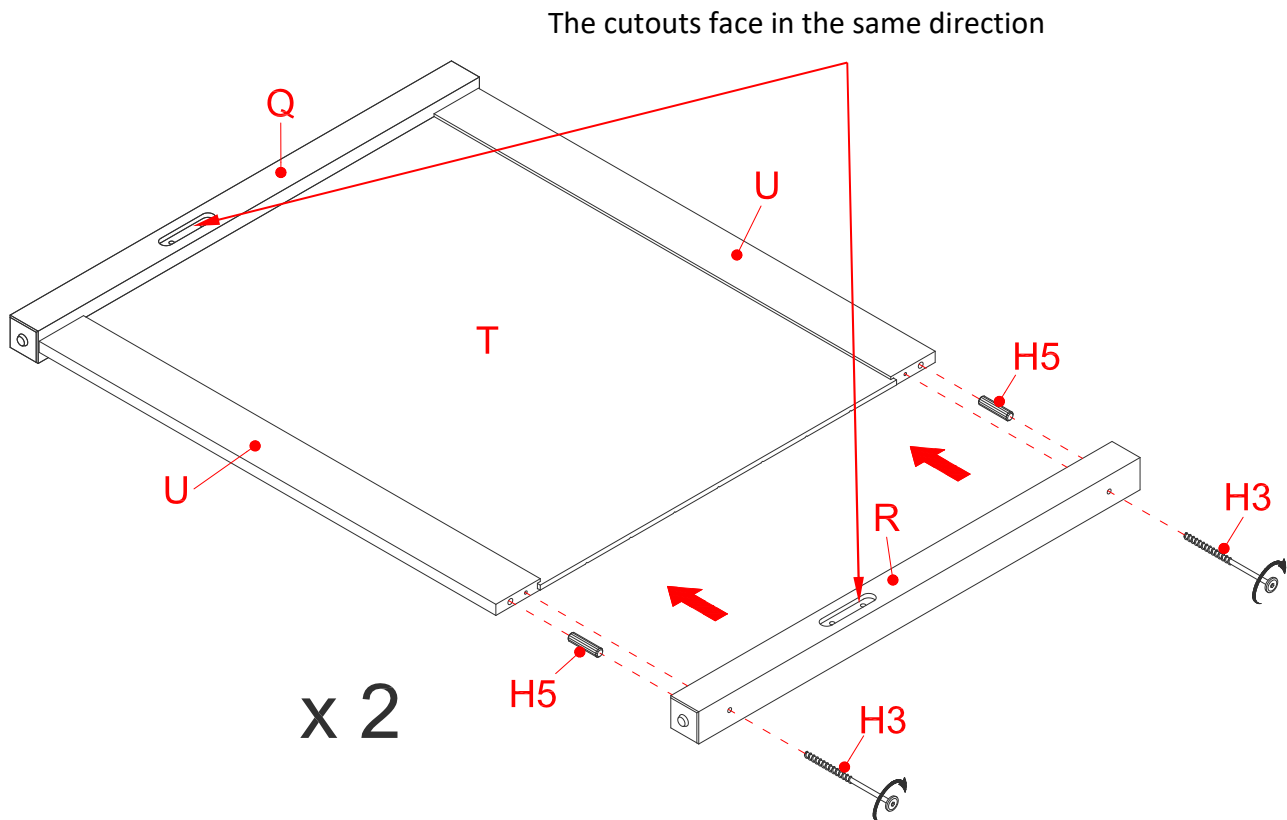
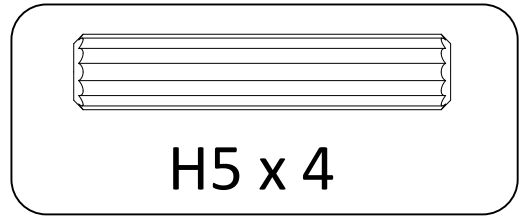
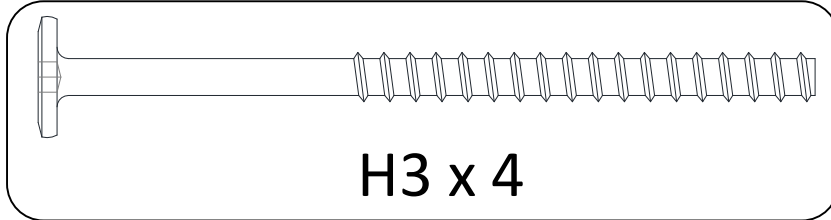
- Slide one Lower Headboard Panel (T) into the grooves on both Bottom Crossbar (U) and Lower Headboard Front Post (Q).
- Repeat the same procedure to slide the other Lower Footboard Panel (T) to the Lower Footboard Back Post (Q) and another Bottom Crossbar (U).

## Step 3



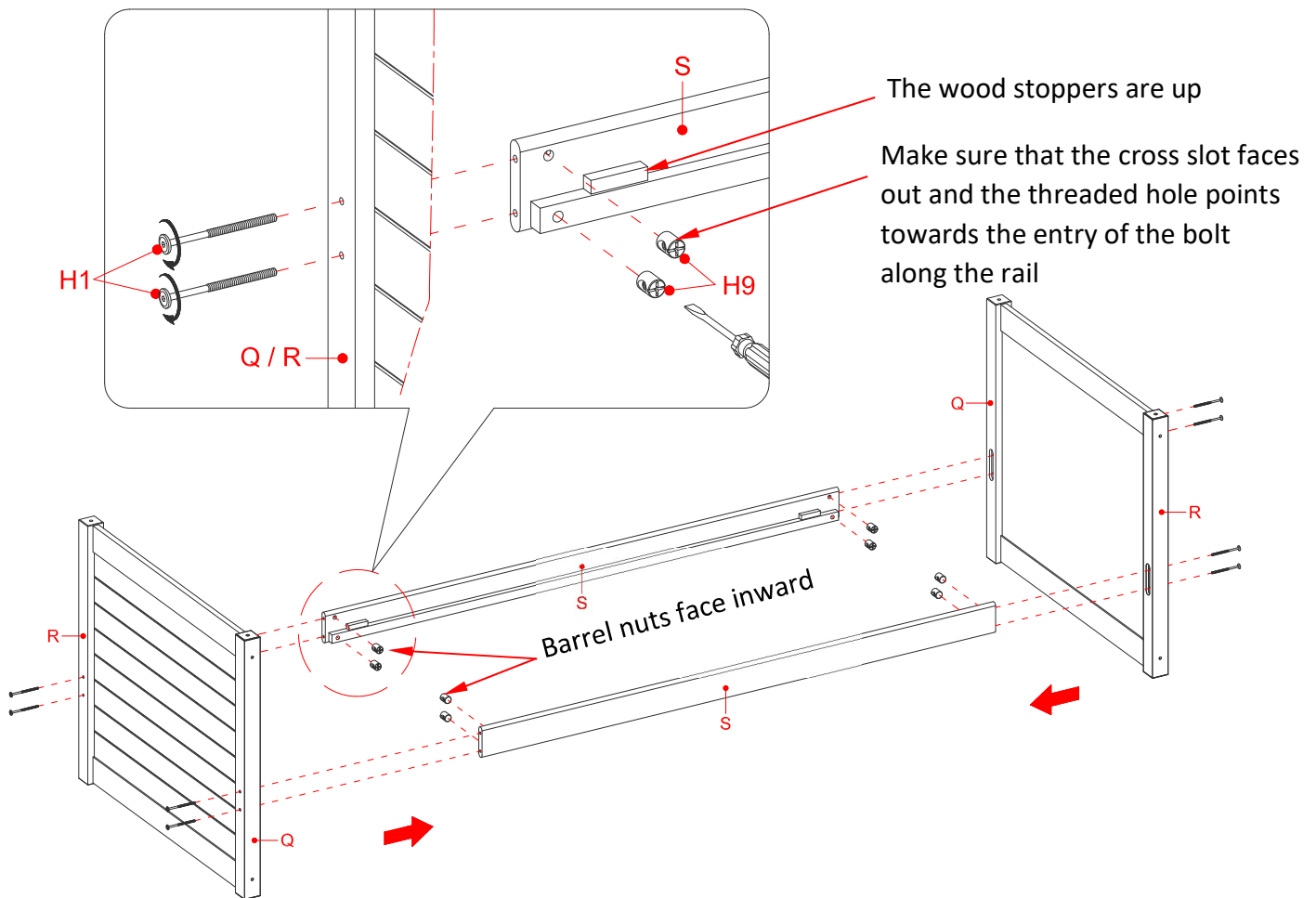
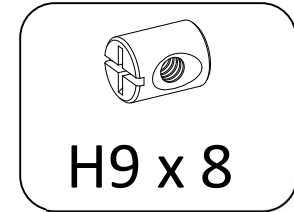
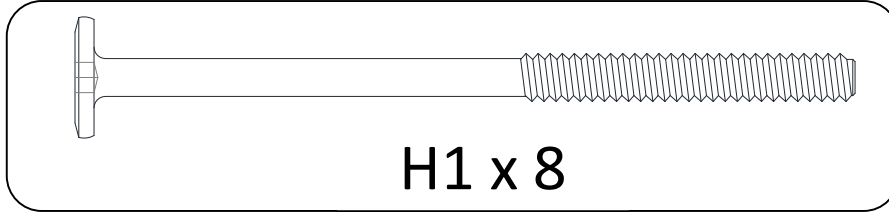
- Fit the groove of another Bottom Crossbar (U) onto the Lower Headboard Panel (T) and attach it to the Lower Headboard Front Post (Q) using one 50 mm Wood Dowel (H5) and one 100 mm Tapping Bolt (H3). Securely tighten the bolt with the provided hex wrench.
- Repeat the same procedure to attach another Bottom Crossbar (U) onto the other Lower Headboard Panel (T) and attach it to the Lower Footboard Back Post (Q).

## Step 4



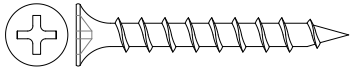
- Insert one 50 mm Wood Dowel (H5) into the end large hole of each Bottom Crossbar (U) and attach them to the Lower Headboard Back Post (R) with two 100 mm Tapping Bolt (H3). Securely tighten the bolts with the provided hex wrench.
- Repeat the same procedure to form the lower footboard.

## Step 5

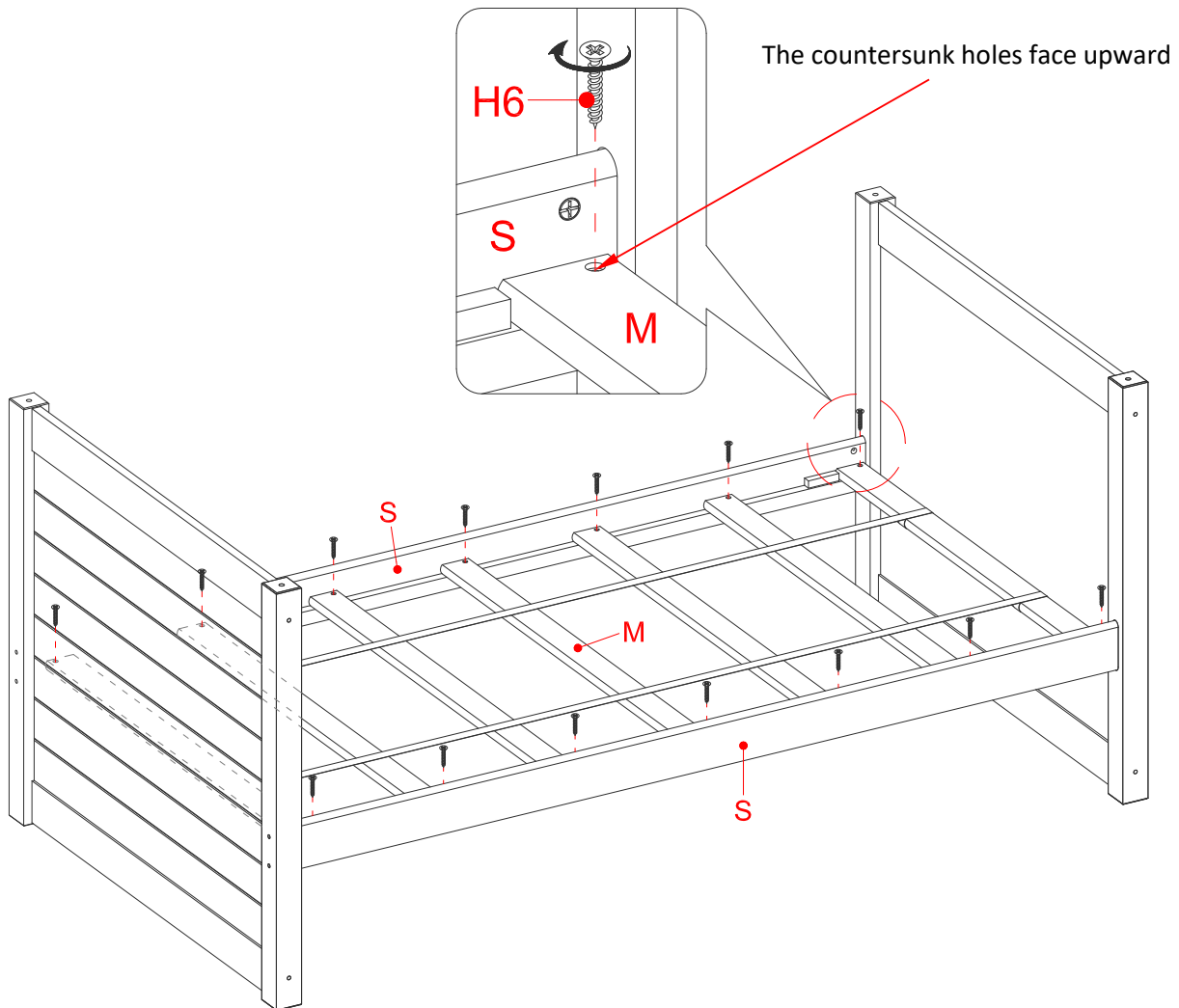


- Insert two Barrel Nuts (H9) into each end of the Lower Mattress Side Rails (S). Be sure that the cross slot on the Barrel Nut faces out and the threaded hole points towards the entry of the bolt along the rail.
- Bolt two Lower Mattress Side Rails (S) between the assembled headboard and footboard by using the 100 mm Bolts (H1) through the drilled holes on the posts and screw into the Barrel Nuts (H9) in the Lower Mattress Side Rails (S). Make sure that the wood stoppers attached to the Mattress Side Rail for slats are up and face inward.

## Step 6

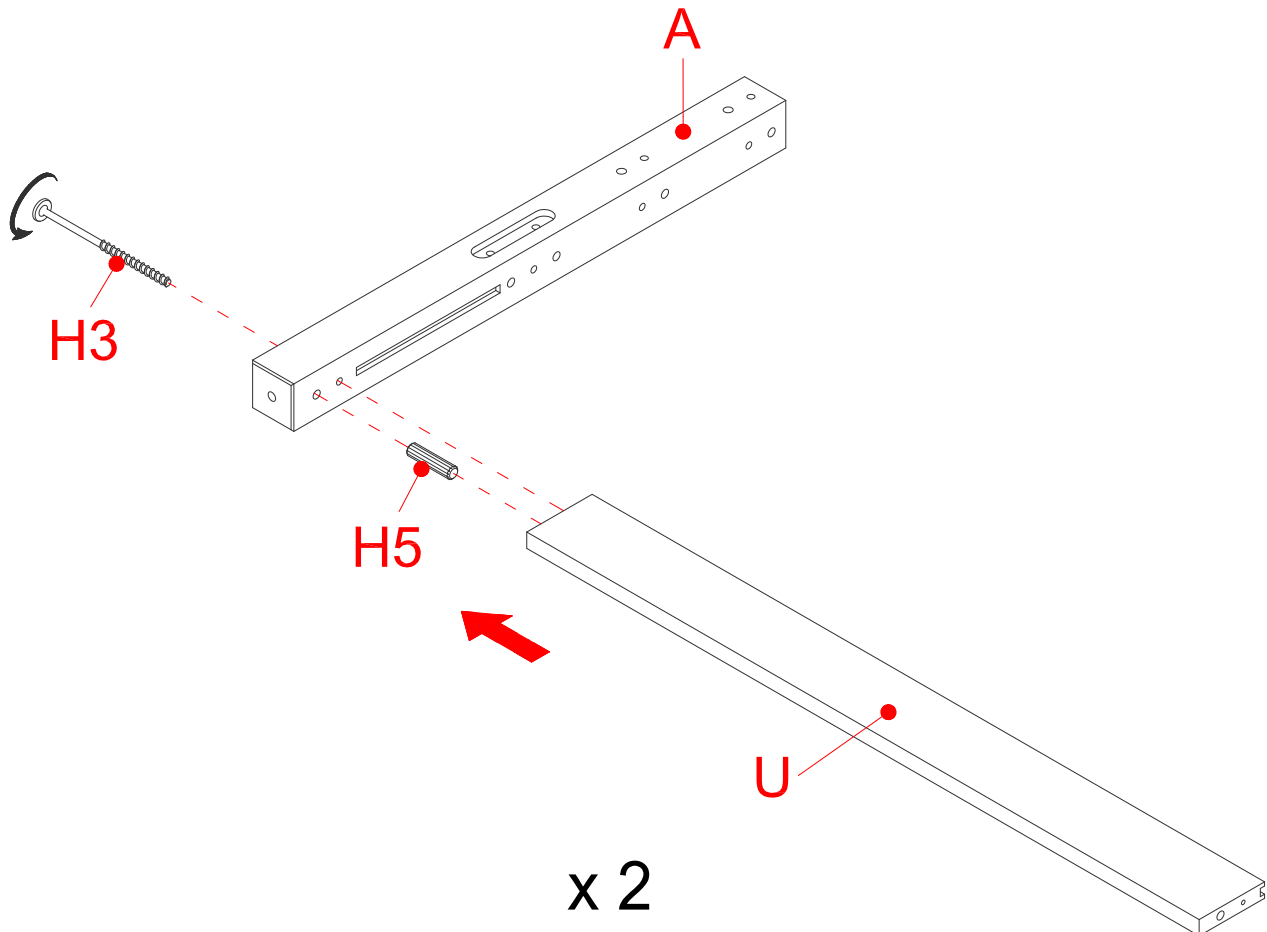
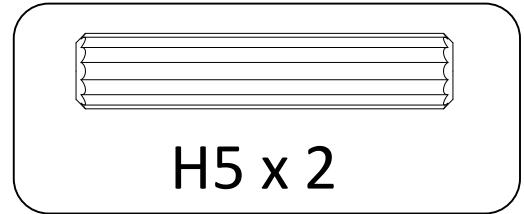
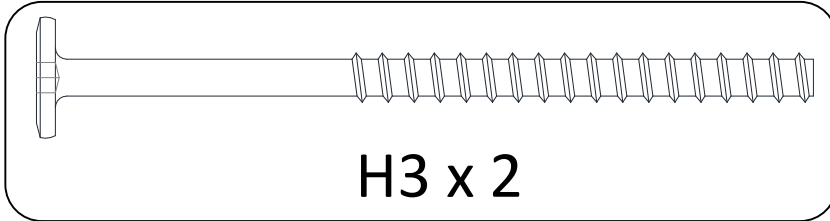


H6 x 14



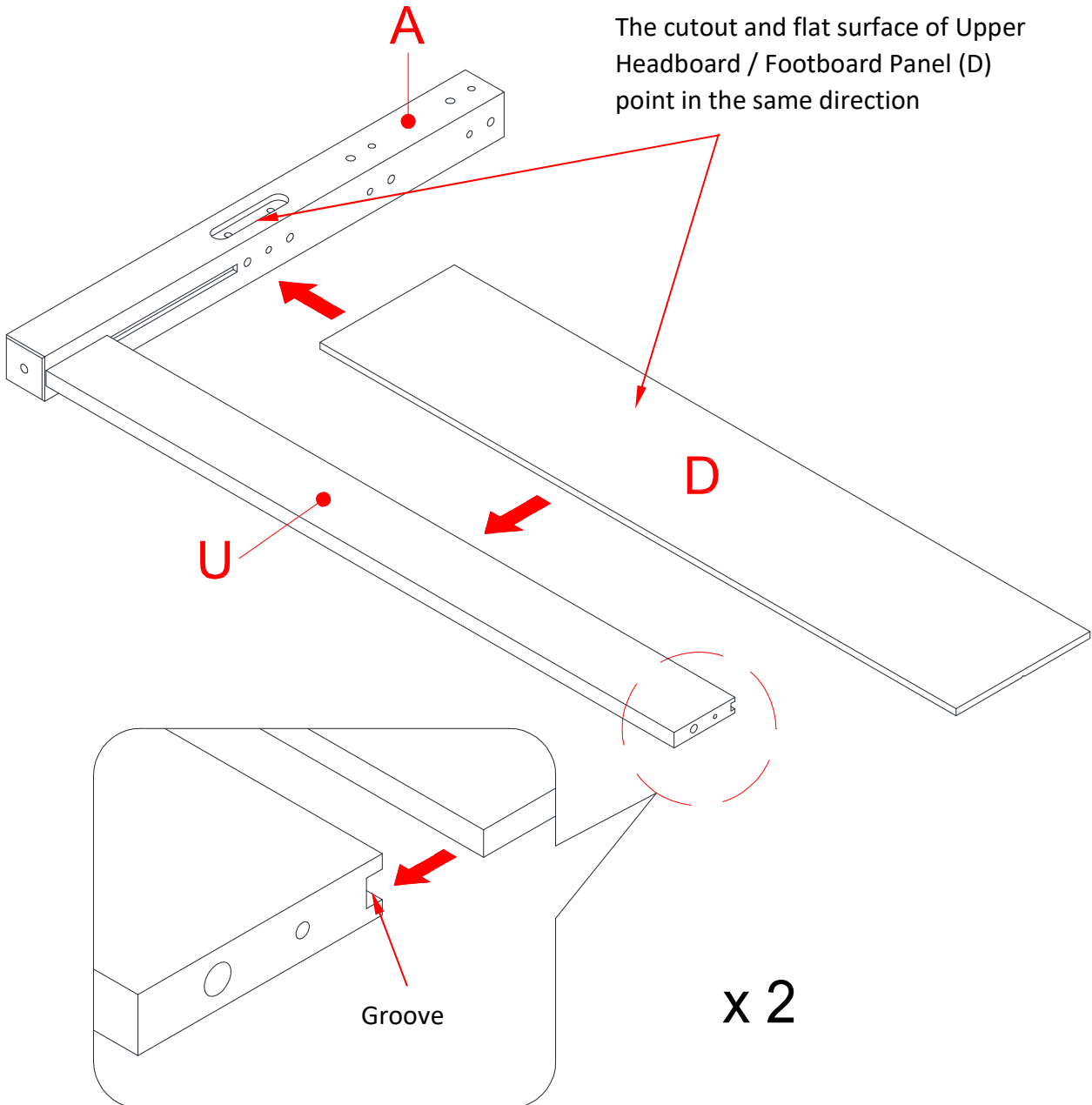
- a) Lay out one Mattress Support Slats (M) onto the strips on the Lower Mattress Side Rails (S). Make sure that the end slats are located close to the Lower Posts. Insert and screw the 35 mm Screws (H6) into the countersunk holes on each slat. Tighten the screws using a Phillips screwdriver.

## Step 7



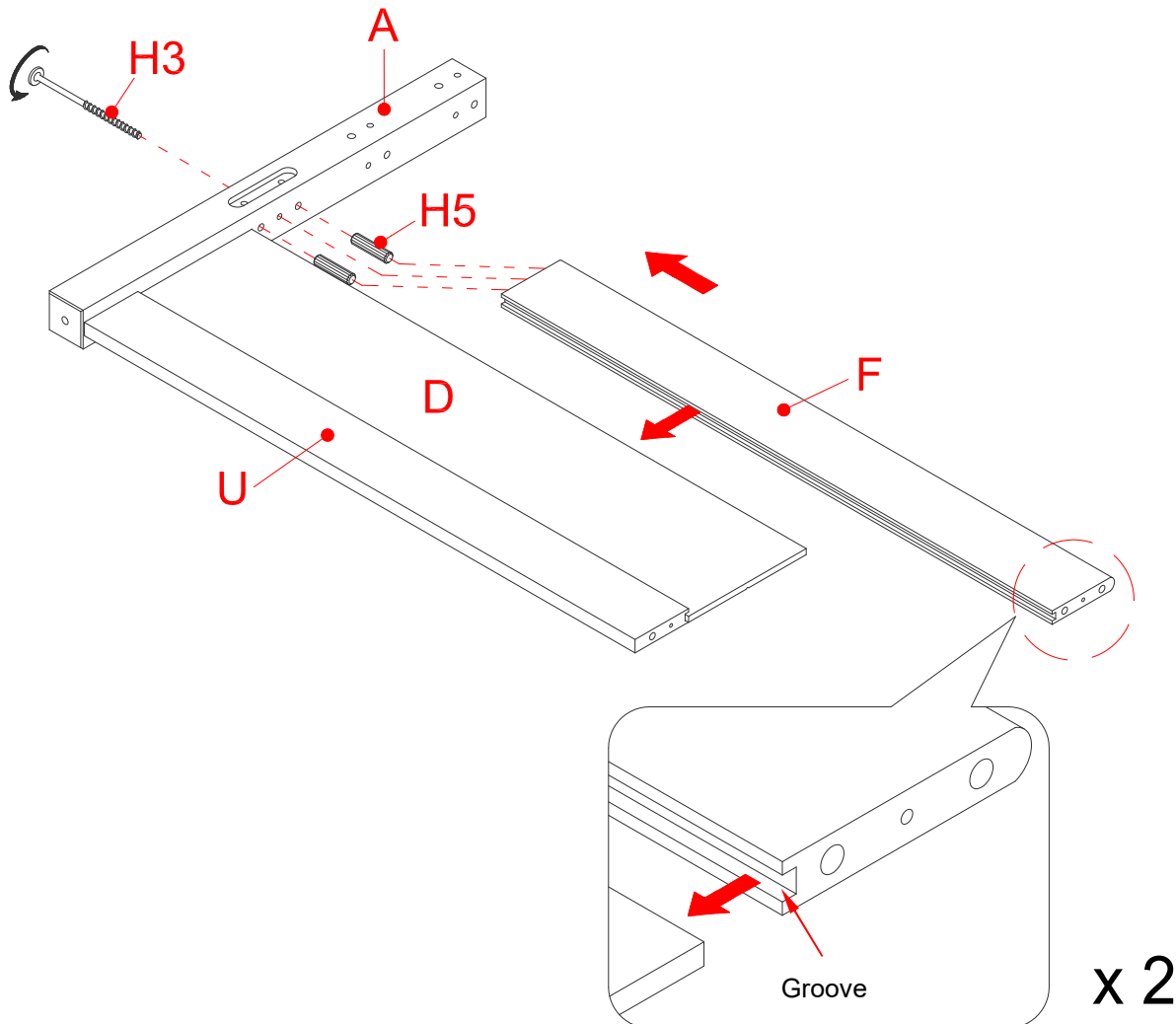
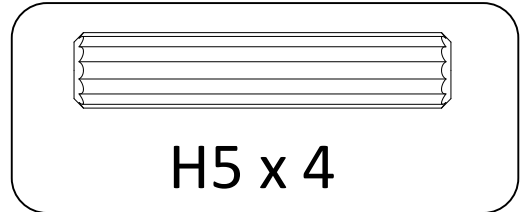
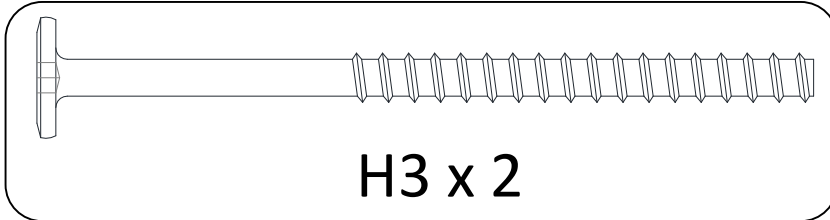
- Insert one 50 mm Wood Dowel (H5) into the end large hole of one Bottom Crossbar (U) and attach it to the Upper Headboard Front Post (A) using one 100 mm Tapping Bolt (H3). Securely tighten the bolt with the provided hex wrench.
- Repeat the same procedure to combine the Upper Footboard Back Post (A) and another Bottom Crossbar (U) together.

## Step 8



- Slide the Upper Headboard Panel (D) into the grooves on both Bottom Crossbar (U) and Upper Headboard Front Post (A).
- Repeat the same procedure to slide the Upper Footboard Panel (D) to the Upper Footboard Back Post (A) and another Bottom Crossbar (U).

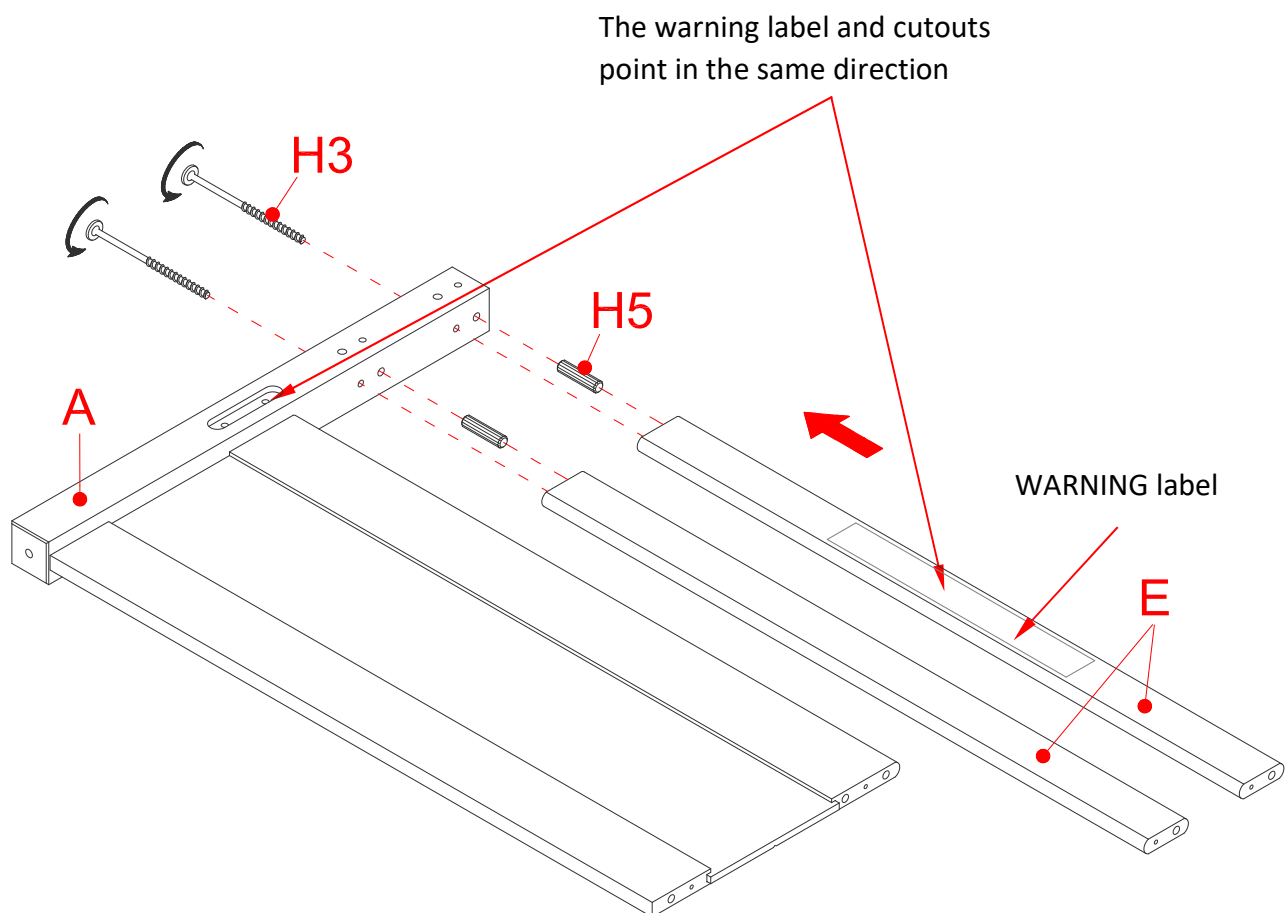
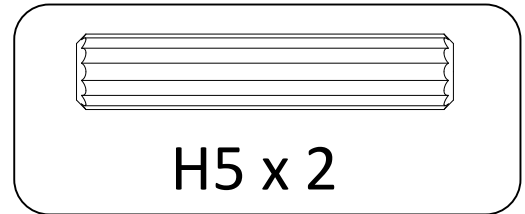
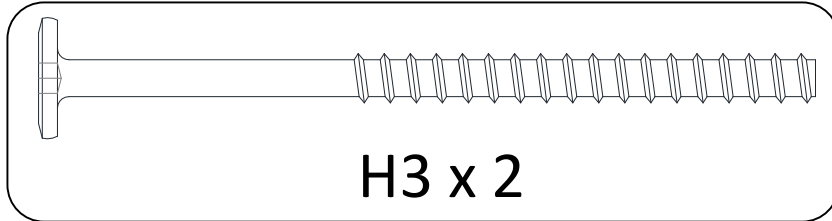
## Step 9



- Fit the groove of one Upper Middle Crossbar (F) onto the Upper Headboard Panel (D) and attach it to the Upper Headboard Front Post (A) using two 50 mm Wood Dowels (H5) and one 100 mm Tapping Bolt (H3). Securely tighten the bolt with the provided hex wrench.
- Repeat the same procedure to attach the other Upper Middle Crossbar (F) onto the other Upper Headboard Panel (D) and attach it to the Upper Footboard Back Post (A).

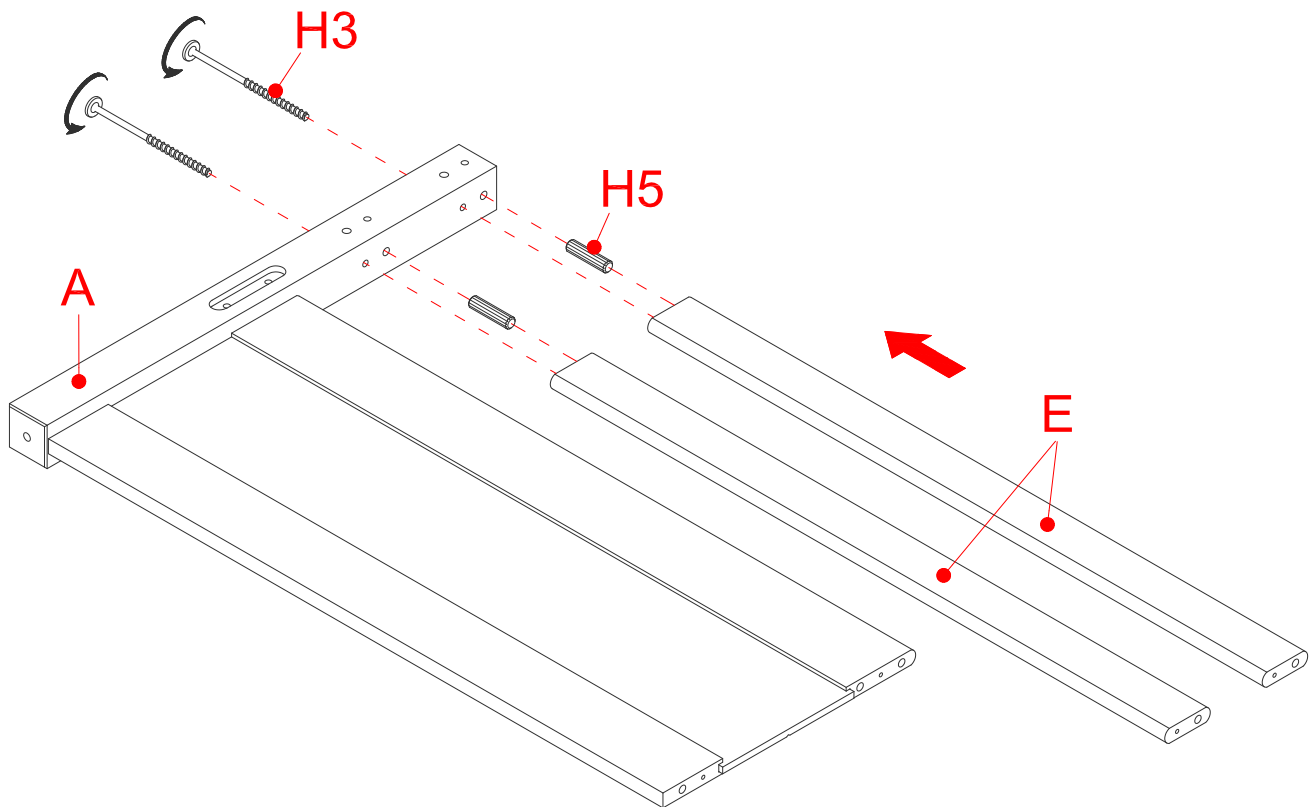
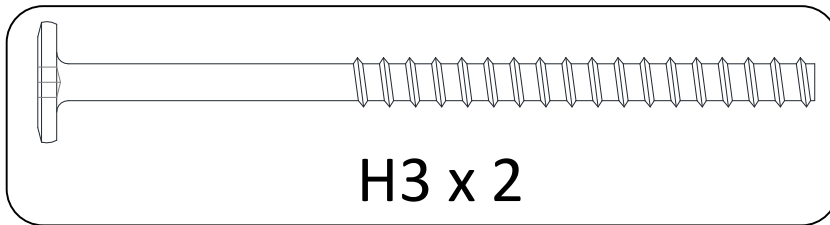


## Step 10



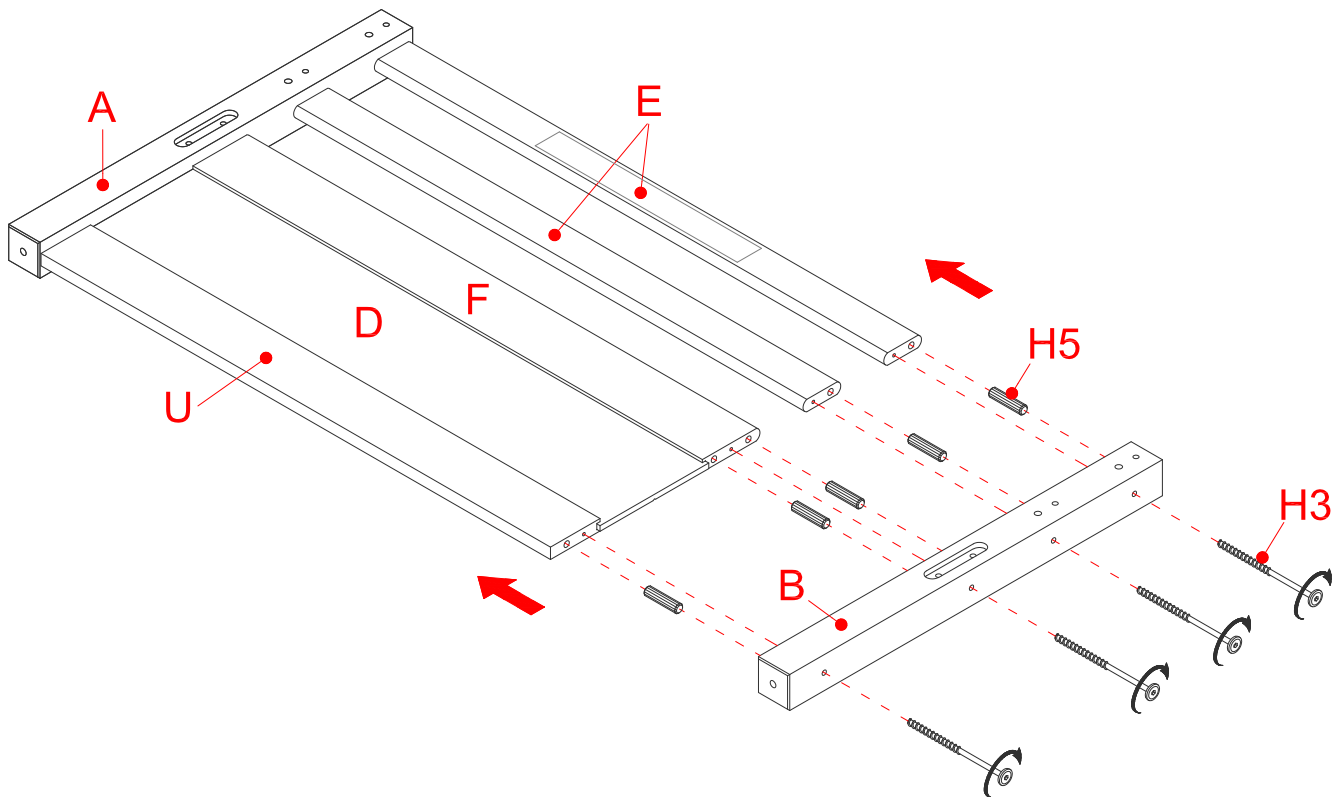
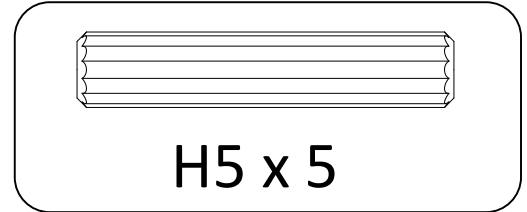
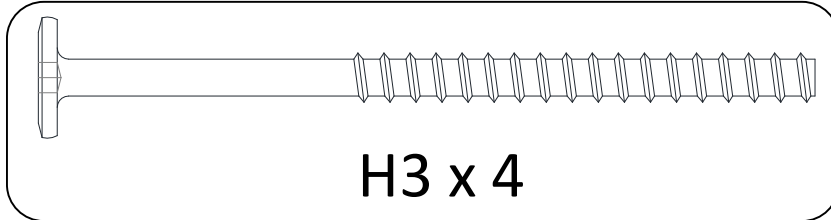
- Insert one 50 mm Wood Dowel (H5) into the end large hole of each Upper Top Crossbar (E) and attach it to the Upper Headboard Front Post (A) using one 100 mm Tapping Bolt (H3) respectively. Securely tighten the bolts with the provided hex wrench.

## Step 11



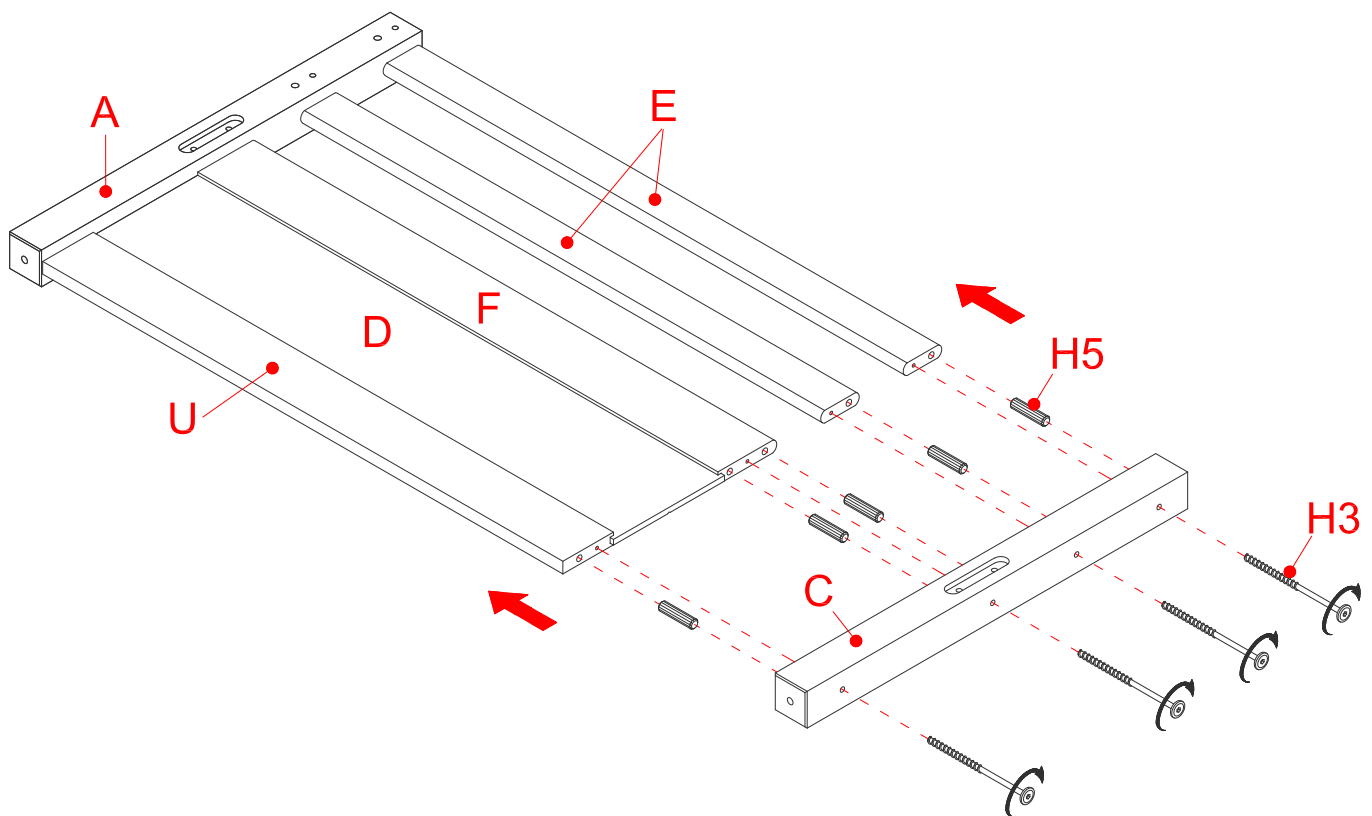
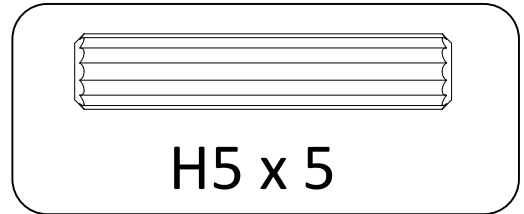
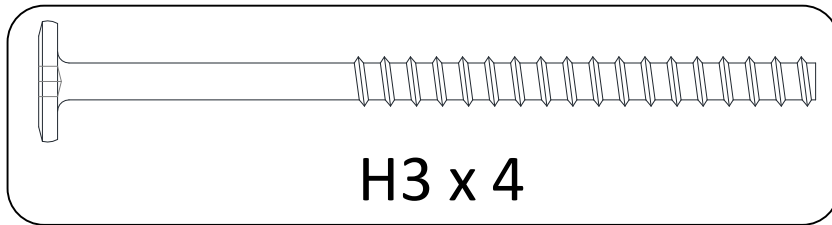
- a) Repeat the previous step to attach another two Upper Top Crossbar (E) to the Upper Footboard Back Post (A) using two 100 mm Tapping Bolts (H3) and two 50 mm Wood Dowels (H5). Securely tighten the bolts with the provided hex wrench.

## Step 12



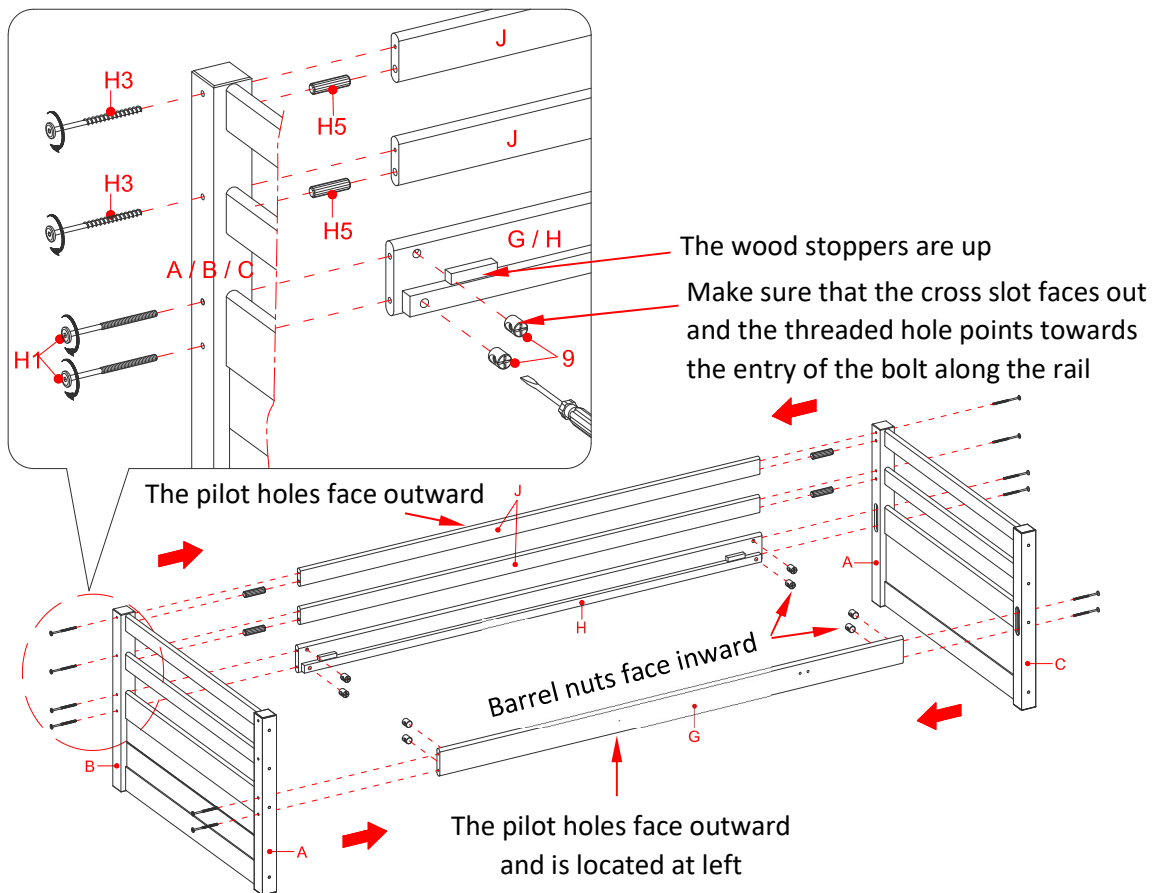
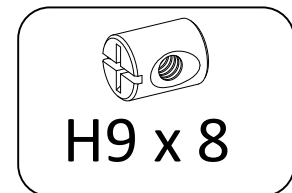
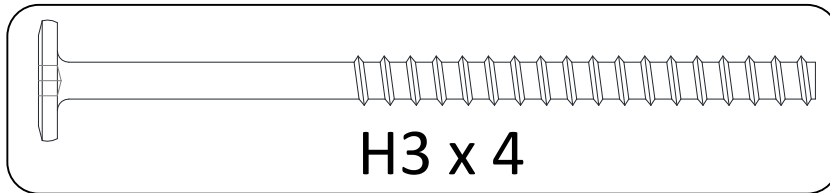
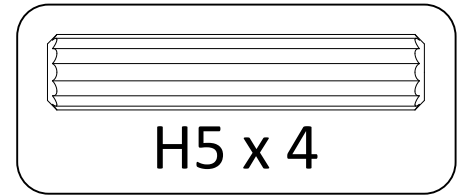
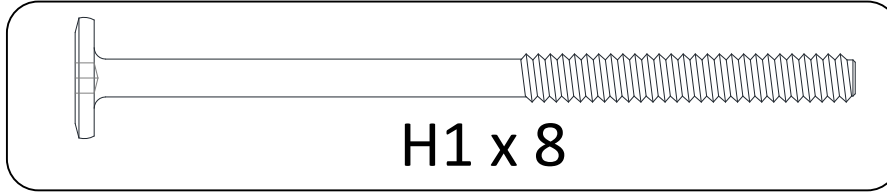
- a) Align and attach the Upper Headboard Back Post (B) to the previous assembly with warning label using four 100 mm Tapping Bolts (H3) and five 50 mm Wood Dowels (H5). Securely tighten the bolts with the provided hex wrench.

## Step 13



- a) Repeat the previous step to attach the Upper Footboard Front Post (C) to the other previous assembly with four 100 mm Tapping Bolts (H3) and five 50 mm Wood Dowels (H5). Securely tighten the bolts with the hex wrench provided.

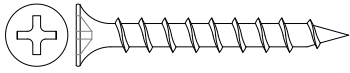
## Step 14



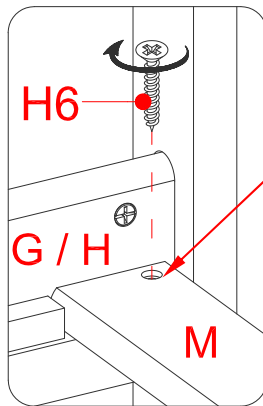
- Insert the 50 mm Wood Dowels (H5) into the drilled large holes of Long Guardrail (J) at both ends. Attach 2 Long Guardrails (J) between the Upper Posts (A and B) with 100 mm Tapping Bolts (H3).
- Attach the Upper Mattress Side Rail (H) between the Upper Posts (A and B) with four 100 mm Bolts (H1) and four Barrel Nuts (H9). Make sure the wood stoppers for slats attached on side rail are up and face inward.
- Orient and attach the Upper Ladder Side Rail (G) between the Upper Posts (A and C) using four 100 mm Bolts (H1) and 4 Barrel Nuts (H9). Make sure the wood stoppers for slat attached on side rail are up and face inward.

Need Assistance? Visit us at: [samsclub.com/membersmarkhelp](http://samsclub.com/membersmarkhelp)

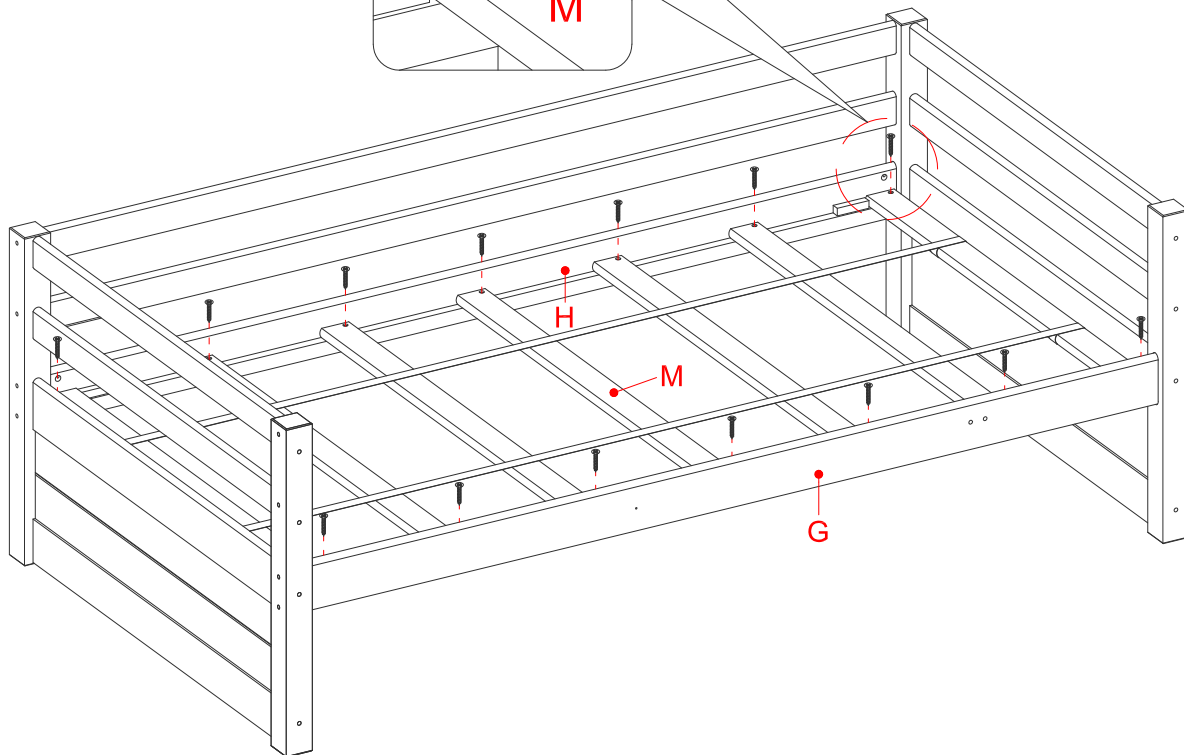
## Step 15



H6 x 14

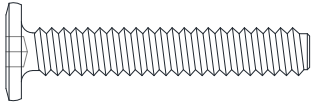


The countersunk holes face upward

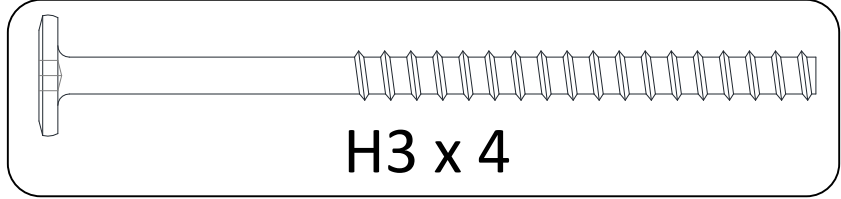


- a) Lay out the other Mattress Support Slats (M) onto the strips on the Upper Ladder Side Rail (G) and the Upper Mattress Side Rail (H). Insert and screw 35 mm Screws (H6) into the countersunk holes on each slat. Tighten the screws using a Phillips screwdriver.

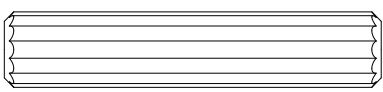
## Step 16



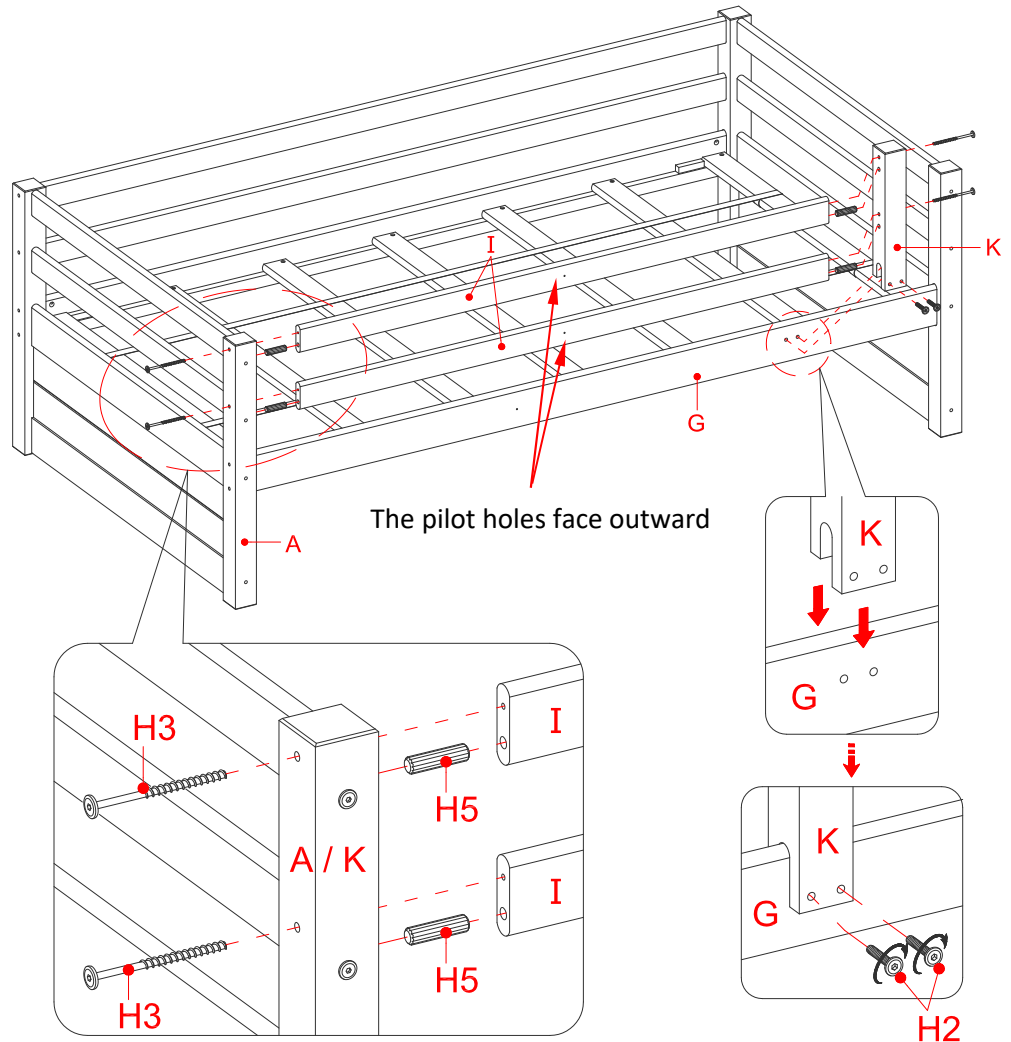
H2 x 2



H3 x 4

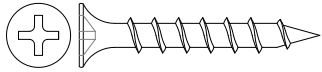


H5 x 4

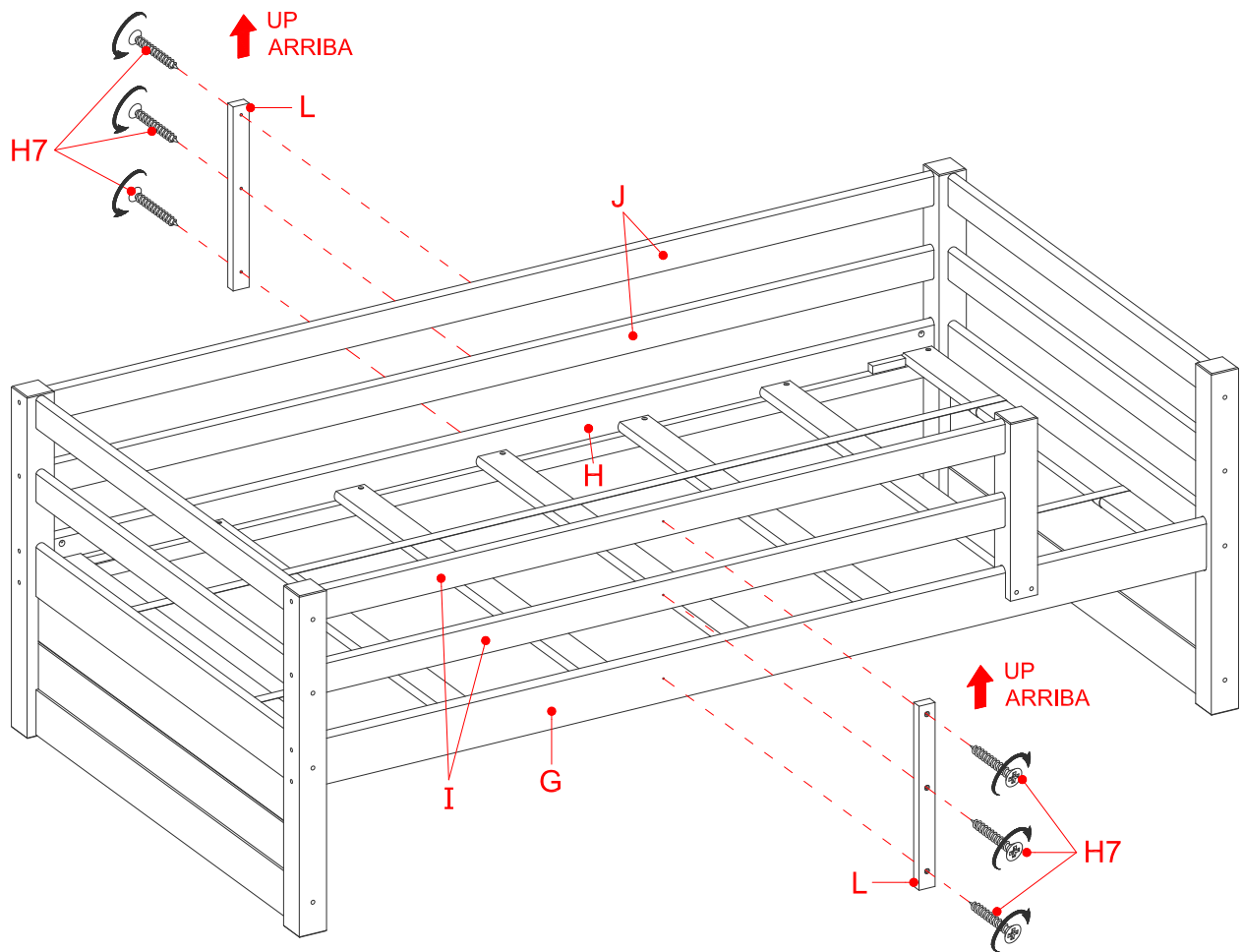


- Insert the 50 mm Wood Dowels (H5) into the end large holes of Short Guardrails (I) as a guide. Attach two Short Guardrails (I) between the Upper Headboard Front Post (A) and Front Guardrail Post (K) with four 100 mm Tapping Bolts (H3).
- Fasten the Front Guardrail Post (K) to the Upper Ladder Side Rail (G) with two 38 mm Bolts (H2), using the enclosed hex wrench.

## Step 17



H7 x 6

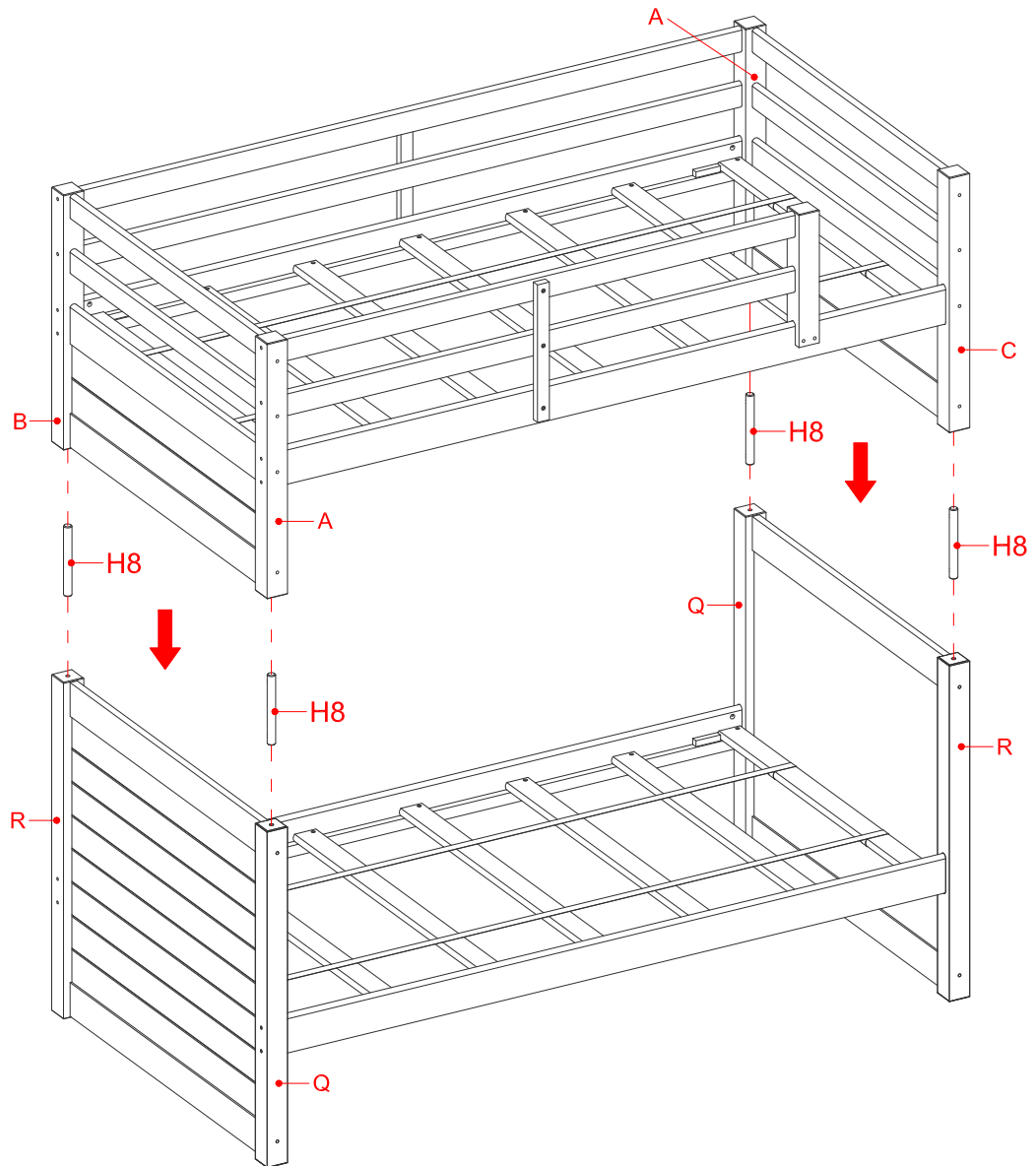
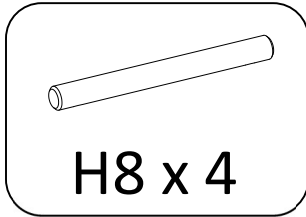


- With the pilot holes as a guide, align and attach one Guardrail Support (L) to the center of the Long Guardrails (J) and Upper Mattress Side Rail (H) using three 30 mm Screws (H7) through the countersunk holes and screw into place.
- Repeat the same procedure to attach the other Guardrail Support (L) to the Short Guardrails (I) and the Upper Ladder Side Rail (G).

Need Assistance? Visit us at: [samsclub.com/membersmarkhelp](http://samsclub.com/membersmarkhelp)



## Step 18

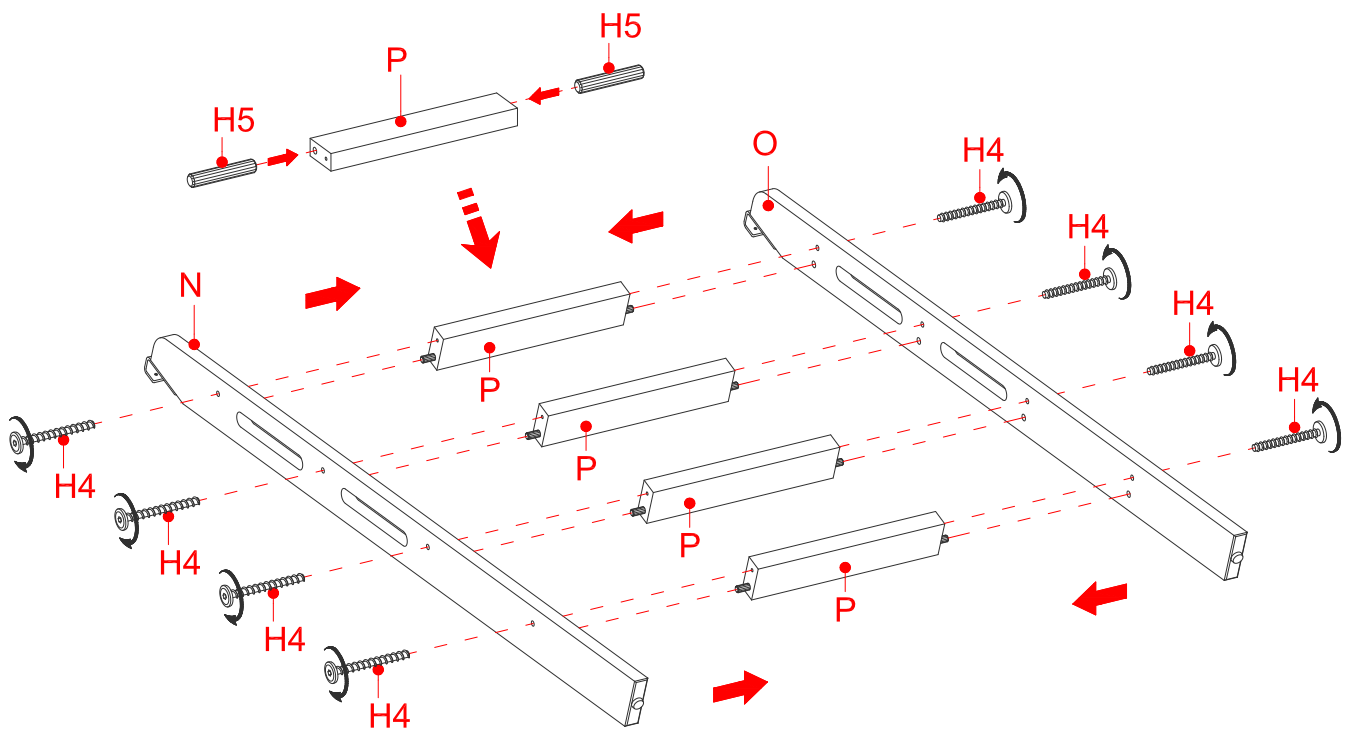
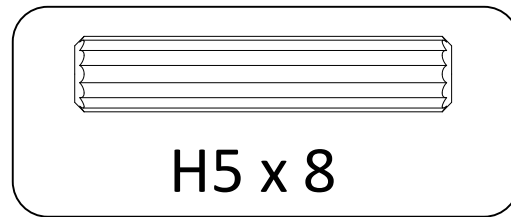
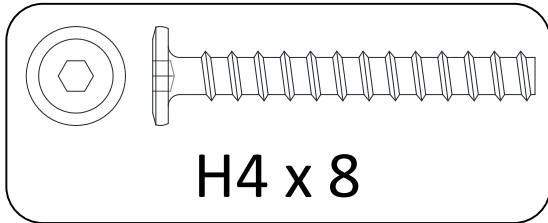


- Now, place the lower bunk in the desired location in the room where the bunk bed will sit.
- Insert four Bed Connector Pins (H8) into the Lower Posts (Q and R).
- Ask for assistance to stack the Upper Posts (A, B and C) onto the Bed Connector Pins (H8) on the Lower Posts (Q and R).

**NOTE:** Make sure that the upper bunk sits completely on the top of the lower bunk and the connector pins, not leaving any gaps.

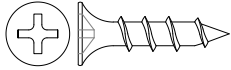
Need Assistance? Visit us at: [samsclub.com/membersmarkhelp](https://samsclub.com/membersmarkhelp)

## Step 19

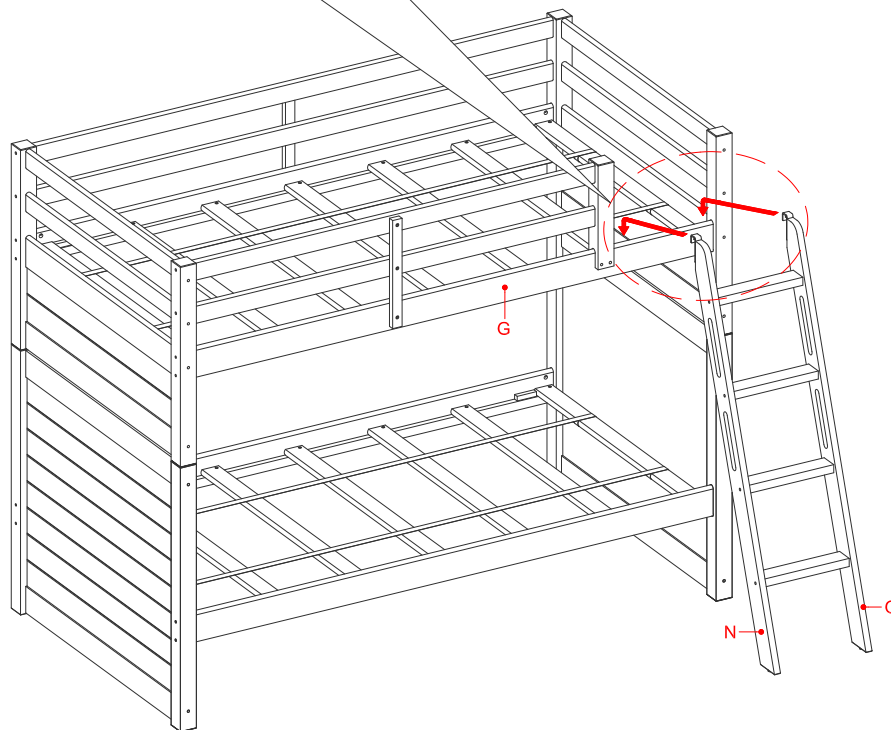
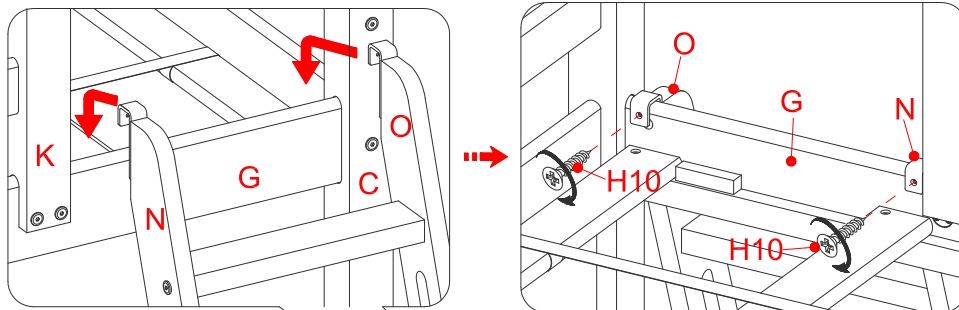


- Insert two 50 mm Wood Dowels (H5) into the large holes of each Ladder Step (P) at both ends.
- Attach Left and Right Ladder Supports (N and O) to the Ladder Steps (P) using the 48 mm Tapping Bolts (H4). Securely tighten all bolts with the enclosed hex wrench.

## Step 20



H10 x 2



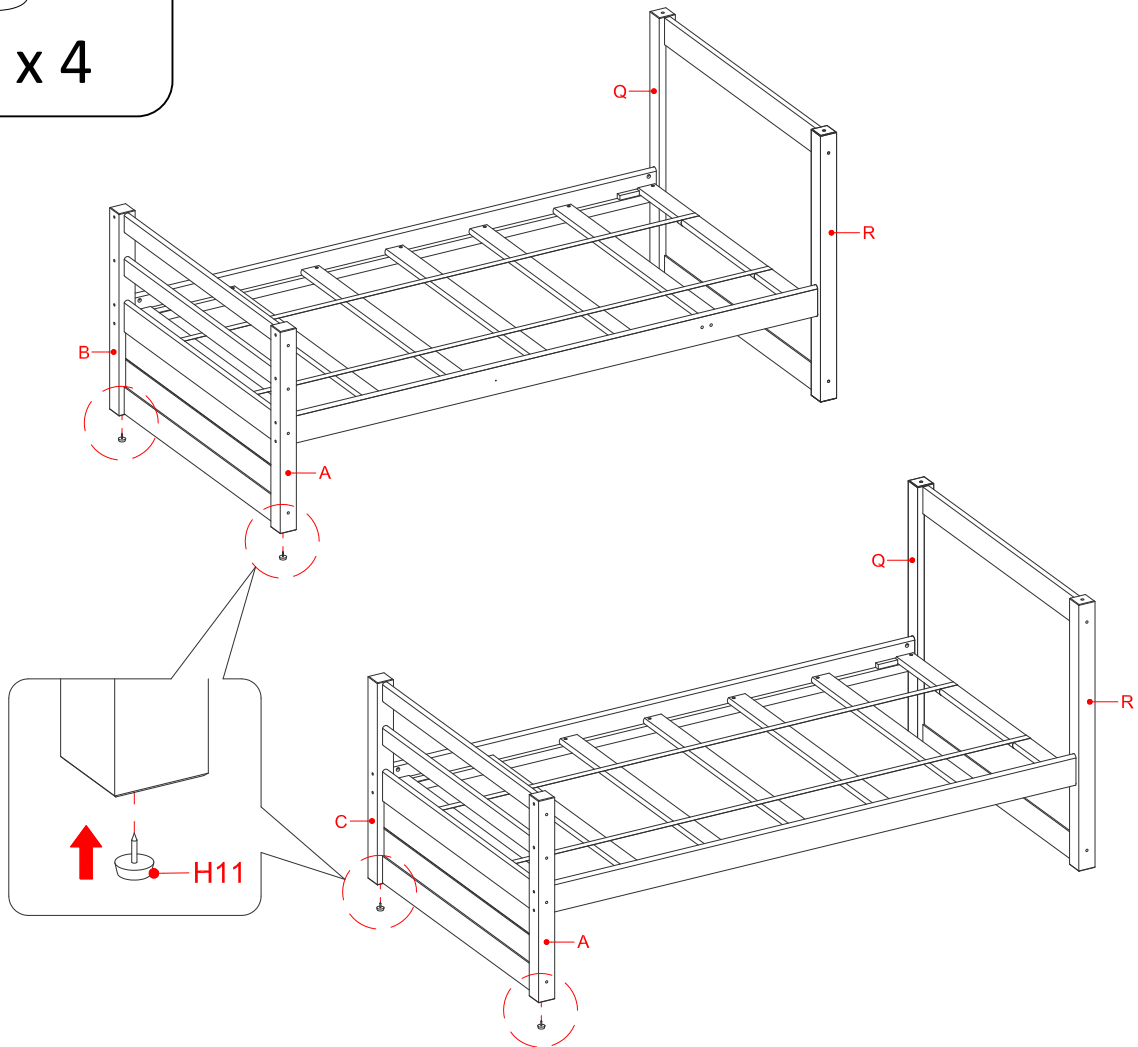
- a) Hook the Ladder securely over the top of the Ladder Side Rail (G), between the Upper Footboard Front Post (C) and the Front Guardrail Post (K) in the opening provided. Secure the Ladder Hooks in place by using two 19 mm Screws (H10).

**ONLY USE LADDER IN THIS LOCATION AND SECURE WITH 2 SCREWS. PLEASE MAKE SURE YOU INSTALL THE LADDER AGAINST THE FRONT GUARDRAIL POST.**

## Disassembling the Bunk Bed



H11 x 4



- To convert the bunk bed back into two identical twin beds, first unscrew the bolts to remove the Ladder and all Guardrails.
- Have an assistant help to remove the Upper Bunk from the Lower Bunk.
- Disassemble the side rails from all headboards (Upper and Lower Bunks).
- Re-assemble the headboards (with tall posts) and footboards (with short posts) to Side Rails as shown. Attach the Floor Protectors (H11) onto the bottom of the footboard posts, as shown in the illustration.

**NOTE:** Switching the headboards will allow the two single beds to be identical (the headboards will have taller posts and the footboards will have the shorter posts).

Need Assistance? Visit us at: [samsclub.com/membersmarkhelp](https://www.samsclub.com/membersmarkhelp)



## Warning

### **TO HELP PREVENT SERIOUS OR FATAL INJURIES FROM ENTRAPMENT OR FALLS**

- Follow the information on the warnings appearing on the upper bunk end structure and on the carton. Do not remove warning label from bed.
- Always use the recommended size mattress or mattress support, or both, to help prevent the likelihood of entrapment or falls.
- Surface of mattress must be at least 12.7 cm (5 in.) below the upper edge of guardrails.
- Do not allow children under 6 years of age to use the upper bunk.
- Periodically check and ensure that the guardrail, ladder and other components are in their proper position, free from damage and that all connectors are tight.
- Do not allow horseplay on or under the bed and prohibit jumping on the bed.
- Always use the ladder for entering and leaving the upper bunk.
- Do not use substitute parts. Contact the manufacturer or dealer for replacement parts.
- Use of a night light may provide added safety precaution for a child using the upper bunk.
- Always use guardrails on both long sides of the upper bunk. If the bunk bed will be placed next to the wall, the guardrail that runs the full length of the bed should be placed against the wall to prevent entrapment between the bed and wall.
- The use of water or sleep flotation mattress is prohibited.
- **STRANGULATION HAZARD** – Never attach or hang items to any part of the bunk bed that are not designed for use with the bed; for example, but not limited to, hooks, belts, and jump ropes.
- Prohibit more than one person on upper bunk.
- Keep these instructions for future reference.



# Assembly Instructions & User's Manual

## Danger

STRANGULATION HAZARD – Never attach or hang items to any part of the bunk bed that are not designed for use with the bed; for example, but not limited to, hooks, belts, and jump ropes.

## Troubleshooting

Problem	Possible Cause	Prevention / Solution
Bed creak	The fasteners are loose	Check all bolts, screws and brackets periodically and tighten them if necessary
Scratches / Nicks	Assembly or shipping damage	Use a repair stick that matches the paint surface to cover

## Care & Use Instructions

Care	Use a soft, clean cloth that will not scratch the surface when cleaning.
	Use of furniture polish is not necessary. Should you choose to use polish, test first in an inconspicuous area.
Use	Using solvents of any kind on your furniture may damage the finish.
	Never use water to clean your furniture as it may cause damage to the finish.
	Liquid spills should be removed immediately. Using a soft, clean cloth, blot the spill gently. Avoid rubbing.
	Do not place furniture in direct sunlight.

## Storage Instructions

Item SM3FTOT	<ol style="list-style-type: none"> <li>Carefully place all components into shipping box and/or provided container tape it shut.</li> <li>When not in use, please store your item in a cool, dry place away from sunlight.</li> <li>Exposing your item to excessive heat or humidity may damage your item.</li> </ol>
-----------------	--



# Assembly Instructions & User's Manual

## Limited Warranty Information

This product is covered by the Sam's Club Member Satisfaction Guarantee. Please visit [samsclub.com](https://samsclub.com) for more information.

This product's components have a one-year guarantee against defects in material and/or workmanship. If you have any questions regarding the warranty or spare / replacement parts, please call our toll-free number **1-866-942-5362** or email us at [parts@whalenfurniture.com](mailto:parts@whalenfurniture.com).

**NOTE:** Please consider recycling all applicable packaging material.

**Distributed by Sam's West Inc.**  
2101 SE Simple Savings Dr.  
Bentonville, Arkansas 72716-0745  
Made in Vietnam

**Need Assistance? Visit us at: [samsclub.com/membersmarkhelp](https://samsclub.com/membersmarkhelp)**









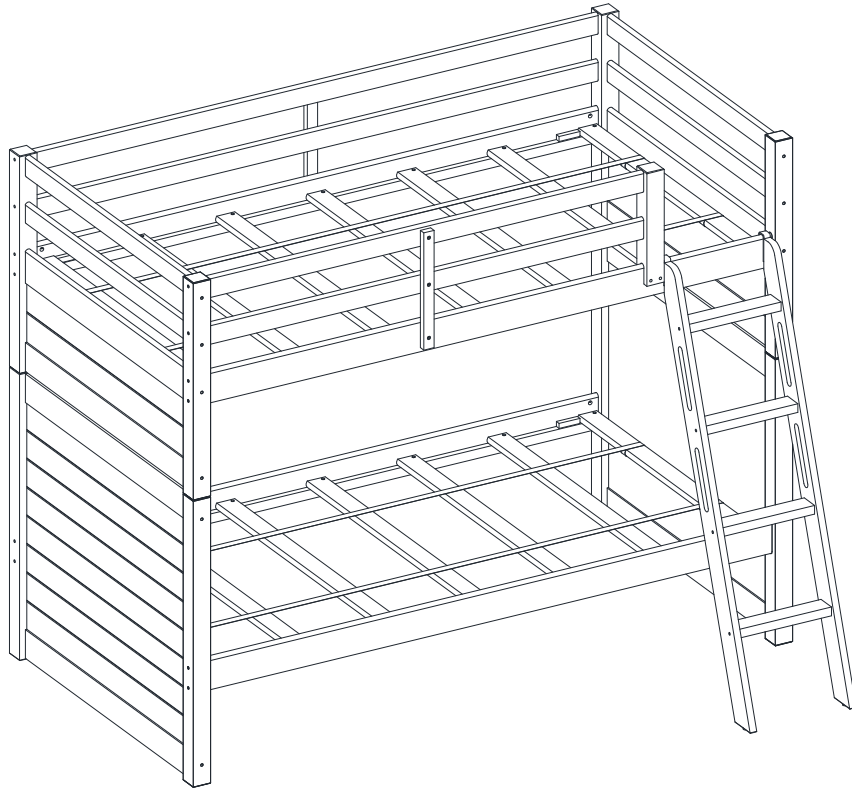
# Instrucciones de ensamble y manual del usuario

## Litera Individual Tatum

Número del modelo: SM3FTOT

Asistencia al cliente (partes extras/de repuesto): 1-866-942-5362

o mande un correo electrónico a: [parts@whalenfurniture.com](mailto:parts@whalenfurniture.com)



### 3D instructions | Instrucciones 3D

**Tap. Zoom. Rotate** with official interactive instructions on the BILT app.

**Toque. Amplíe. Rote** con las instrucciones interactivas oficiales en la aplicación BILT.





**BILT**



NÚMERO de LOTE: \_\_\_\_\_ FECHA de COMPRA: \_\_\_\_/\_\_\_\_/\_\_\_\_

**ESTÉ INSTRUCTIVO CONTIENE INFORMACIÓN DE SEGURIDAD IMPORTANTE.  
POR FAVOR LEA Y MANTENGA PARA USO FUTURO.**

## Tabla de contenido

Declaración de calidad .....	3
Información de seguridad importante .....	3
Antes del ensamble .....	3
Cuidado y uso .....	3
Información general .....	4
Recomendaciones y consejos .....	4
Contenidos del paquete .....	5
Información del producto .....	5
Componentes .....	6
Material de ferretería .....	7
Tools.....	7
Paso 1.....	8
Paso 2.....	9
Paso 3.....	10
Paso 4.....	11
Paso 5.....	12
Paso 6.....	13
Paso 7.....	14
Paso 8.....	15
Paso 9.....	16
Paso 10.....	17
Paso 11.....	18
Paso 12.....	19
Paso 13.....	20
Paso 14.....	21
Paso 15.....	22
Paso 16.....	23
Paso 17.....	24
Paso 18.....	25
Paso 19.....	26
Paso 20.....	27
Desmontaje de la litera .....	28
 Advertencia.....	29
 Peligro .....	30
Solución de problemas .....	30
Instrucciones de cuidado y uso .....	30
Instrucciones de almacenaje.....	30
Información de garantía limitada .....	31



# Instrucciones de ensamble y manual del usuario

## Declaración de calidad

¿Preguntas o Comentarios? ¡Nos gustaría escuchar sobre su experiencia Member's Mark!

Visitenos en: [Samsclub.com/membersmarkhelp](https://www.samsclub.com/membersmarkhelp)

## Información de seguridad importante

- Por favor lea todas las instrucciones antes de ensamblar el mueble.
- Donde se pueda, y por su seguridad, se recomienda el ensamble por un adulto.
- Use solo ferretería suplida por el vendedor para ensamblar la unidad. El uso de ferretería no autorizada podría poner en riesgo la integridad estructural de la unidad.
- La ferretería se podría aflojar con el tiempo. Revisar periódicamente que las conexiones estén apretadas

## Antes del ensamble

- Retirar todas las partes y ferretería de la caja. Poner todo sobre una alfombra o en un are libre de rasguños, para evitar daños a las partes durante el ensamble.
- La caja de envío provee una superficie ideal de trabajo.
- Para evitar el desecho accidental de partes o ferretería pequeñas, no tire ningún paquete o contenidos del paquete hasta terminar el ensamble.
- Usar las listas de partes y ferretería para identificar y separar cada una de las piezas incluidas.
- El uso de herramientas eléctricas no está recomendado, a menos que se especifique. Estas herramientas pueden dañar la ferretería o la madera.
- No apretar completamente los pernos/sujetadores hasta que las partes estén en su lugar. La falla de seguir estas instrucciones puede causar que los pernos/sujetadores se desalineen durante el ensamble.

## Cuidado y uso

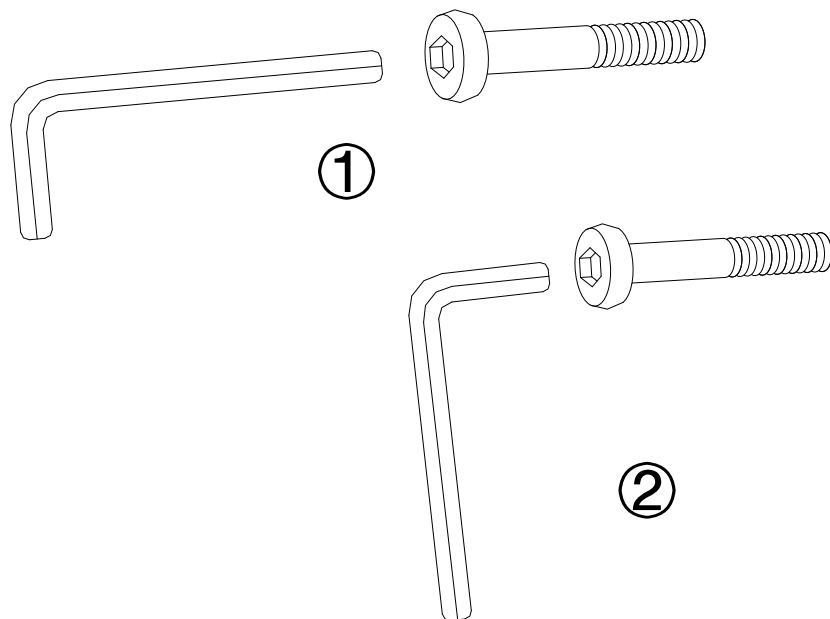
- Use una toalla suave y limpia para evitar daños y rayaduras.
- Uso de cera para pulir muebles no es necesario. Si desea usar cera cheque en un área que no sea visible para verificar su funcionamiento.
- Usar solventes de cualquier tipo puede dañar el terminado del mueble.
- Nunca use agua para limpiar la unidad, ya que le puede dañar el acabado.
- Líquidos derramados deben limpiarse inmediatamente, con una toalla suave evitando tallar.
- En caso de que su unidad sea manchada durante el uso le recomendamos hablar a un profesional para que le ayude.
- No poner el mueble en luz solar directa.

## Información general

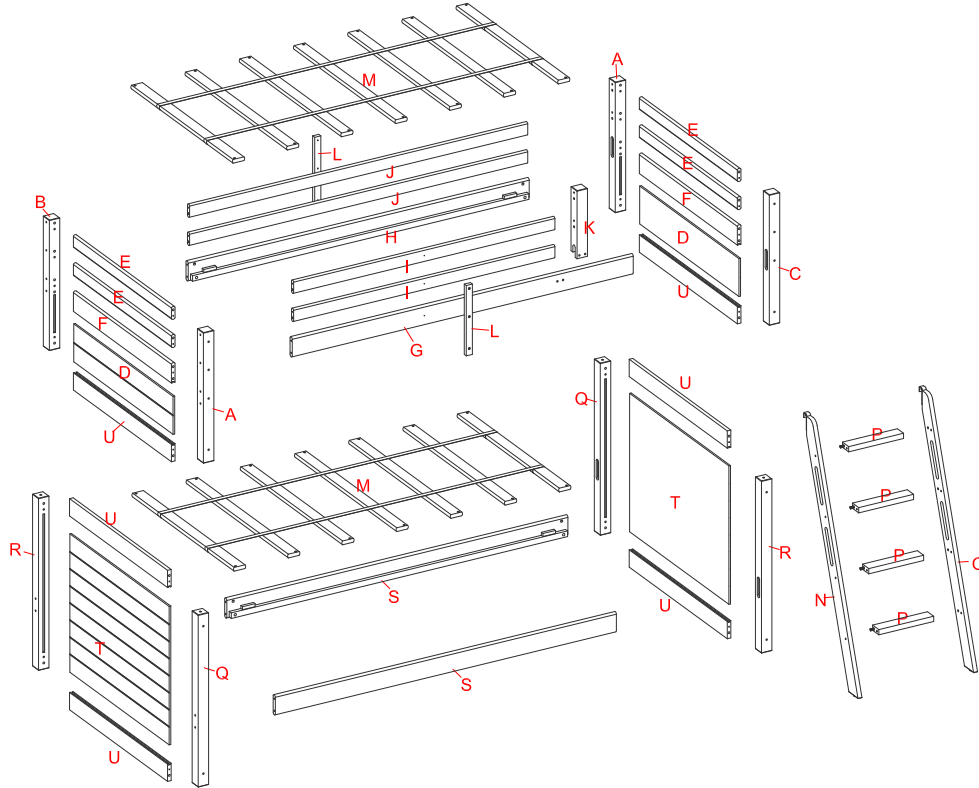
- SIEMPRE USE LOS RIELES DE SEGURIDAD EN AMBOS LADOS LARGOS DE LA LITERA SUPERIOR. SI LA LITERA SE PONE AL LADO DE LA PARED, EL RIEL DE SEGURIDAD QUE CORRE LA LONGITUD DE LA CAMA DEBE PONERSE CONTRA LA PARED PARA PREVENIR QUE SE ATASCAMIENTO ENTRE LA CAMA Y LA PARED.
- PELIGRO DE ESTRANGULACIÓN – Nunca coloque ni cuelgue cosas en alguna parte de la litera que no estén diseñadas para usarse con la misma; por ejemplo, de manera enunciativa, pero no limitativa, ganchos, cinturones o cuerdas para brincar.
- El grosor máximo del colchón no debe exceder 20,32 cm (8 pulgadas). La superficie del colchón debe estar, por lo menos, 12,7 cm (5 pulgadas) debajo de los barandales del borde superior.
- Solo usar un colchón que mida de 1,88 m (74 pulgadas) a 1,90 m (75 pulgadas) de largo y 95,25 cm (37 ½ pulgadas) a 97,79 cm (38 ½ pulgadas) e ancho sobre la litera.
- Partes de repuesto, incluyendo rieles de seguridad adicionales, se pueden obtener de cualquiera de nuestros distribuidores.

## Recomendaciones y consejos

1. Mantenga todos los componentes y accesorios fuera del alcance de niños.
2. Usar el extremo largo de la llave hexagonal para apretar y aflojar los tornillos.
3. Usar el extremo corto de la llave hexagonal para un apretado final.



## Contenidos del paquete



Componente	Descripción	Cant.	Componente	Descripción	Cant.
A	Poste frontal de la cabecera / posterior de piecera superiores	2	L	Soporte del riel de seguridad	2
B	Poste posterior de la cabecera superior	1	M	Tablillas de soporte del colchón	2
C	Poste frontal de la piecera superior	1	N	Soporte izquierdo de la escalera	1
D	Panel superior de la cabecera / de la piecera	2	O	Soporte derecho de la escalera	1
E	Soporte superior	4	P	Escalón	4
F	Soporte superior medio	2	Q	Poste frontal de la cabecera / posterior de piecera inferiores	2
G	Riel lateral de la escalera superior	1	R	Poste posterior de la cabecera / frontal de piecera inferiores	2
H	Riel lateral del colchón superior	1	S	Riel lateral del colchón inferior	2
I	Riel de seguridad corto	2	T	Panel inferior de la cabecera / de la piecera	2
J	Riel de seguridad superior largo	2	U	Soporte inferior	6
K	Poste del riel de seguridad frontal	1			

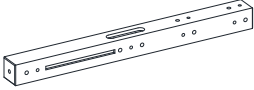
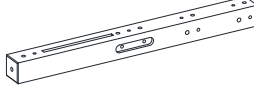
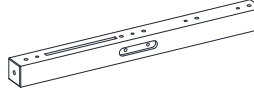

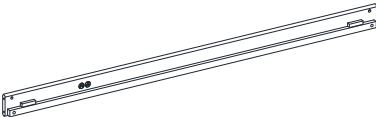
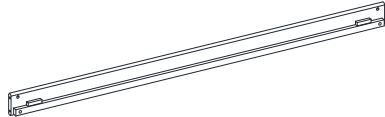
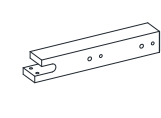
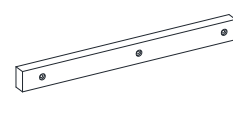
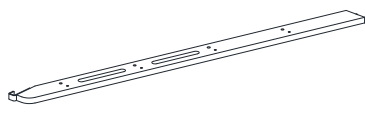
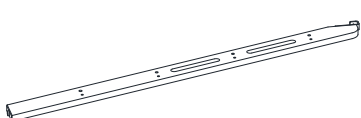

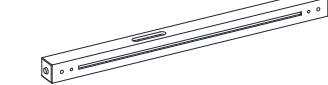
## Información del producto

Dimensiones – **78,75" x 60,75" x 63,75" (200 cm x 154,3 cm x 161,9 cm)**

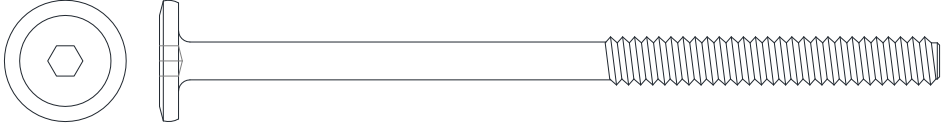
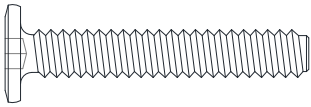
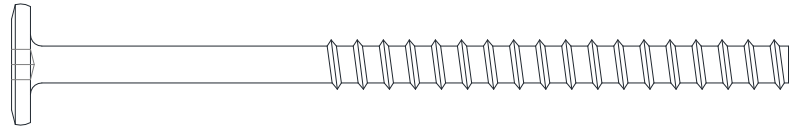
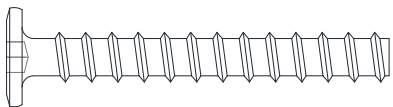
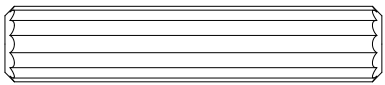
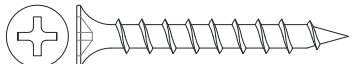
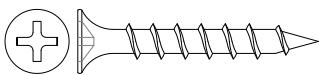

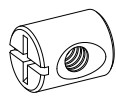
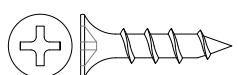

Capacidad de peso:

Tablillas para cama individual: 181,4 kg / 400 libras

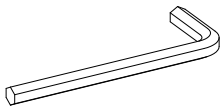
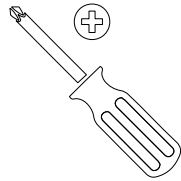
## Componentes

<p>Componente A # de parte: 00SM3FTOT-A Cantidad: 2</p> 	<p>Componente B # de parte: 00SM3FTOT-B Cantidad: 1</p> 	<p>Componente C # de parte: 00SM3FTOT-C Cantidad: 1</p> 
<p>Componente D # de parte: 00SM3FTOT-D Cantidad: 2</p> 	<p>Componente E # de parte: 00SM3FTOT-E Cantidad: 4</p> 	<p>Componente F # de parte: 00SM3FTOT-F Cantidad: 2</p> 
<p>Componente G # de parte: 00SM3FTOT-G Cantidad: 1</p> 	<p>Componente H # de parte: 00SM3FTOT-H Cantidad: 1</p> 	<p>Componente I # de parte: 00SM3FTOT-I Cantidad: 2</p> 
<p>Componente J # de parte: 00SM3FTOT-J Cantidad: 2</p> 	<p>Componente K # de parte: 00SM3FTOT-K Cantidad: 1</p> 	<p>Componente L # de parte: 00SM3FTOT-L Cantidad: 2</p> 
<p>Componente M # de parte: 00SM3FTOT-M Cantidad: 2</p> 	<p>Componente N # de parte: 00SM3FTOT-N Cantidad: 1</p> 	<p>Componente O # de parte: 00SM3FTOT-O Cantidad: 1</p> 
<p>Componente P # de parte: 00SM3FTOT-P Cantidad: 4</p> 	<p>Componente Q # de parte: 00SM3FTOT-Q Cantidad: 2</p> 	<p>Componente R # de parte: 00SM3FTOT-R Cantidad: 2</p> 
<p>Componente S # de parte: 00SM3FTOT-S Cantidad: 2</p> 	<p>Componente T # de parte: 00SM3FTOT-T Cantidad: 2</p> 	<p>Componente U # de parte: 00SM3FTOT-U Cantidad: 6</p> 

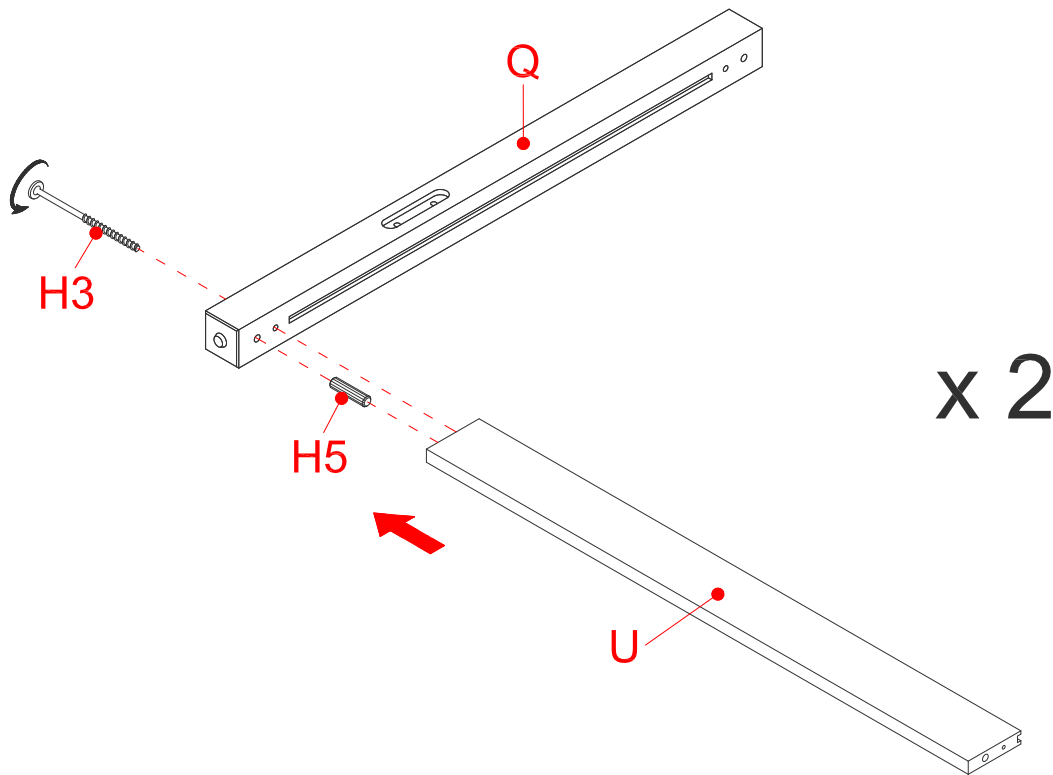
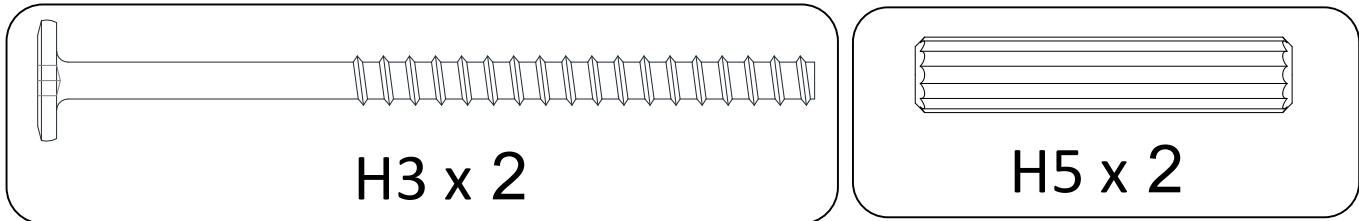
## Material de ferretería

<p>Tornillo de 1/4" x 100 mm (H1) Cantidad: 16+1 extra</p> 		
<p>Tornillo de 1/4" x 38 mm (H2) Cantidad: 2+1 extra</p> 	<p>Tornillo de M6,5 x 100 mm (H3) Cantidad: 32+1 extra</p> 	
<p>Tornillo de M6,5 x 48 mm (H4) Cantidad: 8+1 extra</p> 	<p>Taquete de madera de M10x50mm (H5) Cantidad: 44+2 extra</p> 	<p>Perno de M4 x 35 mm (H6) Cantidad: 28+1 extra</p> 
<p>Perno de M4 x 30 mm (H7) Cantidad: 6+1 extra</p> 	<p>Conector de cama (H8) Cantidad: 4</p> 	<p>Tuerca barril (H9) Cantidad: 16+1 extra</p> 
<p>Perno de M3,5 mm x 19 mm (H10) Cantidad: 2+1 extra</p> 	<p>Resbalón de piso (H11) Cantidad: 4+1 extra</p> 	

## Tools

<p>Llave hexagonal (H12) (incluida) Cantidad: 2</p> 	<p>Desarmador estrella (no incluido)</p> 
---	--

## Paso 1



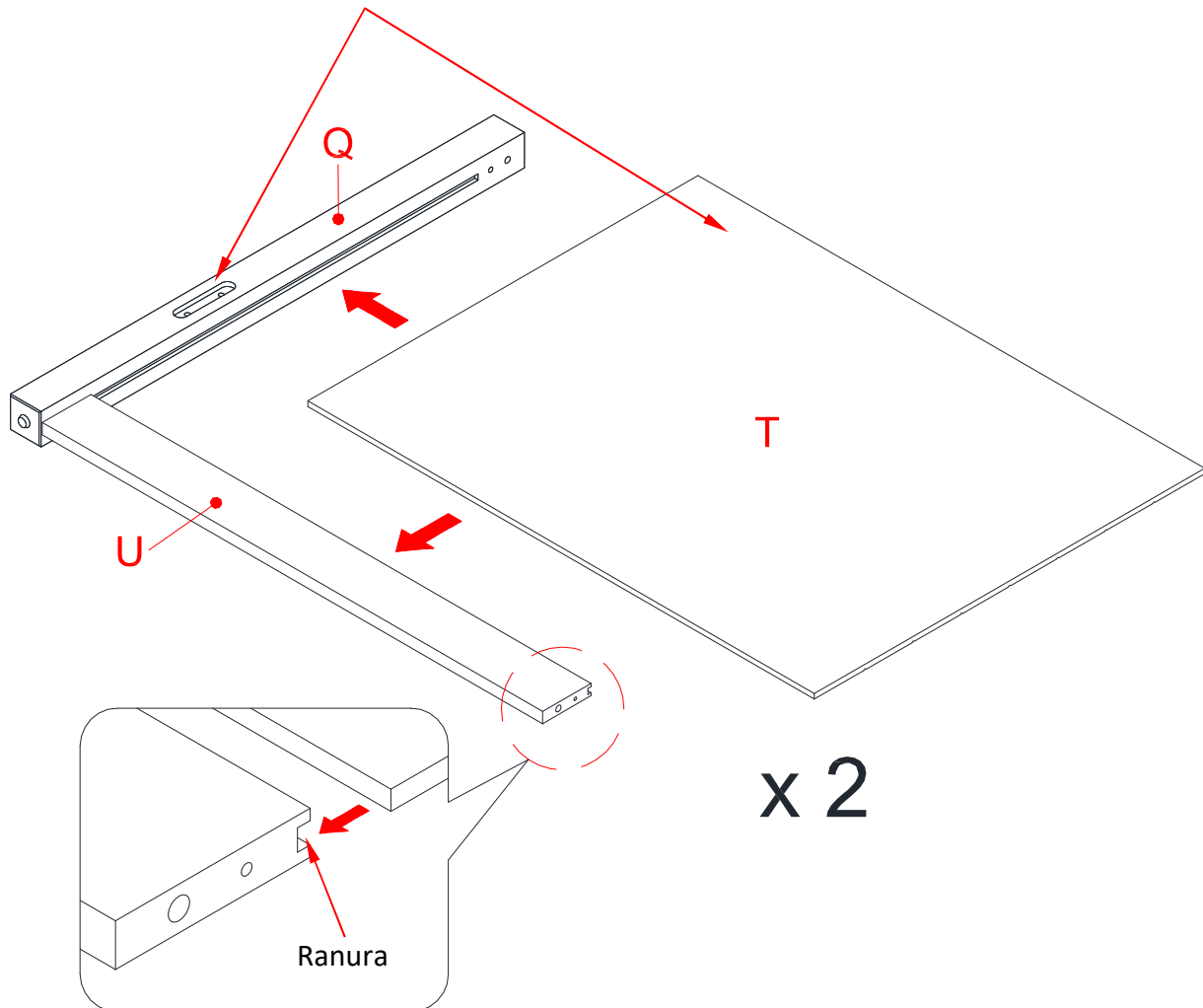
**NOTA:** Por favor siga todas las instrucciones cuidadosamente para asegurar una cama segura y robusta. No apriete completamente los tornillos y pernos hasta que todos los rieles estén adjuntos.

- Desempacar la unidad y confirmar que se tienen todos los accesorios y partes requeridas.
- Localizar un soporte inferior (U) en una superficie nivelada y protegida con la ranura hacia adentro.
- Insertar un taquete de madera de 50 mm (H5) en los agujeros grandes extremos del soporte inferior (U) y adjuntar al poste frontal de la cabecera inferior (Q) usando un tornillo M6.5 x 100 mm (H3). Apretar con la llave hexagonal provista.
- Repetir el mismo procedimiento para combinar el poste posterior de la piecera inferior (Q) con otro soporte inferior (U).



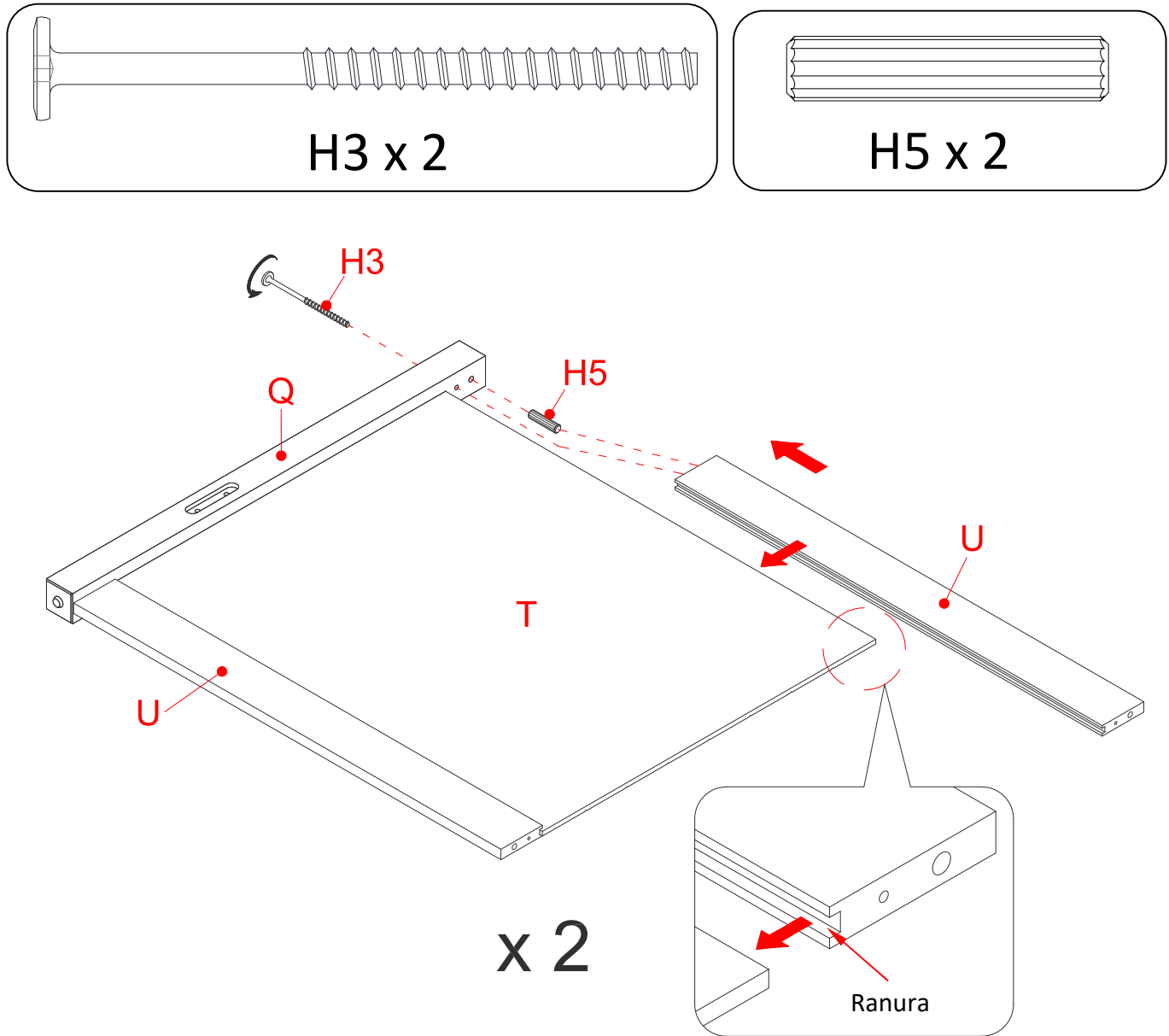
## Paso 2

El recorte y la superficie plana del panel inferior de la cabecera/de la piecera (T) apuntan en la misma dirección



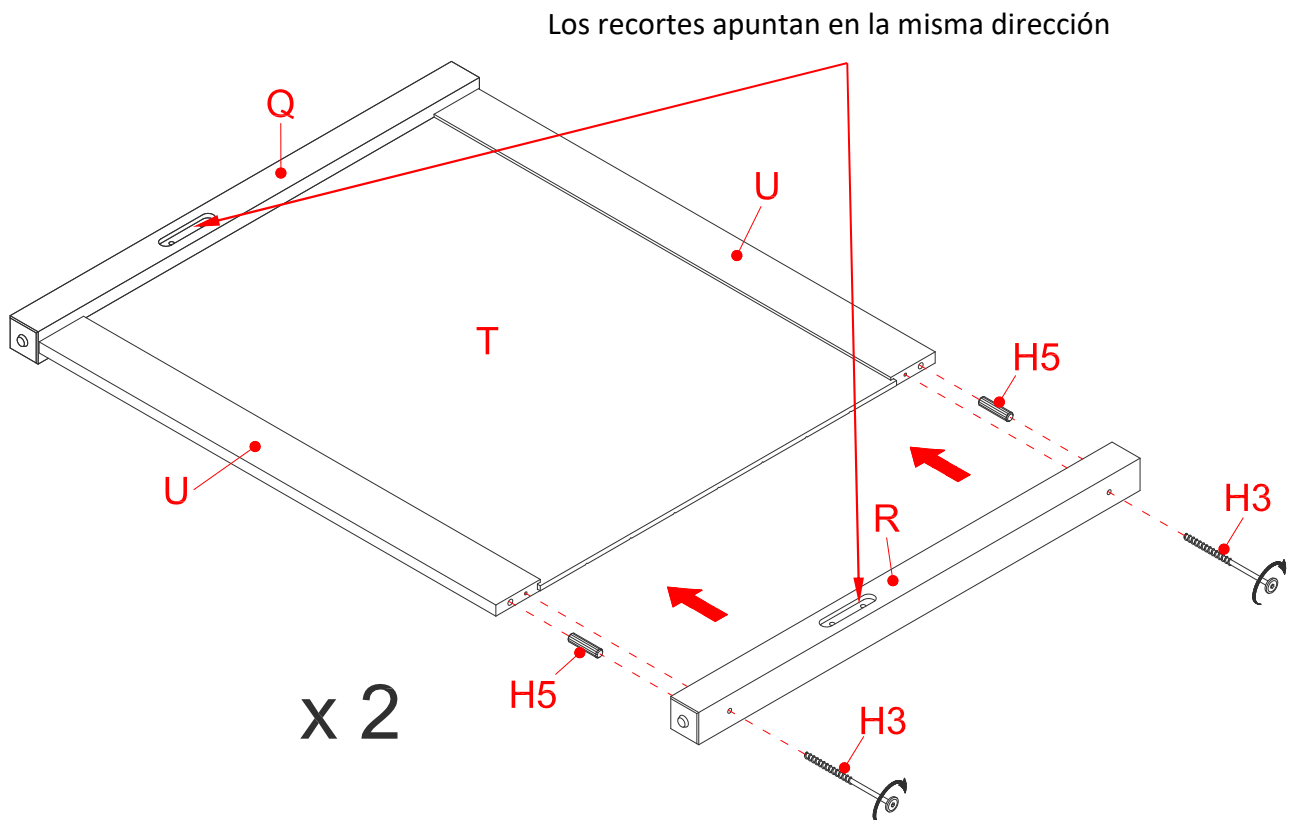
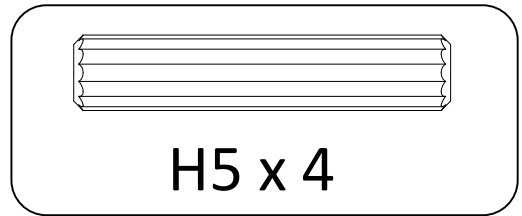
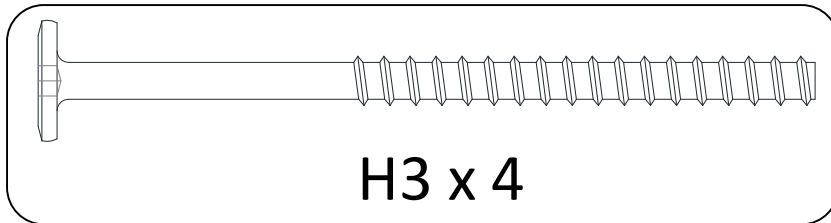
- Deslizar el panel inferior de la cabecera (T) en las ranuras en ambos soportes inferiores (U) y el poste frontal de la cabecera inferior (Q).
- Repetir el mismo procedimiento para deslizar el otro panel inferior de la piecera (T) al poste posterior de la piecera inferior (Q) y al otro soporte inferior (U).

## Paso 3



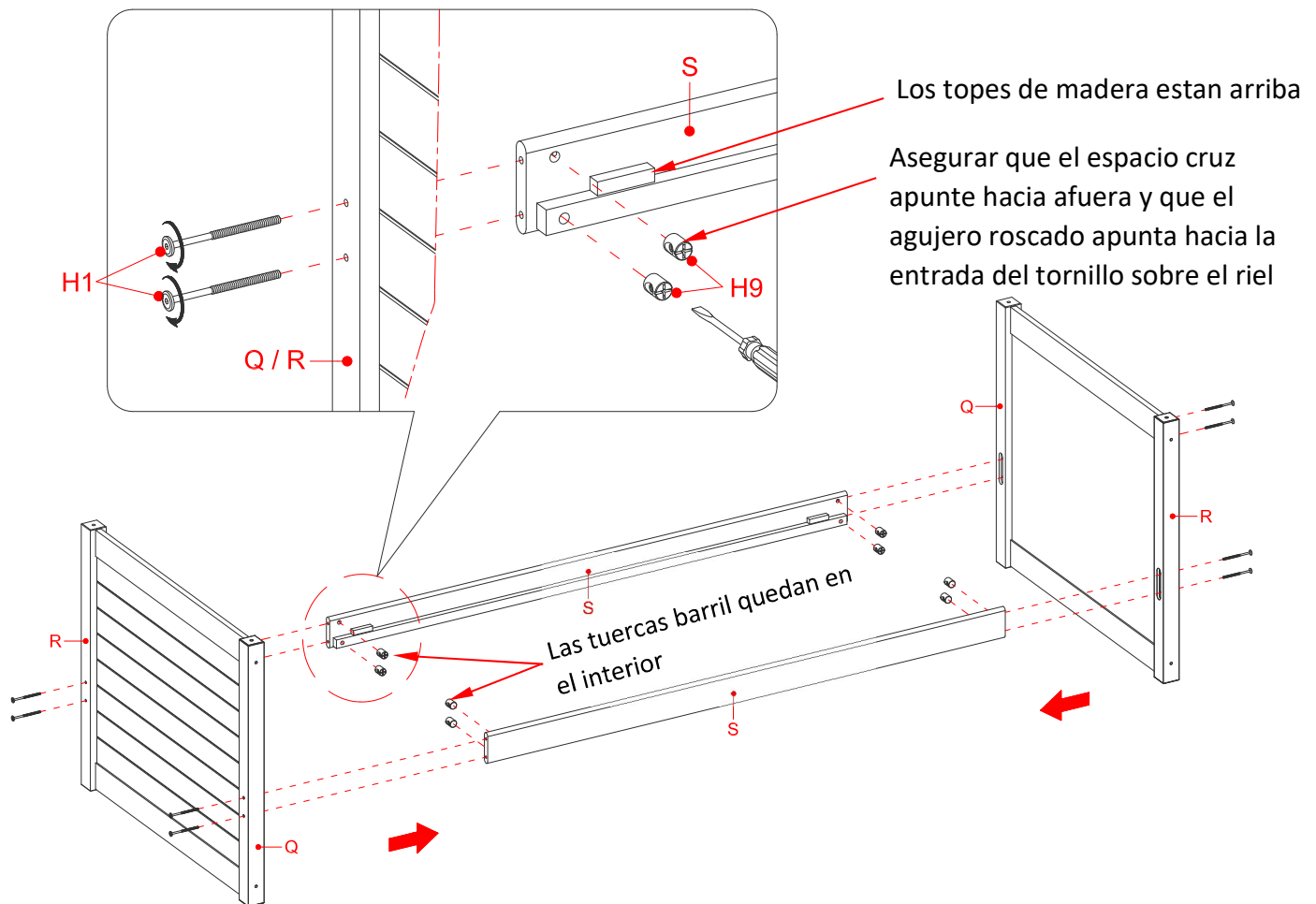
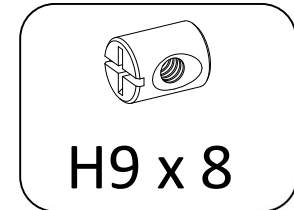
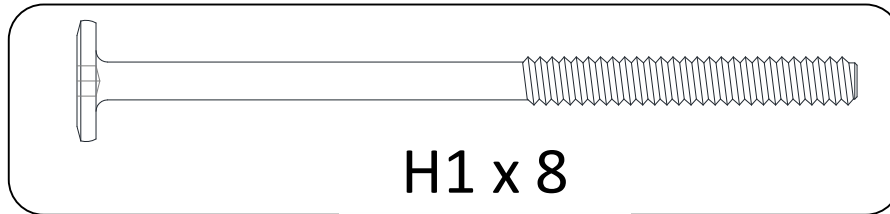
- Meter la ranura de otro soporte inferior (U) en el panel inferior de la cabecera (T) y adjuntar al poste frontal de la cabecera inferior (Q) usando un taquete de madera de 50 mm (H5) y un tornillo M6.5 x 100 mm (H3). Apretar con la llave hexagonal provista.
- Repetir el mismo procedimiento para adjuntar otro soporte inferior (U) al otro panel inferior de la cabecera (T) y adjuntar al poste posterior de la piecera inferior (Q).

## Paso 4



- Insertar un taquete de madera de 50 mm (H5) en los agujeros grandes extremos de cada soporte inferior (U) y adjuntar al poste posterior de la cabecera inferior (R) con 2 tornillos M6.5 x 100 mm (H3). Apretar con la llave hexagonal provista.
- Repetir el mismo procedimiento para formar la piecera inferior.

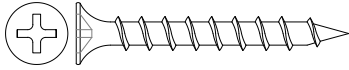
## Paso 5



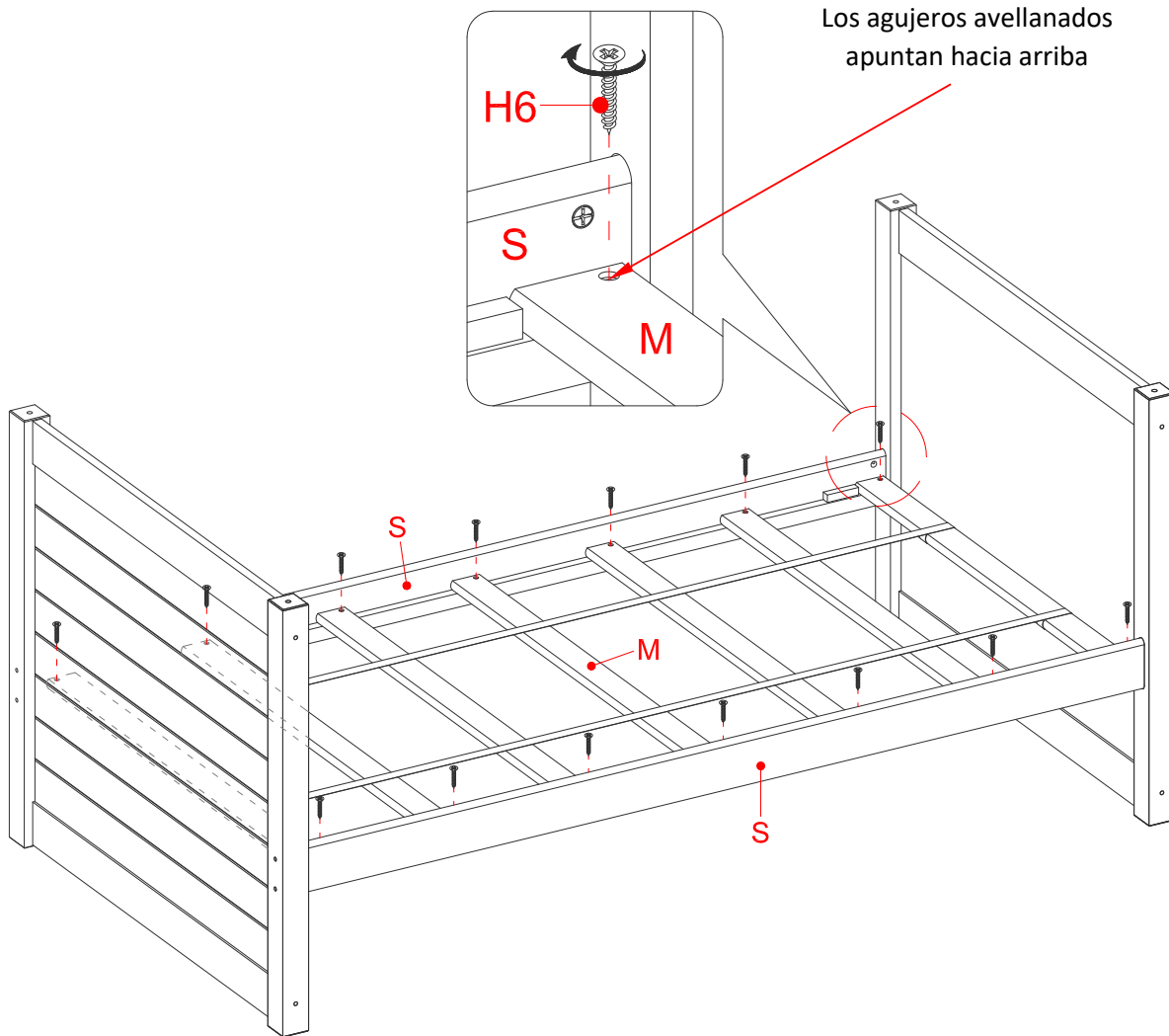
- Insertar 2 tuercas barril (H9) en cada extremo de los rieles laterales del colchón inferior (S). Hay que asegurar de que el espacio de cruz de la tuerca barril apunte hacia afuera y que el agujero roscado apunte hacia la entrada del tornillo a través del riel.
- Atornillar 2 rieles laterales del colchón inferior (S) entre la cabecera y la piecera ensamblados usando tornillos de 1/4" x 100 mm (H1) a través de los agujeros perforados en los postes y atornillar en las tuercas barril (H9) en los rieles laterales del colchón inferior (S). Hay que asegurar de que los topos de madera estén adjuntados al riel laterals del colchón para tablillas estén arriba y apunten hacia adentro.

¿Necesita asistencia? Visítenos en: [samsclub.com/membersmarkhelp](http://samsclub.com/membersmarkhelp)

## Paso 6

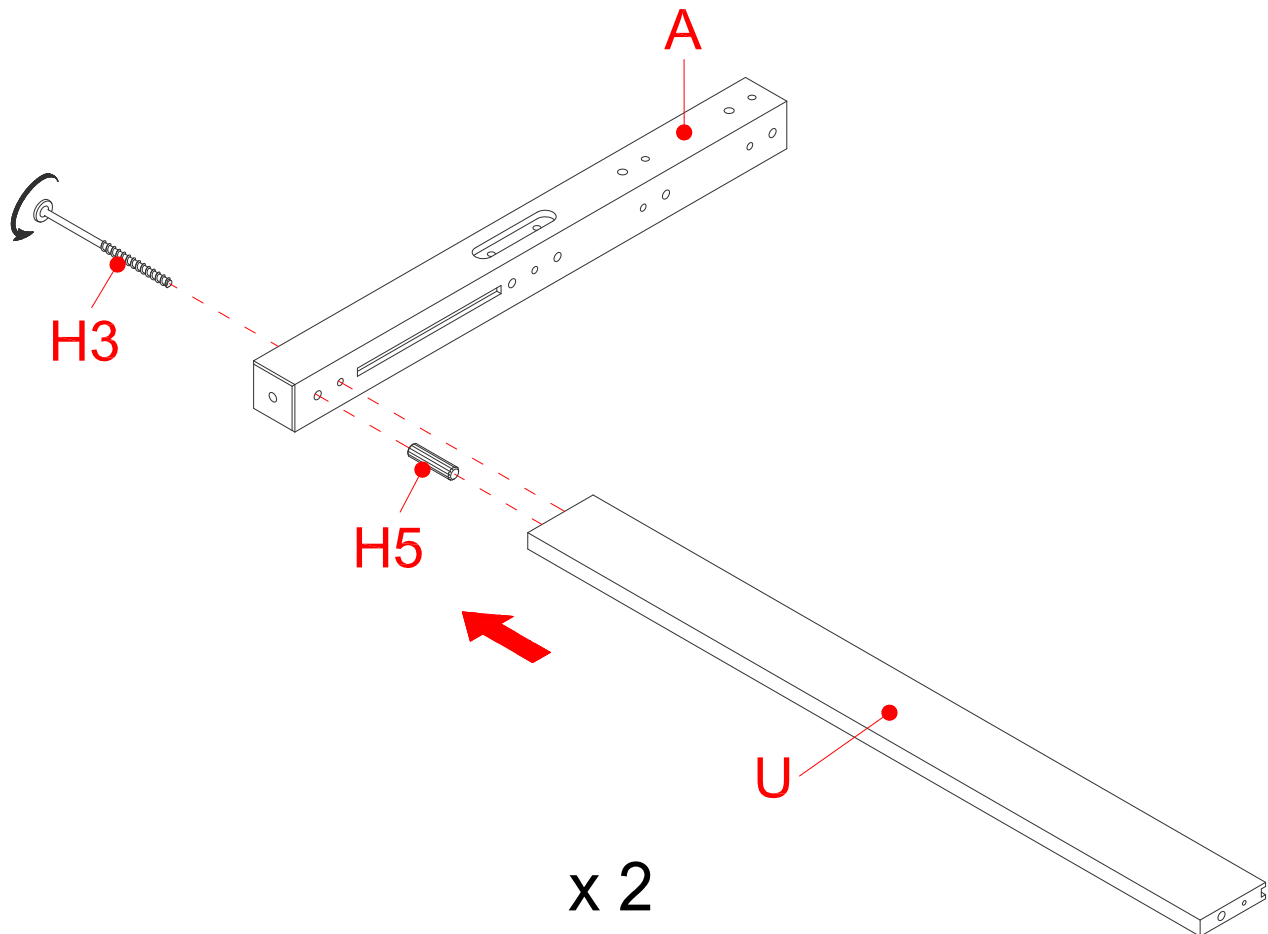
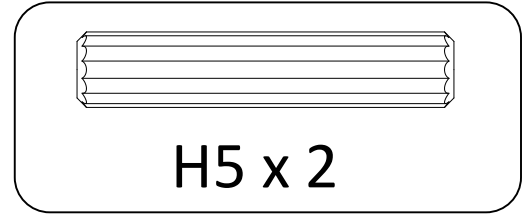
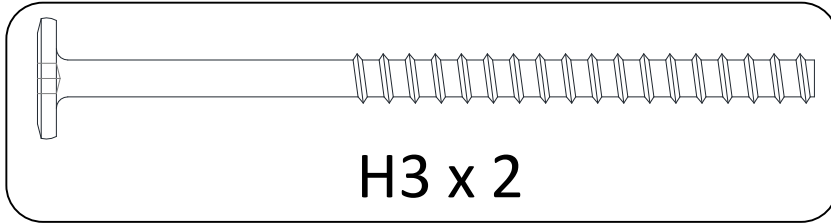


H6 x 14



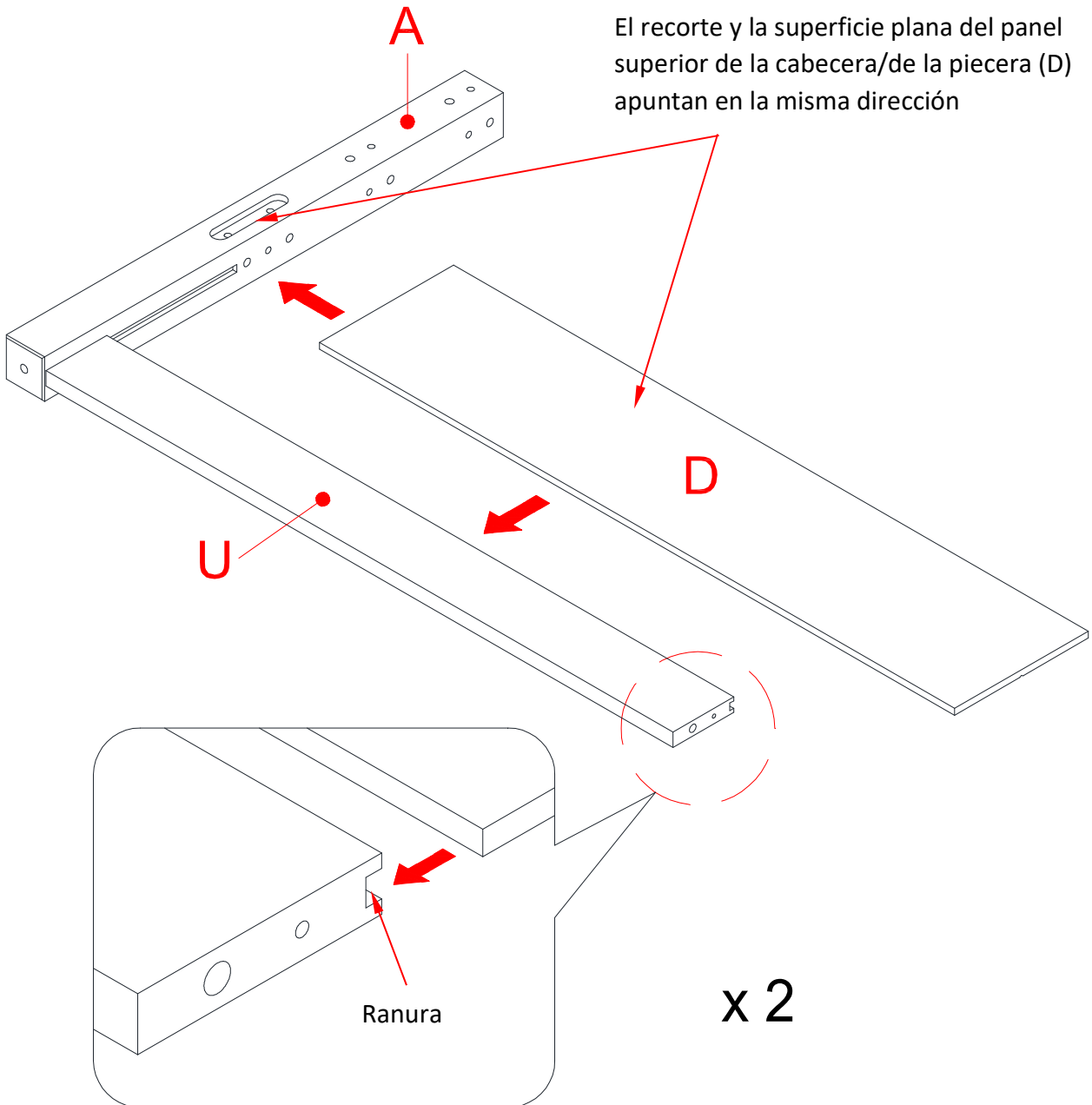
- a) Descansar las tablas de soporte del colchón (M) en las tiras en los rieles laterales del colchón inferior (S). Hay que asegurar que las tablas extremas estén localizadas cerca de los postes inferiores. Insertar y atornillar los pernos de 35 mm (H6) en los agujeros avellanados en cada tablilla. Apretar usando el desarmador estrella.

## Paso 7



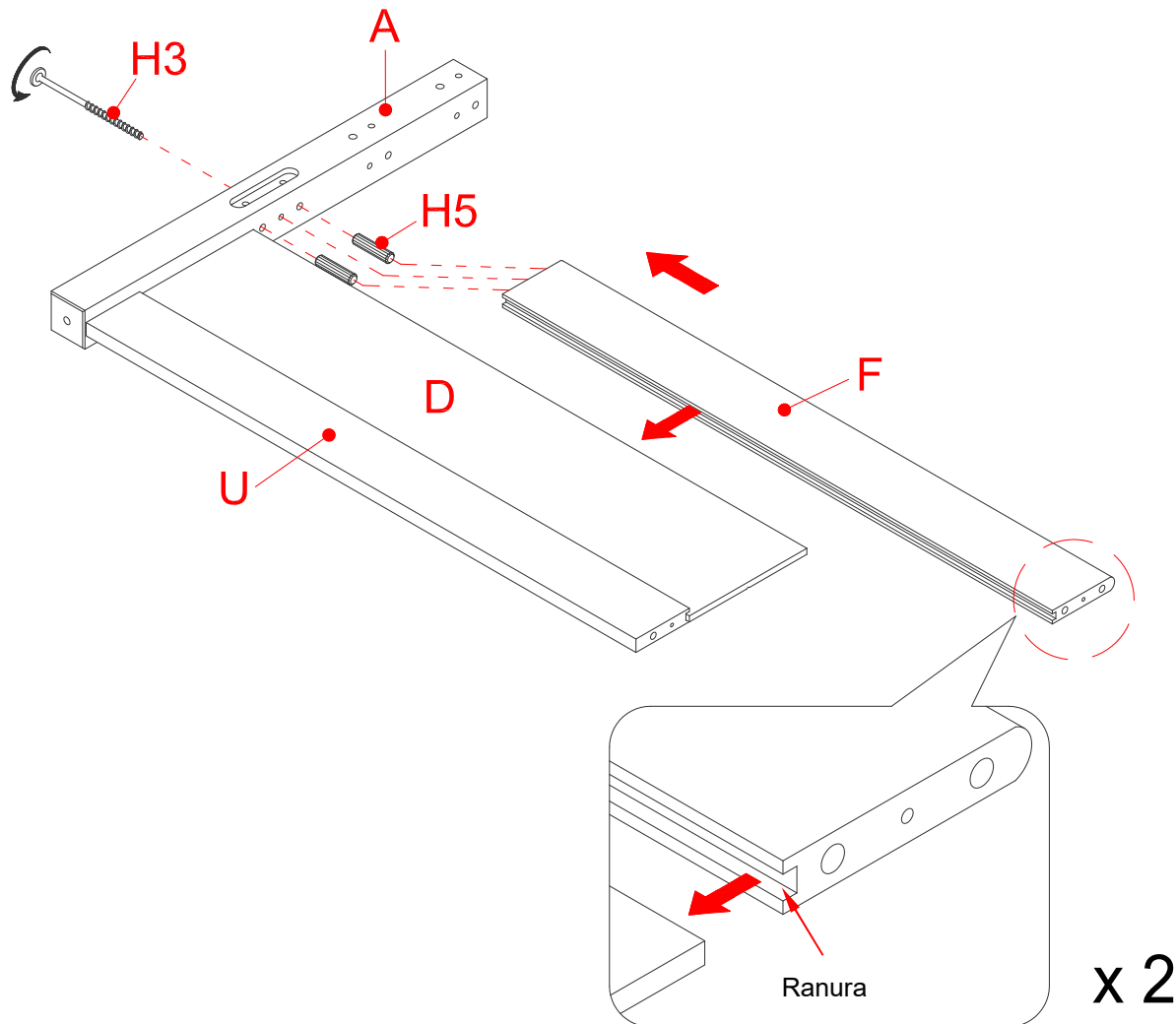
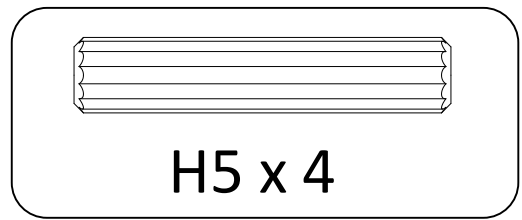
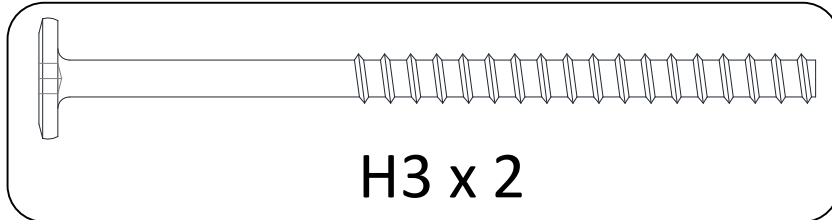
- Insertar un taquete de madera de 50 mm (H5) en los agujeros grandes extremos de un soporte inferior (U) y adjuntar al poste frontal de la cabecera superior (A) usando un tornillo de 100 mm (H3). Apretar con la llave hexagonal provista.
- Repetir el mismo procedimiento para combinar el poste posterior de la piecera superior (A) y otro soporte inferior (U).

## Paso 8



- Deslizar el panel superior de la cabecera (D) en las ranuras en ambos soportes inferiores (U) y en el poste frontal de la cabecera superior (A).
- Repetir el mismo procedimiento para deslizar el panel superior de la piecera (D) al poste posterior de la piecera superior (A) y a otro soporte inferior (U).

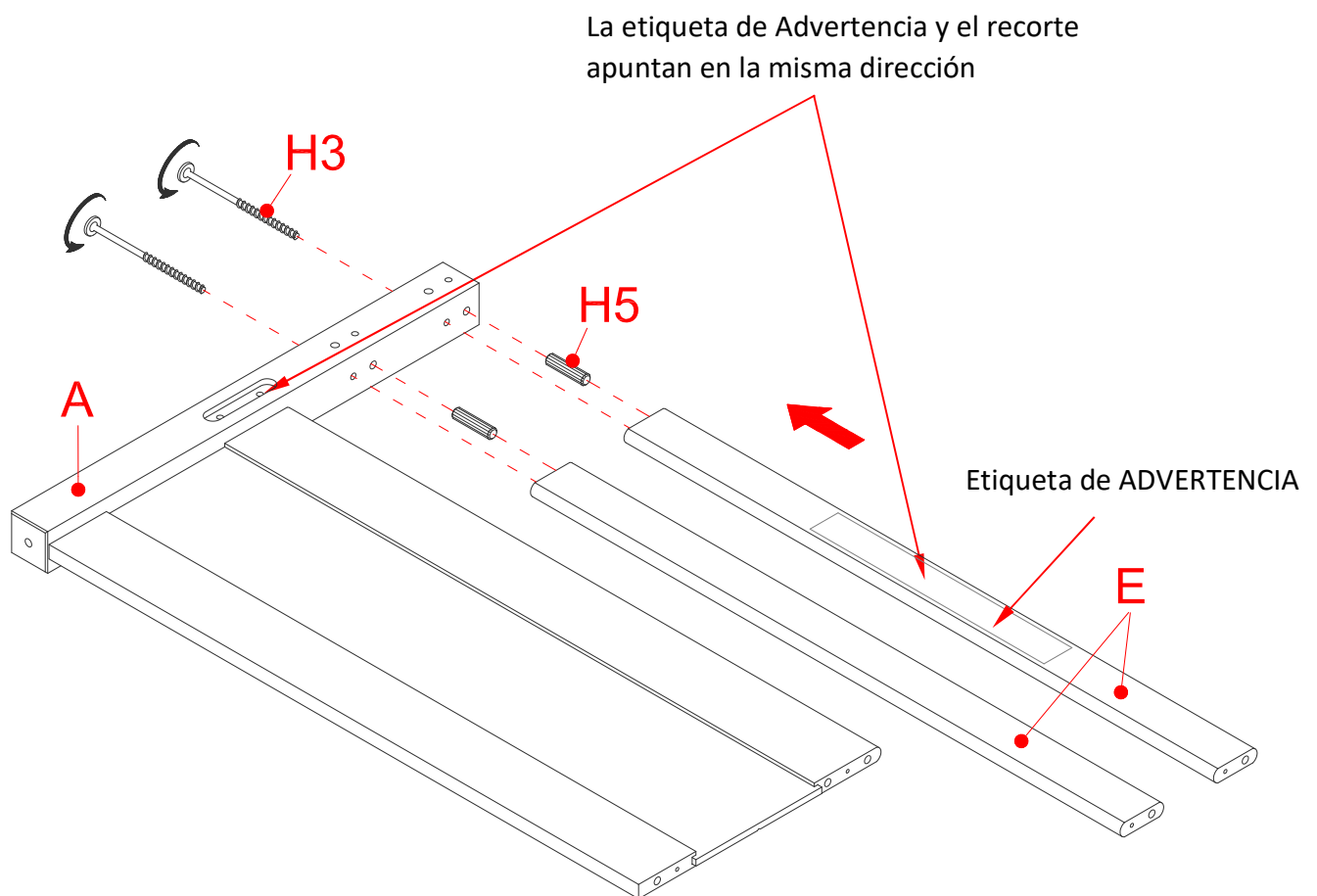
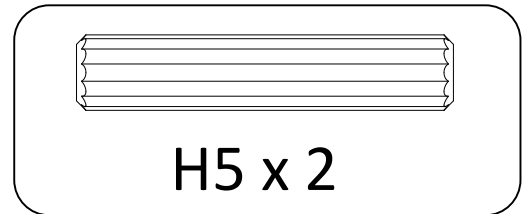
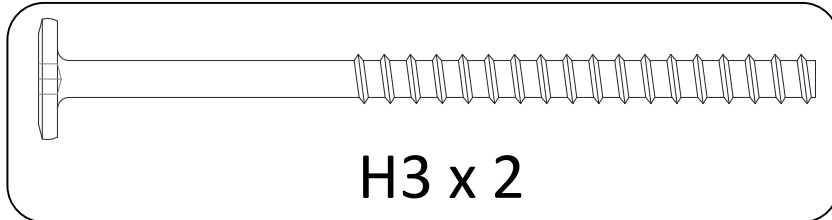
## Paso 9



- Meter la ranura de un soporte superior medio (F) en el panel superior de la cabecera (D) y adjuntar al poste frontal de la cabecera superior (A) usando 2 taquetes de madera de 50 mm (H5) y un tornillo de 100 mm (H3). Apretar con la llave hexagonal provista.
- Repetir el mismo procedimiento para adjuntar el otro soporte superior medio (F) al otro panel superior de la cabecera superior (D) y adjuntar al poste posterior de la piecera superior (A).

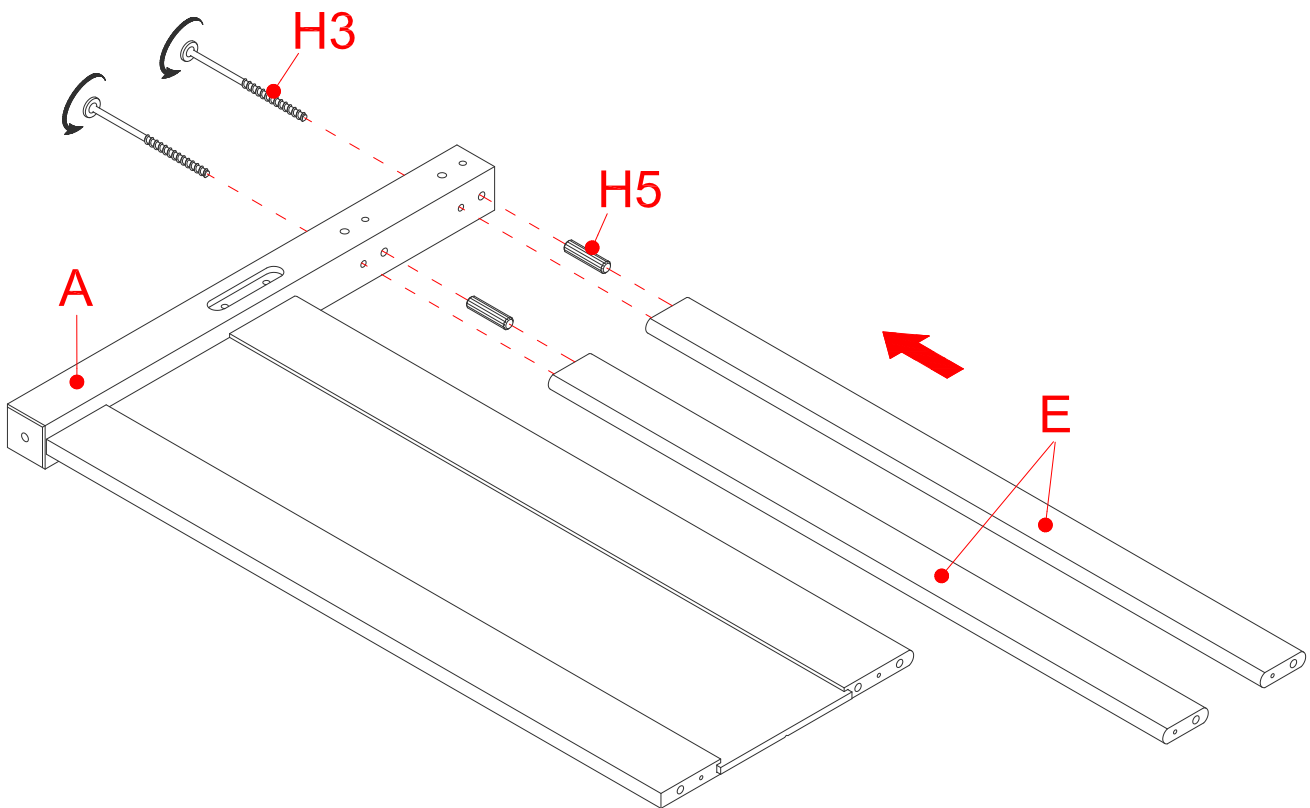
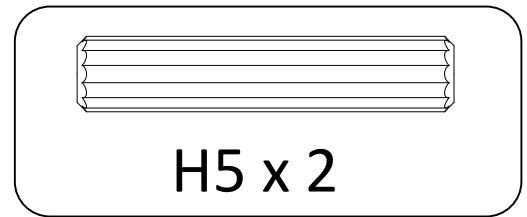
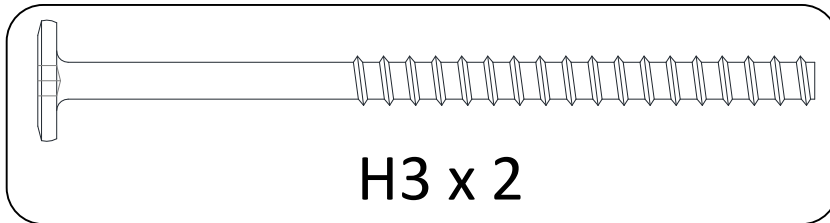


## Paso 10



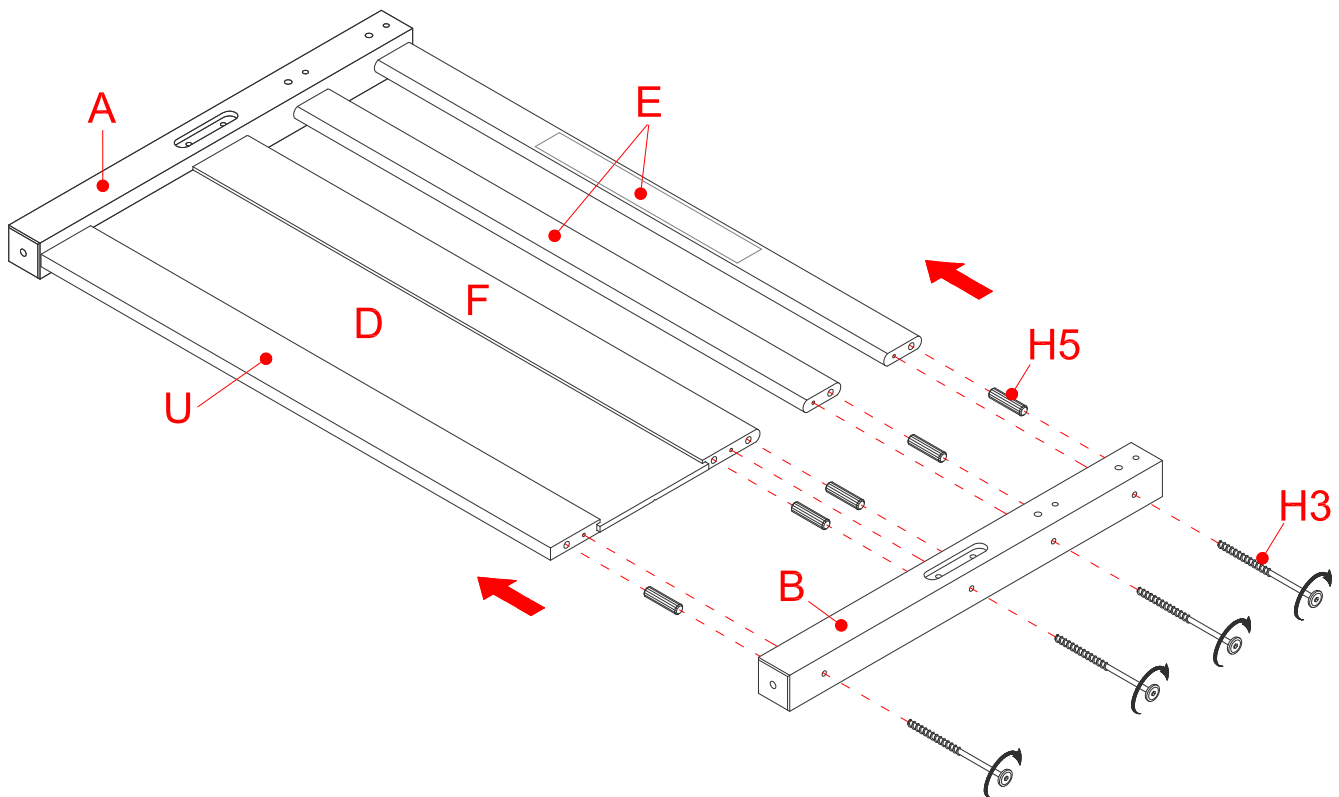
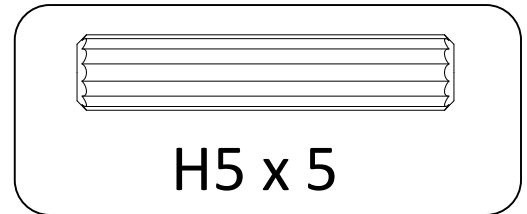
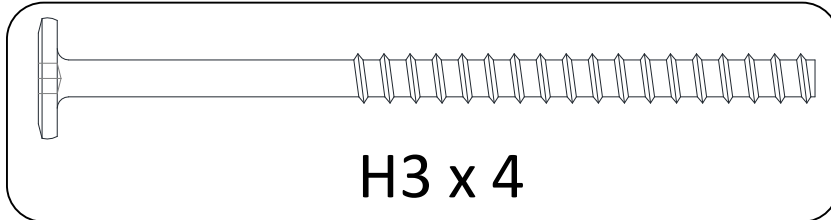
- a) Insertar un taquete de madera de 50 mm (H5) en los agujeros grandes extremos de cada soporte superior (E) y adjuntar al poste frontal de la cabecera superior (A) usando un tornillo de 100 mm (H3) respectivamente. Apretar con la llave hexagonal provista.

## Paso 11



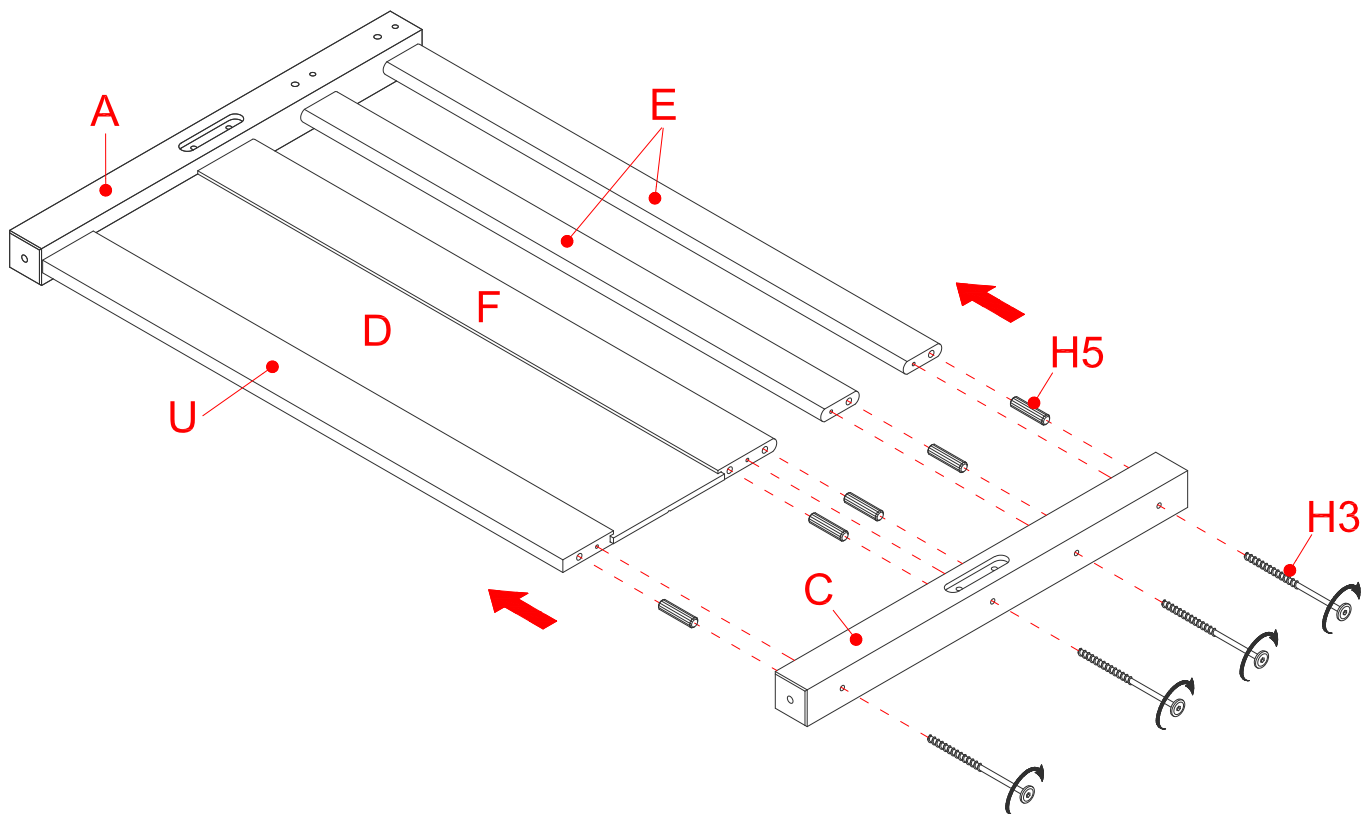
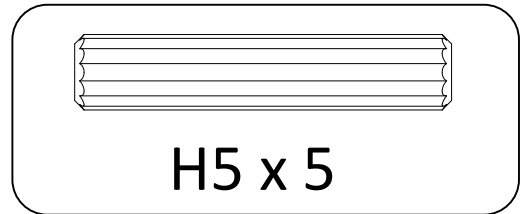
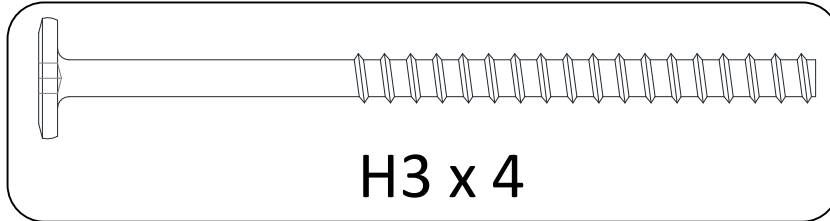
- a) Repetir el paso previo para adjuntar otros 2 soportes superiores (E) al poste posterior de la piecera superior (A) usando 2 tornillos de 100 mm (H3) y 2 taquetes de madera de 50 mm (H5). Apretar con la llave hexagonal provista.

## Paso 12



- a) Adjuntar el poste posterior de la cabecera superior (B) al ensamble previo con la etiqueta de aviso usando 4 tornillos de 100 mm (H3) y 5 taquetes de madera de 50 mm (H5). Apretar con la llave hexagonal provista.

## Paso 13

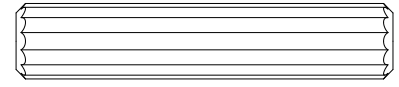


- a) Repetir el paso previo para adjuntar el poste frontal de la piecera superior (C) al otro ensamblaje previo con 4 tornillos de 100 mm (H3) y 5 taquetes de madera de 50 mm (H5). Apretar con la llave hexagonal provista.

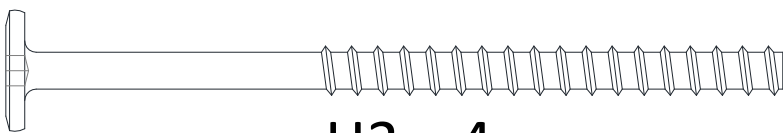
## Paso 14



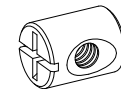
H1 x 8



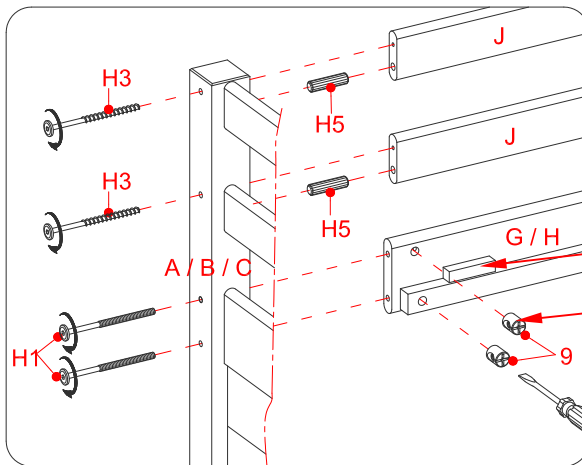
H5 x 4



H3 x 4

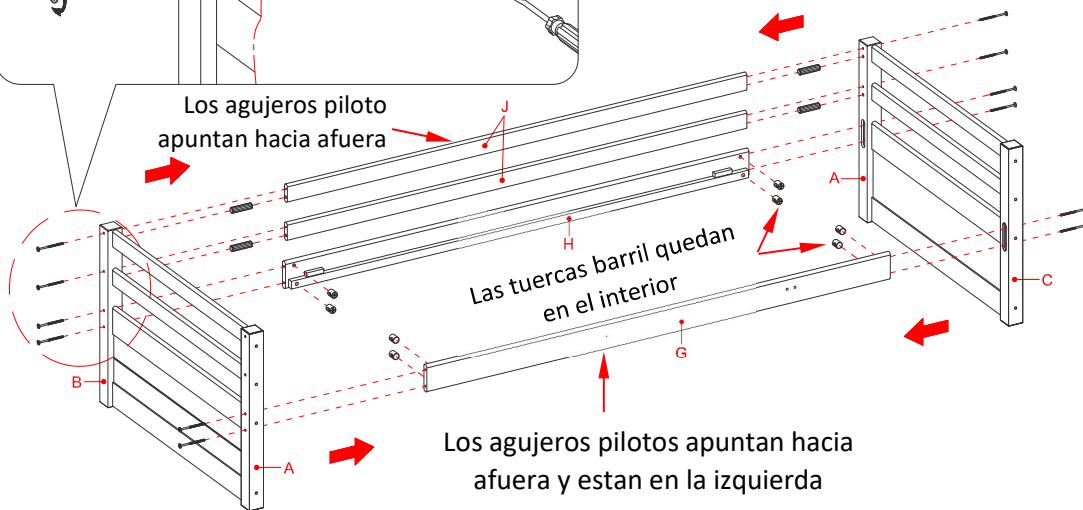


H9 x 8



Los topes de madera están arriba

Asegurar que el espacio cruz apunte hacia afuera y que el agujero roscado apunte hacia la entrada del tornillo sobre el riel.



Los agujeros piloto apuntan hacia afuera

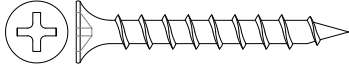
Las tuercas barril quedan en el interior

Los agujeros pilotos apuntan hacia afuera y están en la izquierda

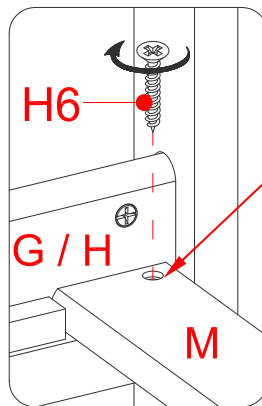
- Insertar los taquetes de madera de 50 mm (H5) en los agujeros perforados grandes del riel de seguridad largo (J) en ambos lados. Adjuntar 2 rieles de seguridad largos (J) entre los postes superiores (A y B) con los tornillos de 100 mm (H3).
- Adjuntar el riel lateral del colchón superior (H) entre los postes superiores (A y B) con 4 tornillos de 100 mm (H1) y 4 tuercas barril (H9). Hay que asegurar que los topes de madera para las tablillas adjuntados en el riel lateral estén arriba y miren hacia adentro.
- Orientar y adjuntar el riel lateral de la escalera superior (G) entre los postes superiores (A y C) usando 4 tornillos de 100 mm (H1) y 4 tuercas barril (H9). Hay que asegurar que los topes de madera para las tablillas adjuntados en el riel lateral estén arriba y miren hacia adentro.

¿Necesita asistencia? Visítenos en: [samsclub.com/membersmarkhelp](https://samsclub.com/membersmarkhelp)

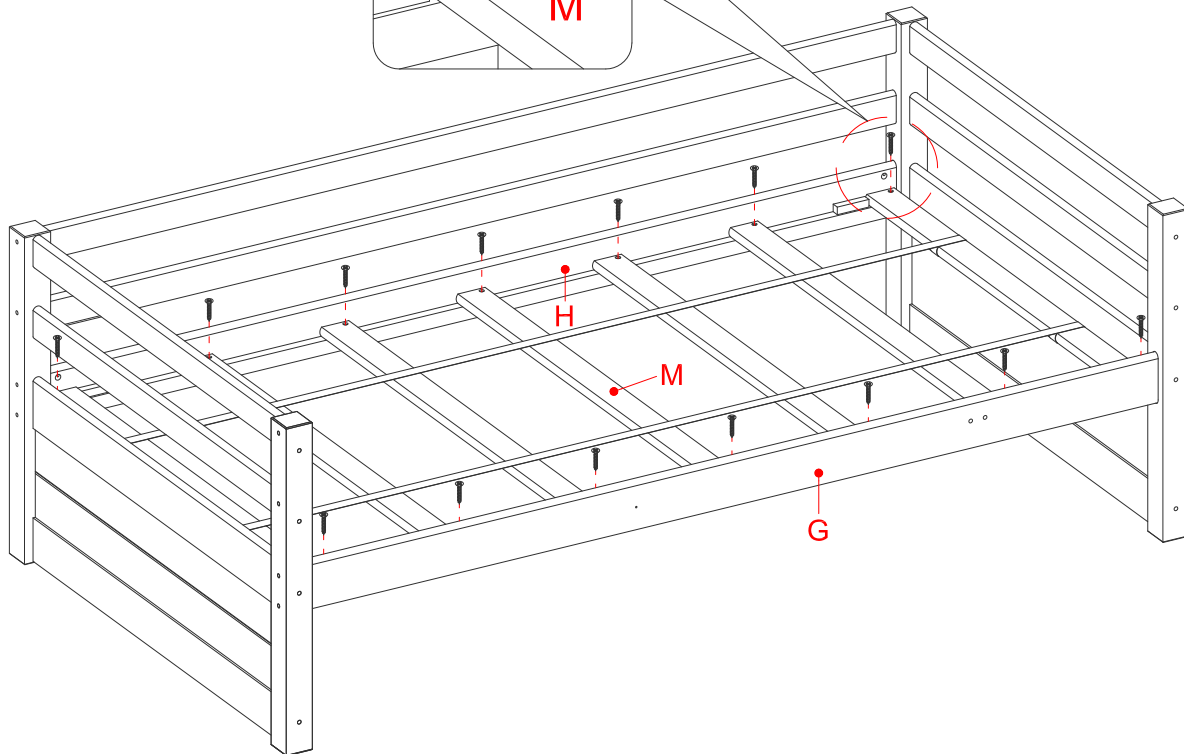
## Paso 15



H6 x 14

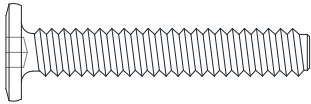


Los agujeros avellanados apuntan hacia arriba

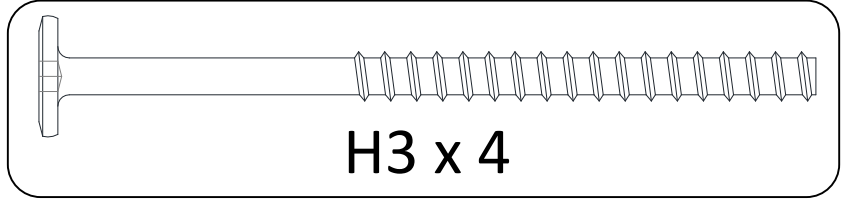


- a) Descansar las otras tablillas de soporte del colchón (M) en las tiras en el riel lateral de la escalera superior (G) y en el riel lateral del colchón superior (H). Insertar y atornillar los pernos de 35 mm (H6) en los agujeros avellanados en cada tablilla. Apretar usando un desarmador estrella.

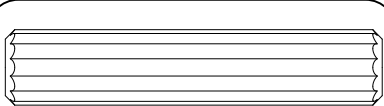
## Paso 16



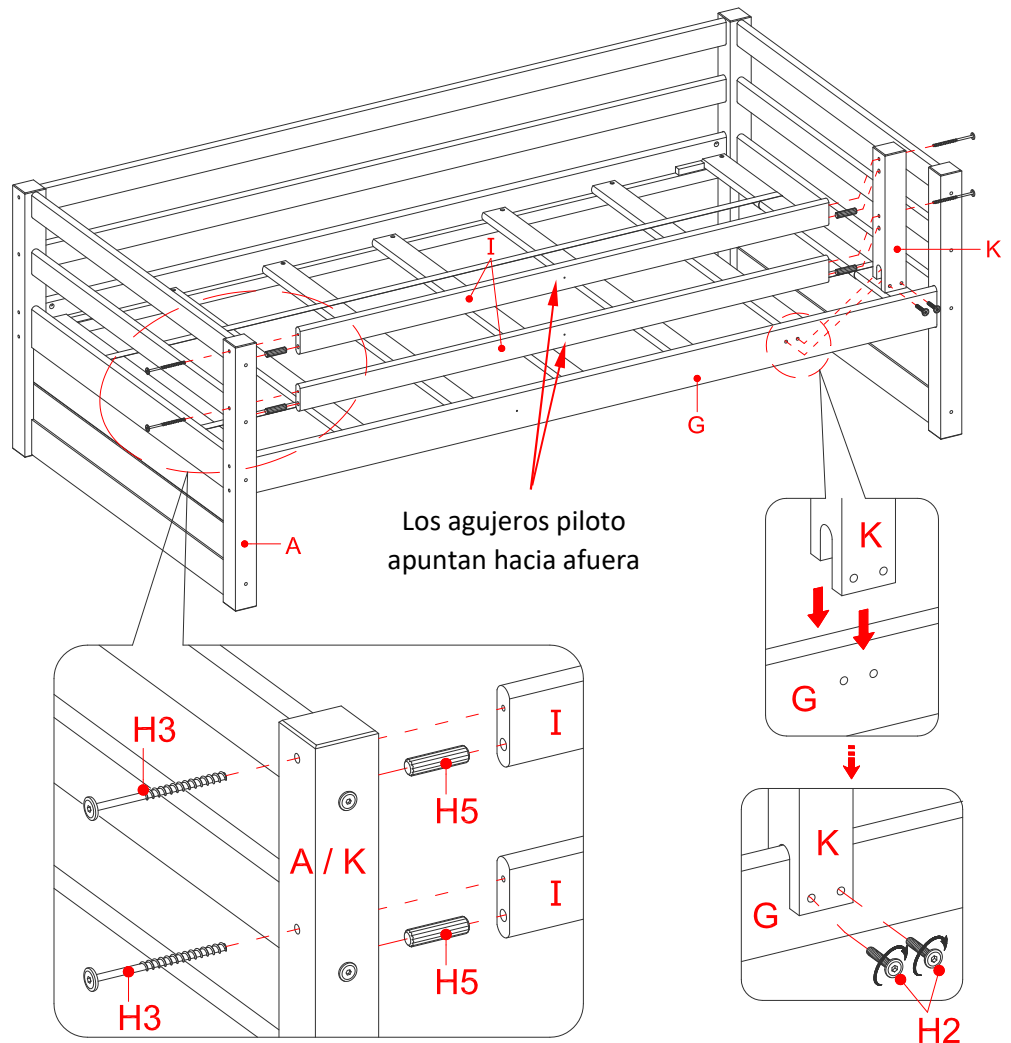
H2 x 2



H3 x 4

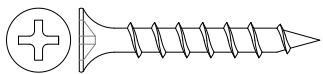


H5 x 4

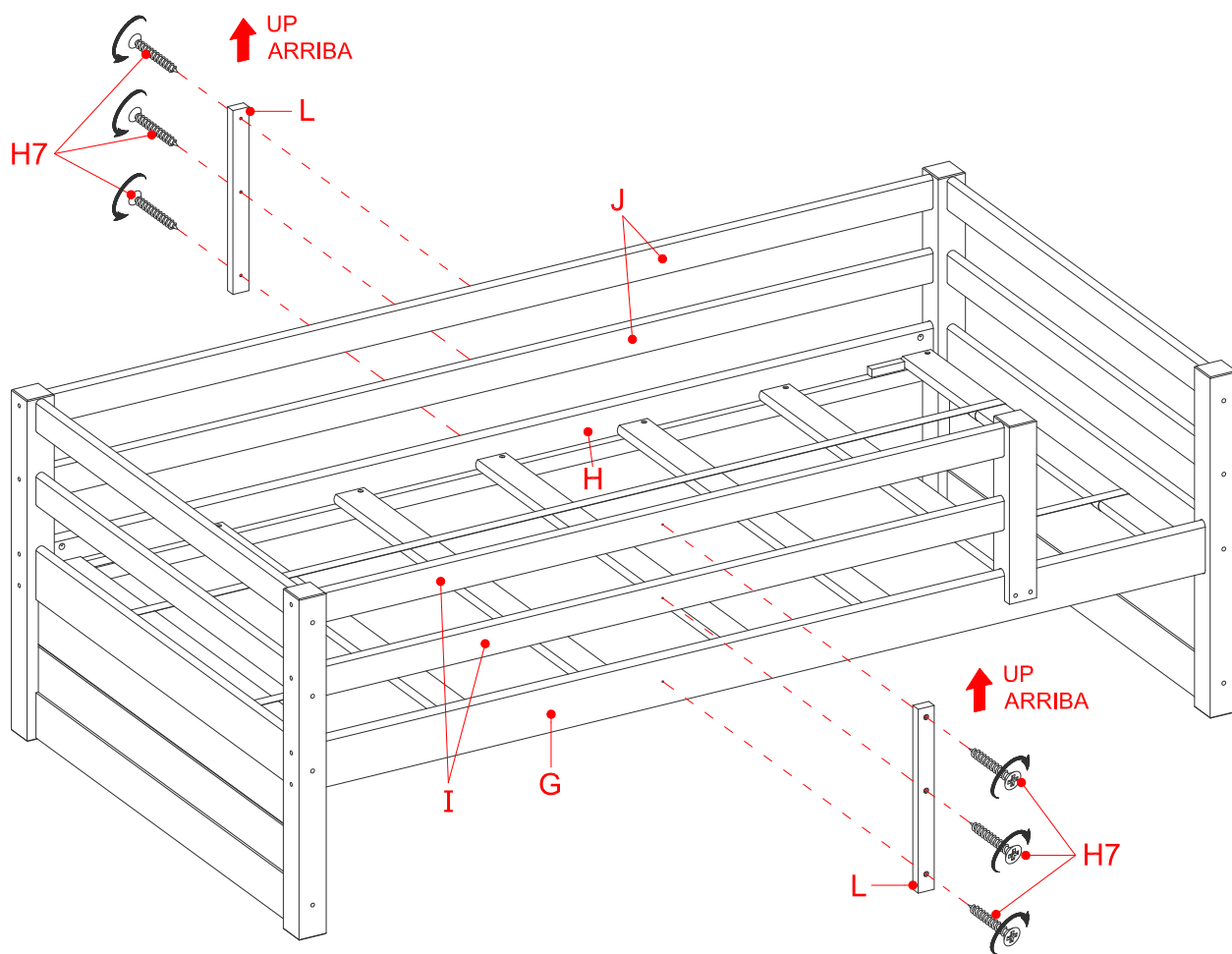


- Insertar taquete de madera de 50 mm (H5) en los agujeros grandes extremos de los rieles de seguridad chicos (I) como guía. Adjuntar 2 rieles de seguridad cortos (I) entre el poste frontal de la cabecera superior (A) y el poste frontal del riel de seguridad (K) con 4 tornillos de 100 mm (H3).
- Sujetar el poste frontal del riel de seguridad (K) al riel lateral de la escalera superior (G) con 2 tornillos de 38 mm (H2), usando la llave hexagonal provista.

## Paso 17



H7 x 6

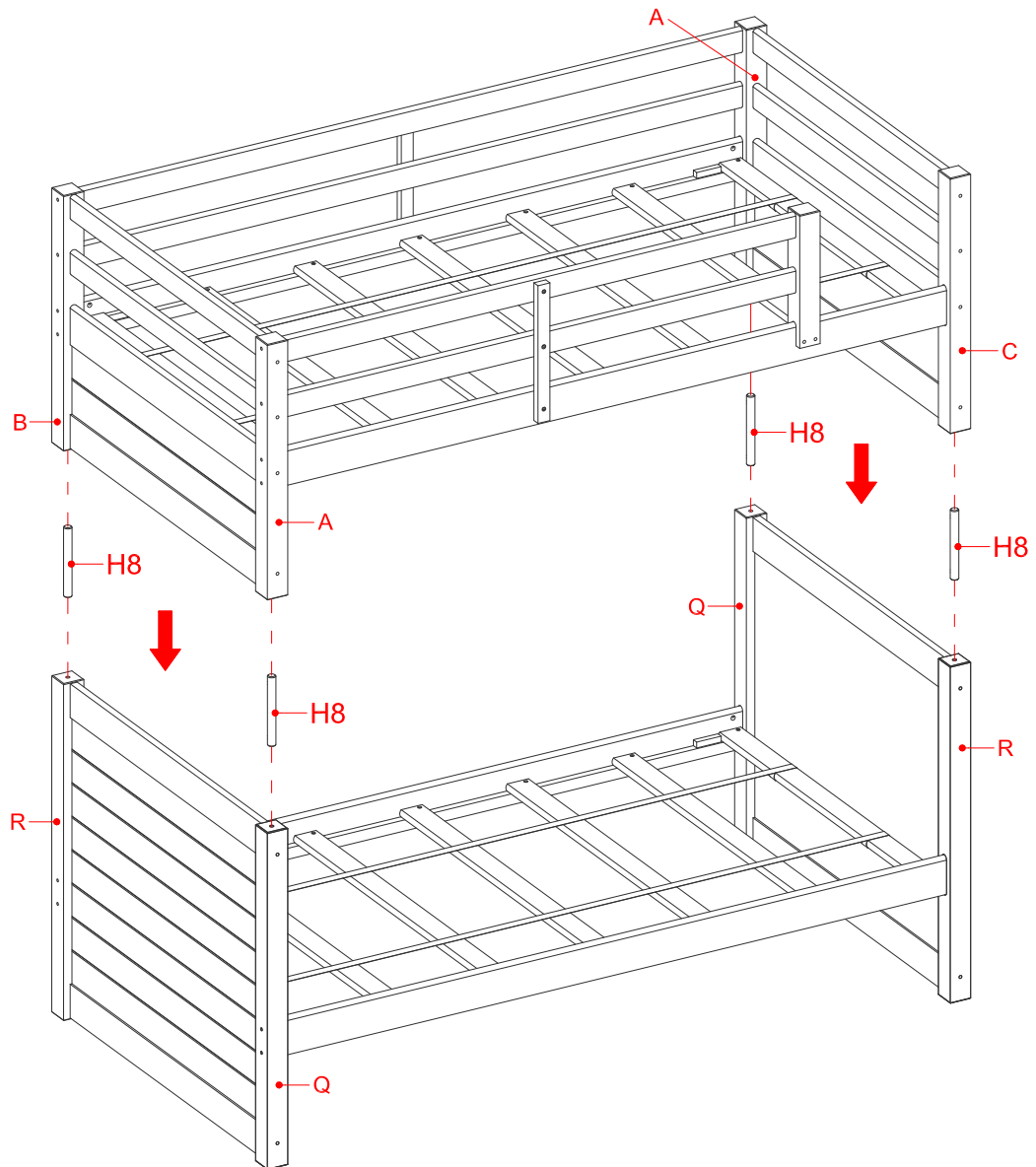
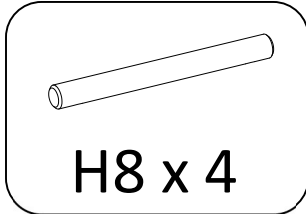


- Con los agujeros pilotos como guía, alinear y adjuntar un soporte del riel de seguridad (L) al centro de los rieles de seguridad largos (J) y al riel lateral del colchón superior (H) usando 3 pernos de 30 mm (H7) a través de los agujeros avellanados y atornillar en su lugar.
- Repetir el mismo procedimiento para adjuntar el otro soporte del riel de seguridad (L) a los rieles de seguridad cortos (I) y al riel lateral de la escalera superior (G).

¿Necesita asistencia? Visítenos en: [samsclub.com/membersmarkhelp](https://samsclub.com/membersmarkhelp)



## Paso 18

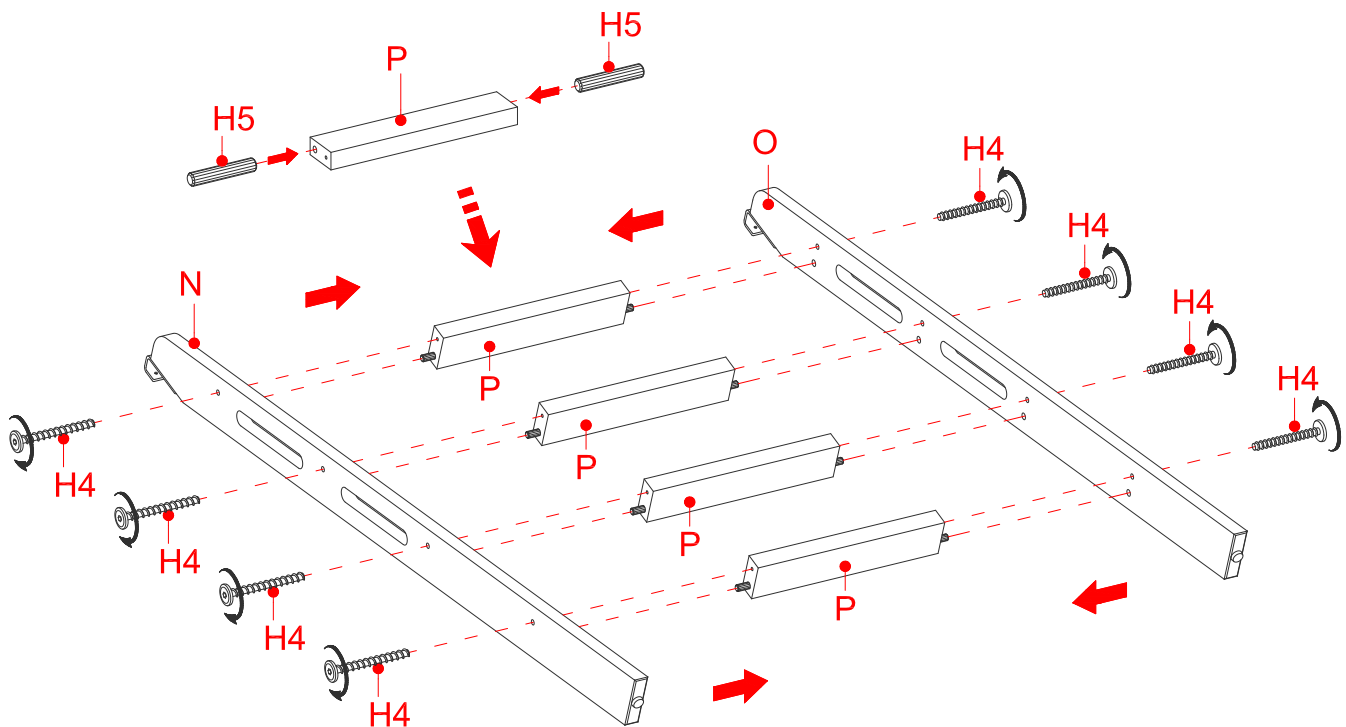
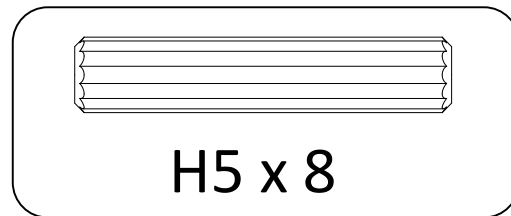
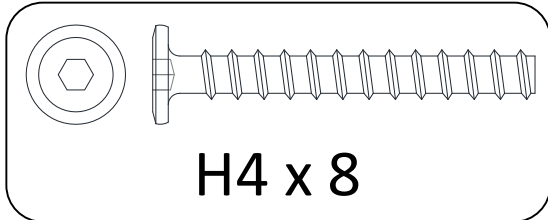


- Ahora, poner la Litera inferior en el lugar deseado en el cuarto donde estará la Litera.
- Insertar 4 conectores de cama (H8) en los postes inferiores (Q y R).
- Pedir asistencia para poner los postes superiores (A, B y C) sobre los conectores de cama (H8) en los postes inferiores (Q y R).

**NOTA:** Asegurar que la Litera superior esté puesta completamente arriba de la Litera inferior y de los conectores de cama, sin dejar espacios.

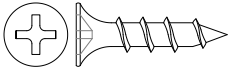
¿Necesita asistencia? Visítenos en: [samsclub.com/membersmarkhelp](https://samsclub.com/membersmarkhelp)

## Paso 19

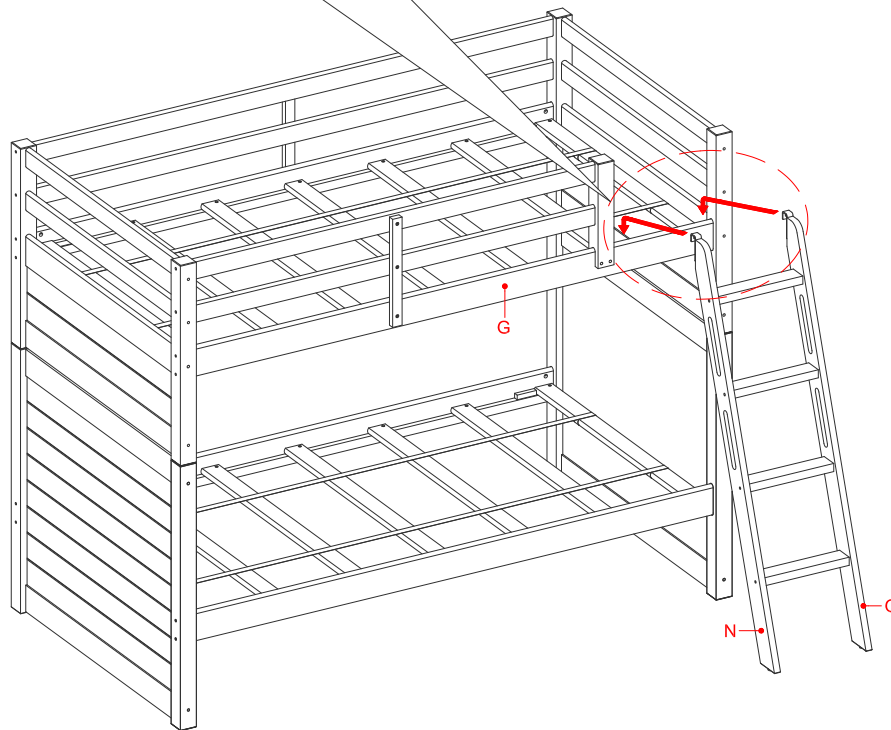
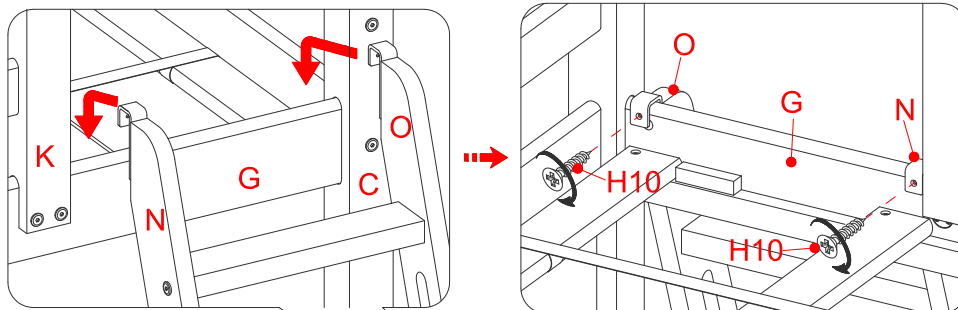


- Insertar 2 taquetes de madera de 50 mm (H5) en los agujeros grandes de cada escalón (P) en ambos lados.
- Adjuntar los soportes izquierdo y derecho de la escalera (N y O) a los escalones (P) usando los tornillos de 48 mm (H4). Apretar con la llave hexagonal provista.

## Paso 20



H10 x 2



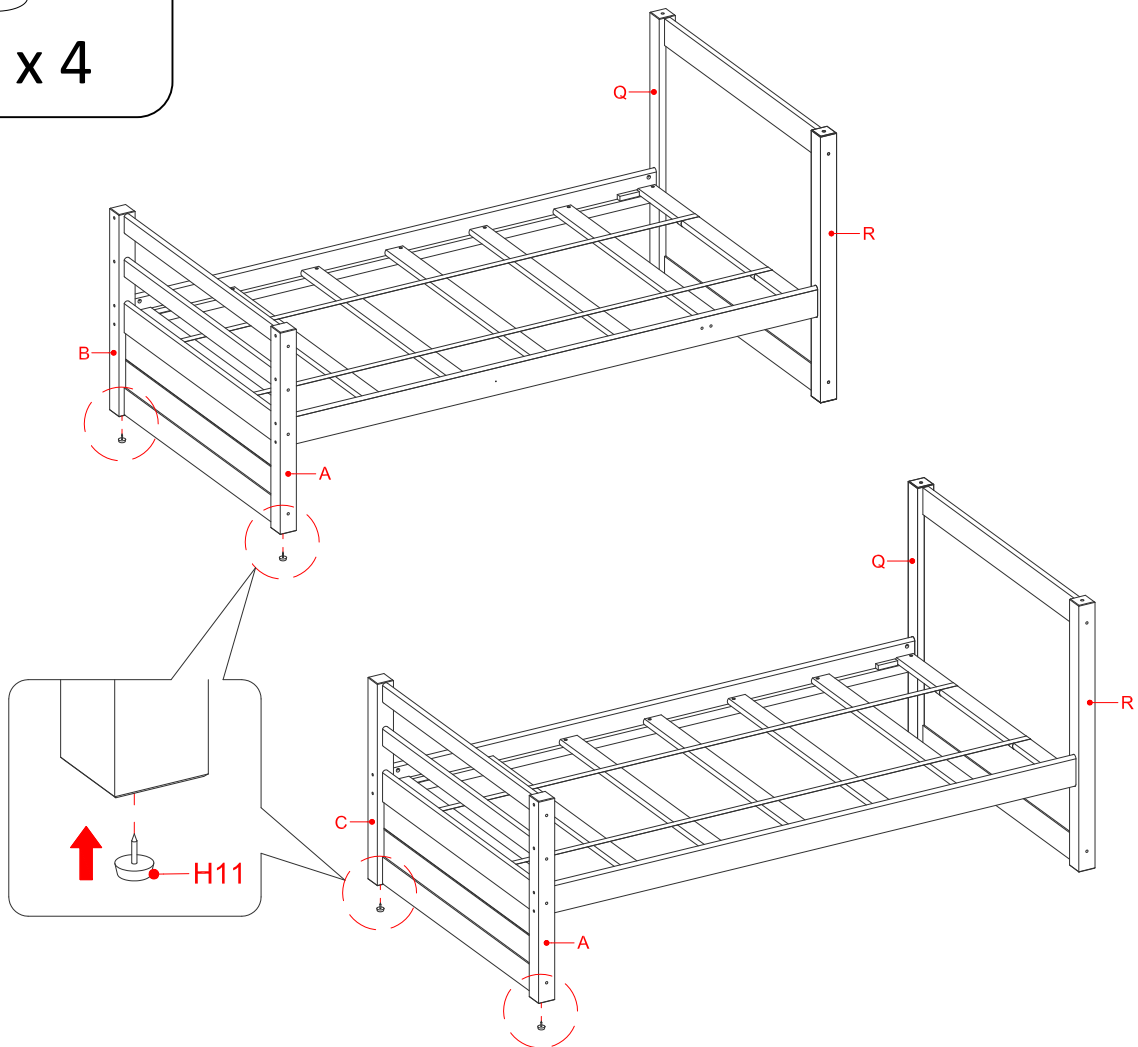
- a) Enganchar la escalera sobre la parte superior del riel lateral de la escalera (G), entre el poste frontal de la piecera superior (C) y el poste frontal del riel de seguridad (K) en la abertura provista. Asegurar los ganchos de la escalera en su lugar usando 2 pernos de 19 mm (H10).

**SOLO USAR LA ESCALERA EN ESTE LUGAR Y ASEGURAR CON TORNILLOS. EN EL POSTE FRONTAL DEL RIEL DE SEGURIDAD.**

## Desmontaje de la litera



H11 x 4



- Para convertir la Litera de vuelta en dos camas Individuales idénticas, primero desmontar los tornillos para retirar la escalera y los rieles de seguridad.
- Pedir asistencia para retirar la Litera superior de la Litera inferior.
- Desmontar los rieles laterales de las cabeceras (Literas superior e inferior).
- Reensamblar las cabeceras (con postes largos) y las pieceras (con postes cortos) a los rieles laterales como se muestra. Adjuntar los resbalones de piso (H11) a la parte inferior de los postes de la piecera.

**NOTA:** Cambiando las cabeceras permitirá a las dos camas ser idénticas (las cabeceras tendrán postes largos y las pieceras postes cortos).

¿Necesita asistencia? Visítenos en: [samsclub.com/membersmarkhelp](https://samsclub.com/membersmarkhelp)



## Advertencia

### **PARA AYUDAR A PREVENIR LESIONES SERIAS O FATALES POR ATASCAMIENTO O CAÍDAS**

- Siga la información en los avisos que aparecen en la estructura externa de la Litera superior y en el cartón. No retirar los avisos de la cama.
- Siempre usar el colchón del tamaño recomendado o el soporte del colchón, ó ambos, para ayudar a prevenir la posibilidad de atascamientos o caídas.
- La superficie del colchón debe de estar al menos 12,7 cm (5 pulgadas) abajo del borde superior del riel de seguridad.
- No permita que niños menores de 6 años usen la Litera superior.
- Revisar y asegurar periódicamente de que los rieles de seguridad, la escalera, u otros componentes estén en su posición correcta, libres de daños y de que todos los conectadores estén apretados.
- No permita luchas en o abajo de la cama y prohíba brincar en la cama.
- Siempre usar la escalera para subirse y bajarse de la Litera superior.
- No usar partes substitutas. Contactar al fabricante o al distribuidor para partes de repuesto.
- El uso de una luz nocturna puede proveer una seguridad extra para los niños que usan la Litera superior.
- Siempre usar los rieles de seguridad en los 2 lados largos de la Litera superior. Si la Litera será puesta contra la pared, el riel que corre la longitud completa de la Litera deberá ser puesta contra la pared para prevenir ser atascado entre la Litera y la pared.
- El uso de colchones de agua o inflables está prohibido.
- PELIGRO DE ESTRANGULACIÓN – Nunca adjuntar o colgar artículos a cualquier parte de la Litera que no estén diseñados para usarse con la Litera; por ejemplo, pero no limitado a, garfios, cinturones, y cuerdas para saltar.
- Prohíba que este más de una persona en la Litera superior.
- Mantenga estas instrucciones para referencia futura.

## Peligro

PELIGRO DE ESTRANGULACIÓN – Nunca adjuntar o colgar artículos a cualquier parte de la Litera que no estén diseñados para usarse con la Litera; por ejemplo, pero no limitado a, garfios, cinturones, y cuerdas para saltar.

## Solución de problemas

Problema	Posible Causa	Prevención / Solución
Hace ruido la cama	Los pernos están flojos	Revisar los pernos y soportes periódicamente y apretar los de ser necesario
Rayaduras / cortes	Daños por el ensamble o envío	Use una barra de reparación que coincida con la superficie de pintura para cubrir

## Instrucciones de cuidado y uso

Cuidado	Use una toalla suave y limpia que no rayara la superficie al limpiar.
	Uso de cera para pulir muebles no es necesario. Si desea usar cera, pruébela en un área que no sea visible para revisar su funcionamiento.
Uso	Usar solventes de cualquier tipo puede dañar el acabado del mueble.
	Nunca use agua para limpiar la unidad, ya que le puede dañar el acabado.
	Líquidos derramados deben limpiarse inmediatamente, con una toalla suave evitando tallar.
	No poner el mueble en luz solar directa.

## Instrucciones de almacenaje

Producto SM3FTOT	<ol style="list-style-type: none"> <li>1. Coloque con cuidado todos los componentes en la caja de envío y/o en el contenedor proporcionado con cinta adhesiva para cerrarla.</li> <li>2. Cuando no esté en uso, guarde su artículo en un lugar fresco y seco, lejos de la luz solar.</li> <li>3. Exponer su artículo a calor o humedad excesivos puede dañarlo.</li> </ol>
---------------------	--



# Instrucciones de ensamble y manual del usuario

## Información de garantía limitada

Este producto está cubierto por la Garantía de satisfacción de los miembros de Sam's Club. Visite [samsclub.com](http://samsclub.com) para obtener más información.

Este producto tiene un (1) año de garantía en contra de defectos en el material y/o la obra de mano. Si usted tiene preguntas sobre la garantía o partes extras/de repuesto, por favor llame a nuestro número de llamada gratuita **1-866-942-5362** o mande un email a [parts@whalenfurniture.com](mailto:parts@whalenfurniture.com).

**NOTA:** Por favor considere reciclar todo el material de empaque aplicable.

**Distribuido por Sam's West Inc.**  
2101 SE Simple Savings Dr.  
Bentonville, Arkansas 72716-0745  
Hecho en Vietnam

¿Necesita asistencia? Visítenos en: [samsclub.com/membersmarkhelp](http://samsclub.com/membersmarkhelp)



