

Assembly Instructions & User' s Manual

for

Maxson Twin loft bed with desk

Model Number: SMTLBWDSK / SMTLBWDSK-E

Customer Assistance (spare/replacement parts): 1-866-942-5362


or Email: parts@whalenfurniture.com



LOT NUMBER: _____ DATE PURCHASED: __/__/_____

THIS ASSEMBLY MANUAL CONTAINS **IMPORTANT** SAFETY INFORMATION.
PLEASE READ AND KEEP FOR FUTURE REFERENCE.

Table of Contents

Quality Statement.....	3
Important Safety Information	3
Before Assembly	3
Care & Use	3
 Warning.....	4
Product Information	4
Package Contents	6
Components	7
Hardware	10
Tools	10
Assembly.....	11
Troubleshooting.....	36
Care & Use Instructions	36
Warranty Information	36

Quality Statement

Questions or Comments?

We would love to hear about your experience! Visit us at:

www.whalenstyle.com

Important Safety Information

- *Please read all instructions carefully before assembling this product.*
- *Where applicable, and for your safety, assembly by an adult is strongly recommended.*
- *Use only vendor-supplied hardware to assemble this item. Using unauthorized hardware could jeopardize the structural integrity of the item.*
- *Hardware may loosen overtime. Periodically check that all connections are tight.*

Before Assembly

- *Remove all parts and hardware from the box. Place all items on a carpeted or scratch-free work surface, as this will avoid damaging parts during assembly.*
- *The shipping box can provide an ideal work surface if none is available.*
- *Use the components and hardware lists below to identify, inventory and separate each of the hardware and components included.*
- *To avoid accidentally discarding small components or hardware, do not dispose of any packaging or contents of the shipping carton until assembly is complete.*
- **DO NOT USE** *power tools unless it is explicitly identified in this manual as required for use during assembly. Power tools can damage the fasteners, hardware and/or components.*
- *Do not fully tighten all fasteners / screws until all parts are in place. Failure to follow these instructions may cause the fasteners / screws to misalign during assembly.*

Care & Use

- *Use a soft, clean cloth that will not scratch the surface when dusting.*
- *Use of furniture polish is not necessary. Should you choose to use polish, test first in an inconspicuous area.*
- *Using solvents of any kind on your furniture may damage the finish.*
- *Never use water to clean your furniture as it may cause damage to the finish.*
- *Liquid spills should be removed immediately. Using a soft, clean cloth, blot the spill gently. Avoid rubbing.*
- *Do not place furniture in direct sunlight.*

Warning

ALWAYS USE GUARDRAILS ON BOTH LONG SIDES OF THE UPPER BUNK. IF THE BUNK BED WILL BE PLACED NEXT TO THE WALL, THE GUARDRAIL THAT RUNS THE FULL LENGTH OF THE BED SHOULD BE PLACED AGAINST THE WALL TO PREVENT ENTRAPMENT BETWEEN THE BED AND WALL.

STRANGULATION HAZARD - Never attach or hang items to any part of the bunk bed that are not designed for use with the bed; for example, but not limited to, hooks, belts, and jump ropes.

Prohibit more than one person on upper bunk.

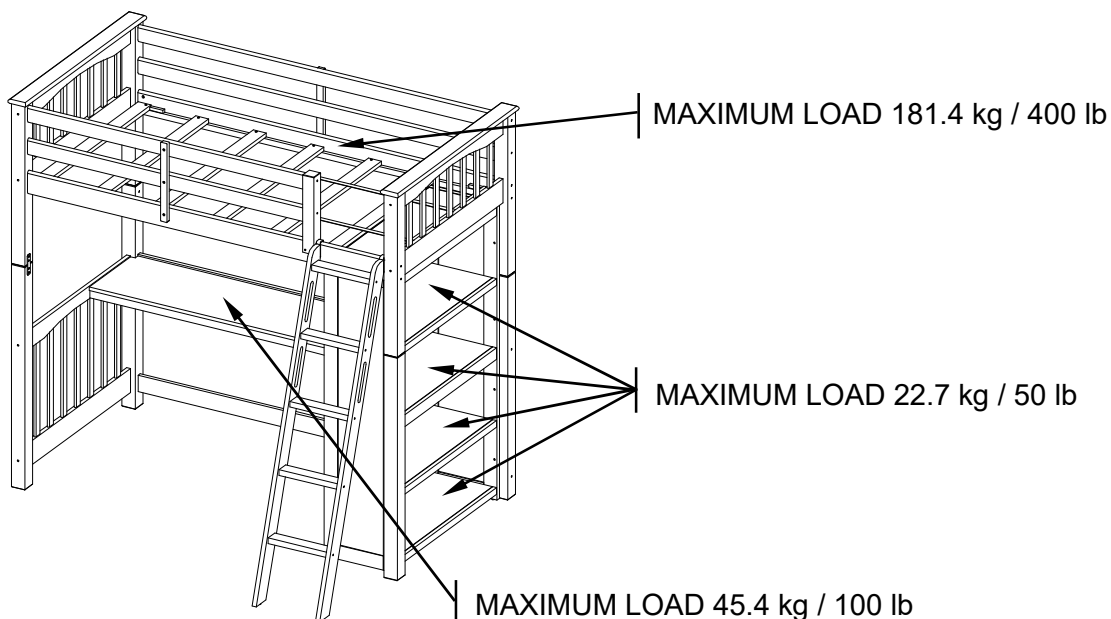
Maximum mattress thickness must not exceed 9 in. (22.86 cm). Surface of mattress must be at least 5 in. (12.70 cm) below the upper edge of guardrails.


Use only mattress which is 74 in. (1.88 m) to 75 in. (1.90 m) long and 37 ½ in. (95.25 cm) to 38 ½ in. (97.79 cm) wide on upper bunk.

Replacement parts, including additional guardrails, may be obtained from any our dealers.

Product Information

Dimensions – **80.625" W x 64.875" D x 77.125" H (204.8cm W x 164.7cm D x 195.8cm H)**
Weight Capacity

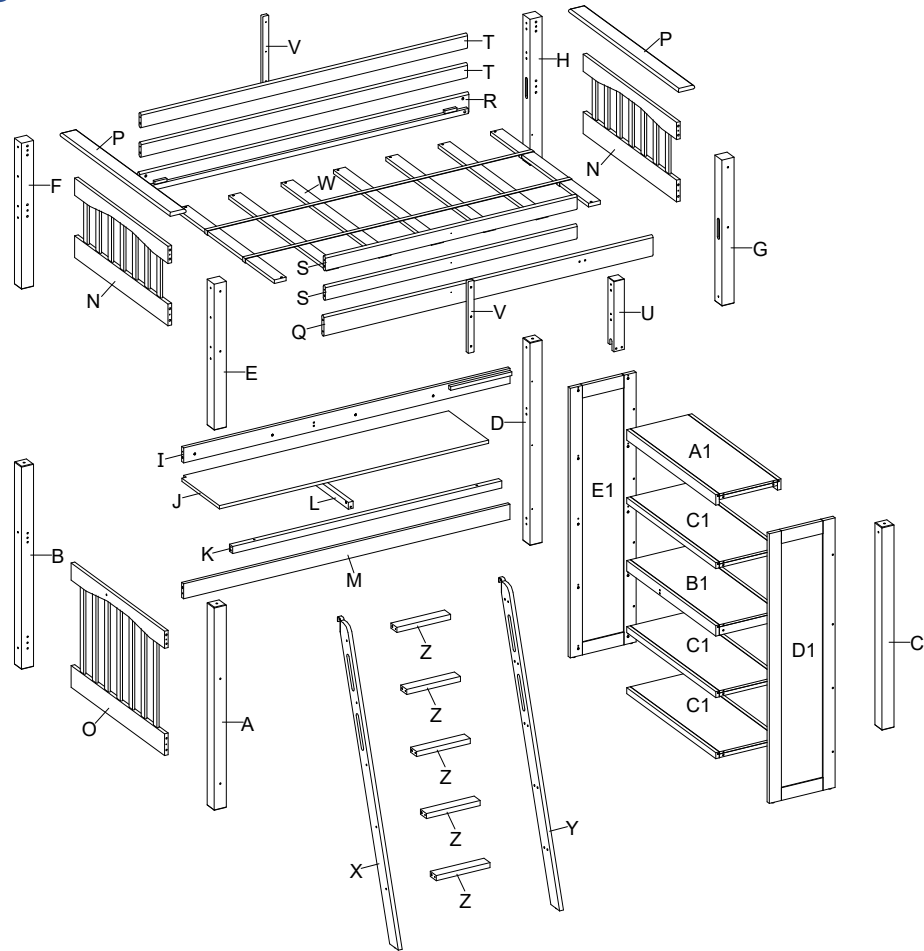


 WARNING THIS UNIT IS INTENDED ONLY FOR USE WITHIN THE MAXIMUM WEIGHTS INDICATED. USE WITH LOADS HEAVIER THAN THE MAXIMUM WEIGHTS INDICATED MAY RESULT IN INSTABILITY, CAUSING POSSIBLE INJURY.

TO HELP PREVENT SERIOUS OR FATAL INJURIES FROM ENTRAPMENT OR FALLS

- Follow the information on the warnings appearing on the upper bunk end structure and on the carton. Do not remove warning label from bed.
- Always use the recommended size mattress or mattress support, or both, to help prevent the likelihood of entrapment or falls.
- Surface of mattress must be at least 5 in. (12.70 cm) below the upper edge of guardrails.
- Do not allow children under 6 years of age to use the upper bunk.
- Periodically check and ensure that the guardrail, ladder and other components are in their proper position, free from damage and that all connectors are tight.
- Do not allow horseplay on or under the bed and prohibit jumping on the bed.
- Always use the ladder for entering and leaving the upper bunk.
- Do not use substitute parts. Contact the manufacturer or dealer for replacement parts.
- Use of a night light may provide added safety precaution for a child using the upper bunk.
- Always use guardrails on both long sides of the upper bunk. If the bunk bed will be placed next to the wall, the guardrail that runs the full length of the bed should be placed against the wall to prevent entrapment between the bed and wall.
- The use of water or sleep flotation mattress is prohibited.
- **STRANGULATION HAZARD** – Never attach or hang items to any part of the bunk bed that are not designed for use with the bed; for example, but not limited to, hooks, belts, and jump ropes.
- Prohibit more than one person on upper bunk.
- Keep these instructions for future reference.

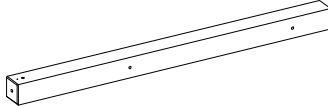
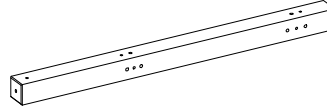
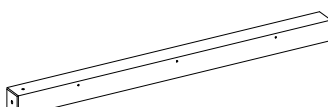
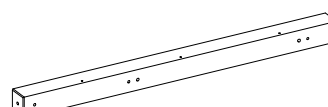
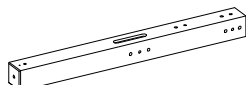
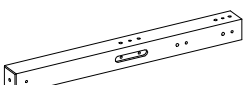
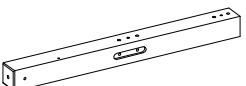
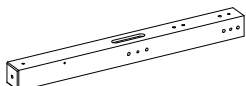
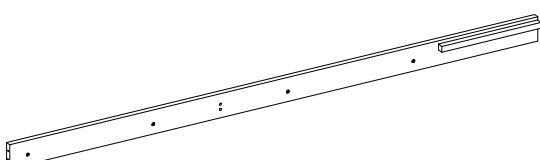
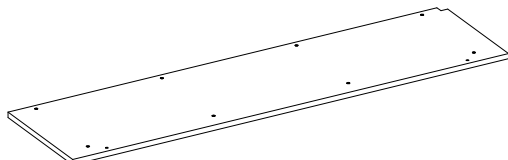
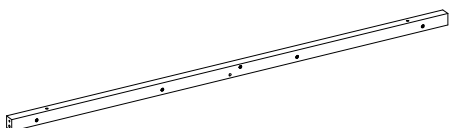
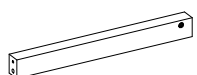
Package Contents



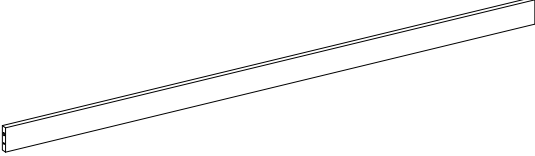
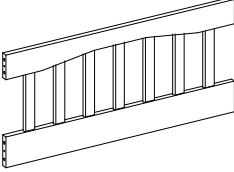
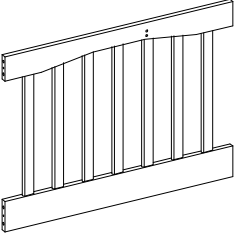

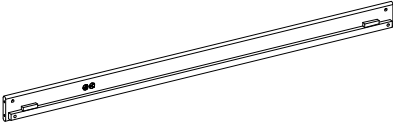
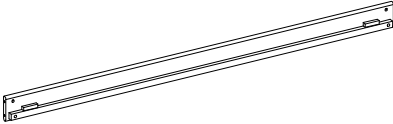
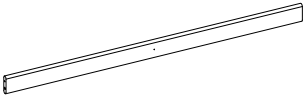
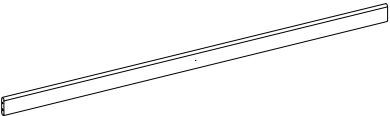
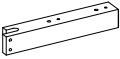

Component	Description	Qty.
A	Headboard Lower Front Post	1
B	Headboard Lower Back Post	1
C	Footboard Lower Front Post	1
D	Footboard Lower Back Post	1
E	Headboard Upper Front Post	1
F	Headboard Upper Back Post	1
G	Footboard Upper Front Post	1
H	Footboard Upper Back Post	1
I	Middle Back Stretcher	1
J	Desk Top	1
K	Desk Top Front Stretcher	1
L	Desk Middle Stretcher	1
M	Lower Back Rail	1
N	Upper Cross Assembly	2
O	Lower Cross Assembly	1
P	Cap Rail	2

Component	Description	Qty.
Q	Ladder Side Rail	1
R	Mattress Side Rail	1
S	Short Guard Rail	2
T	Long Guard Rail	2
U	Front Guardrail Post	1
V	Guardrail Support	2
W	Mattress Support Slats	1
X	Left Ladder Support	1
Y	Right Ladder Support	1
Z	Ladder Step	5
A1	Bookcase Top	1
B1	Bookcase Middle Shelf	1
C1	Bookcase Upper / Lower Shelf	3
D1	Bookcase Front Panel	1
E1	Bookcase Back Panel	1

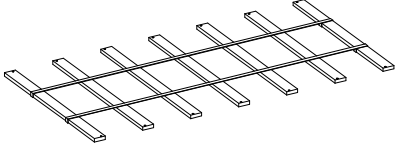
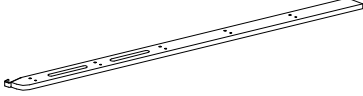
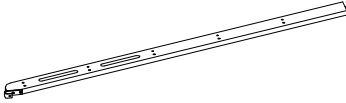

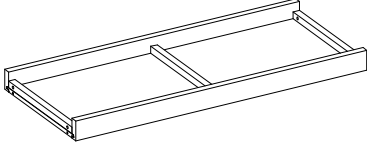
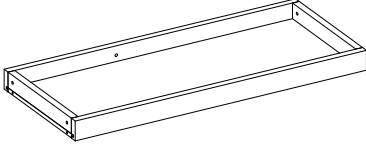
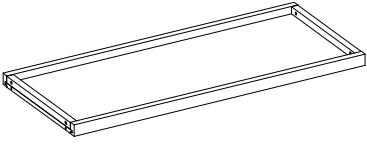
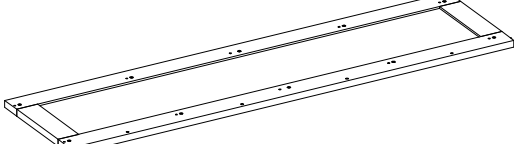
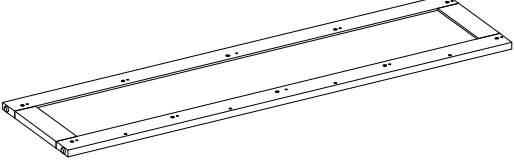
Components

<p>Component A Part No. 00SMTLBWDSK-A Qty. 1</p>	<p>Component B Part No. 00SMTLBWDSK-B Qty. 1</p>
	
<p>Component C Part No. 00SMTLBWDSK-C Qty. 1</p>	<p>Component D Part No. 00SMTLBWDSK-D Qty. 1</p>
	
<p>Component E Part No. 00SMTLBWDSK-E Qty. 1</p>	<p>Component F Part No. 00SMTLBWDSK-F Qty. 1</p>
	
<p>Component G Part No. 00SMTLBWDSK-G Qty. 1</p>	<p>Component H Part No. 00SMTLBWDSK-H Qty. 1</p>
	
<p>Component I Part No. 00SMTLBWDSK-I Qty. 1</p>	<p>Component J Part No. 00SMTLBWDSK-J Qty. 1</p>
	
<p>Component K Part No. 00SMTLBWDSK -K Qty. 1</p>	<p>Component L Part No. 00SMTLBWDSK-L Qty. 1</p>
	

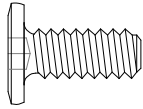
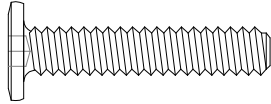
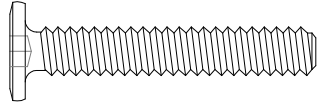
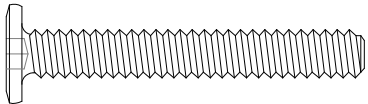
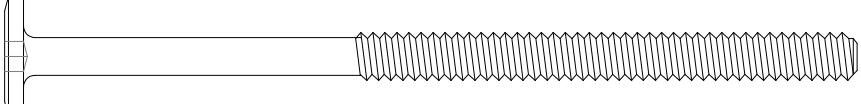
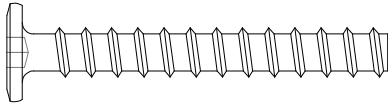
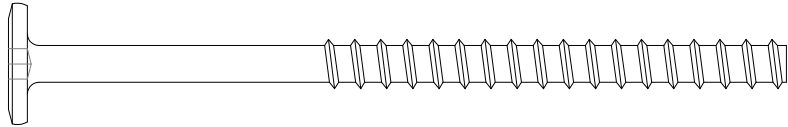
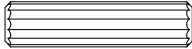
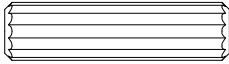
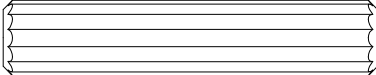
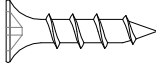
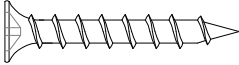
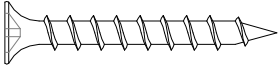
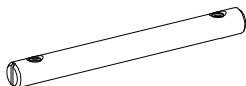
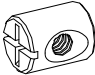
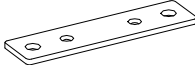

Components Continued

<p>Component M Part No. 00SMTLBWDSK-M Qty. 1</p>	<p>Component N Part No. 00SMTLBWDSK-N Qty. 2</p>
	
<p>Component O Part No. 00SMTLBWDSK-O Qty. 1</p>	<p>Component P Part No. 00SMTLBWDSK-P Qty. 2</p>
	
<p>Component Q Part No. 00SMTLBWDSK-Q Qty. 1</p>	<p>Component R Part No. 00SMTLBWDSK-R Qty. 1</p>
	
<p>Component S Part No. 00SMTLBWDSK-S Qty. 2</p>	<p>Component T Part No. 00SMTLBWDSK-T Qty. 2</p>
	
<p>Component U Part No. 00SMTLBWDSK-U Qty. 1</p>	<p>Component V Part No. 00SMTLBWDSK-V Qty. 2</p>
	


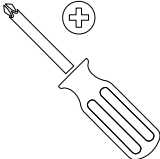
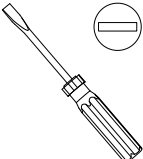
Components Continued

<p>Component W Part No. 00SMTLBWDSK-W Qty. 1</p>	<p>Component X Part No. 00SMTLBWDSK-X Qty. 1</p>
	
<p>Component Y Part No. 00SMTLBWDSK-Y Qty. 1</p>	<p>Component Z Part No. 00SMTLBWDSK-Z Qty. 5</p>
	
<p>Component A1 Part No. 00SMTLBWDSK-A1 Qty. 1</p>	<p>Component B1 Part No. 00SMTLBWDSK-B1 Qty. 1</p>
	
<p>Component C1 Part No. 00SMTLBWDSK-C1 Qty. 3</p>	<p>Component D1 Part No. 00SMTLBWDSK-D1 Qty. 1</p>
	
<p>Component E1 Part No. 00SMTLBWDSK-E1 Qty. 1</p>	
	

Hardware

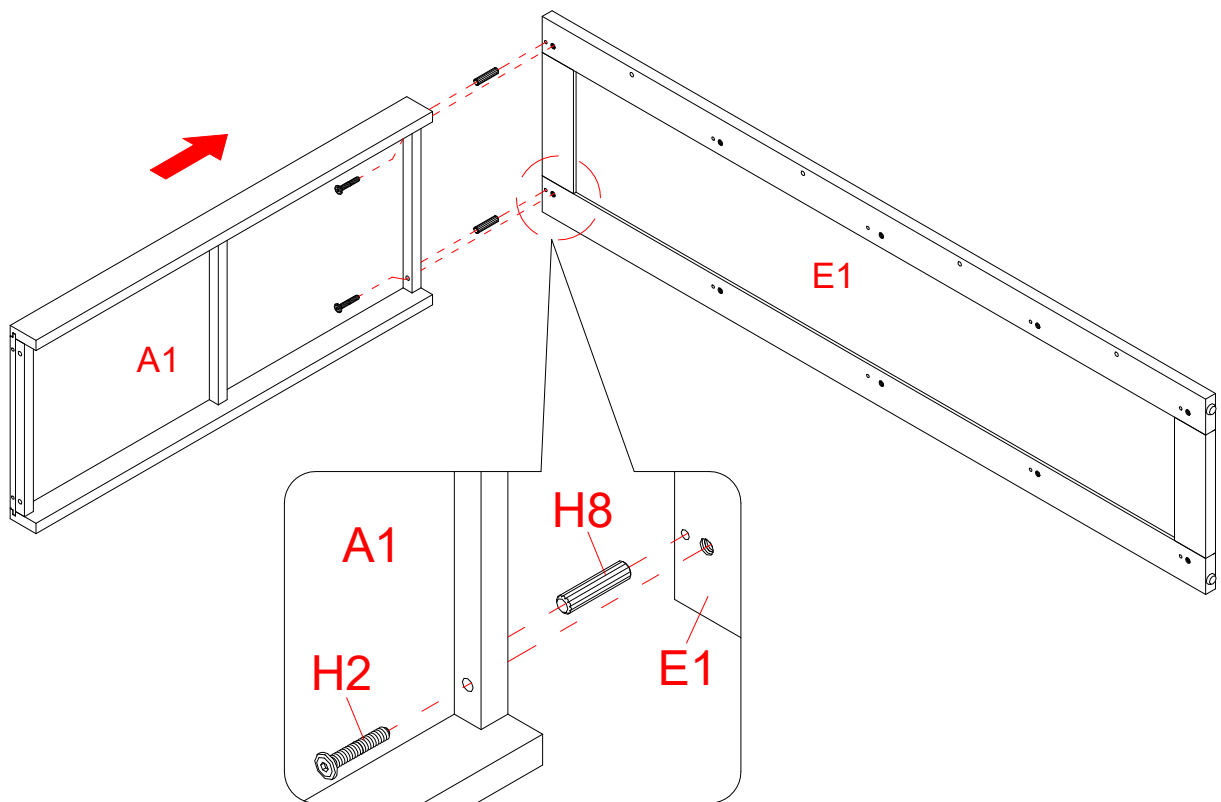
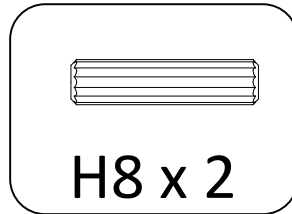
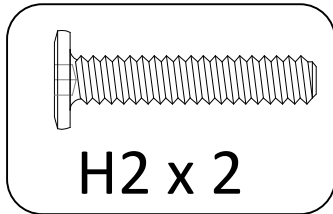
1/4" x 15mm Bolt (H1) Qty. 18+1 extra	1/4" x 32mm Bolt (H2) Qty. 20+1 extra	1/4" x 38mm Bolt (H3) Qty. 2+1 extra	
			
1/4" x 45mm Bolt (H4) Qty. 8+1 extra	1/4" x 110mm Bolt (H5) Qty. 8+1 extra		
			
M6.5 x 48mm Tapping Bolt (H6) Qty. 29+1 extra	M6.5 x 100mm Tapping Bolt (H7) Qty. 24+1 extra		
			
M6 x 25mm Wood Dowel (H8) Qty. 20+1 extra	M8 x 30mm Wood Dowel (H9) Qty. 6+1 extra	M10 x 50mm Wood Dowel (H10) Qty. 50+2 extra	
			
M3.5 x 19mm Screw (H11) Qty. 4+1 extra	M4 x 30mm Screw (H12) Qty. 6+1 extra	M4 x 35mm Screw (H13) Qty. 14+1 extra	
			
Bed Connector Pin (H14) Qty. 4	Barrel Nut (H15) Qty. 8+1 extra	Metal Bracket (H16) Qty. 1	L-shaped Bracket (H17) Qty. 9
			

Tools

Hex Wrench (H18) (Included) Qty. 2	Phillips Screwdriver (Not included)	Flat Head Screwdriver (Not included)
		

Assembly

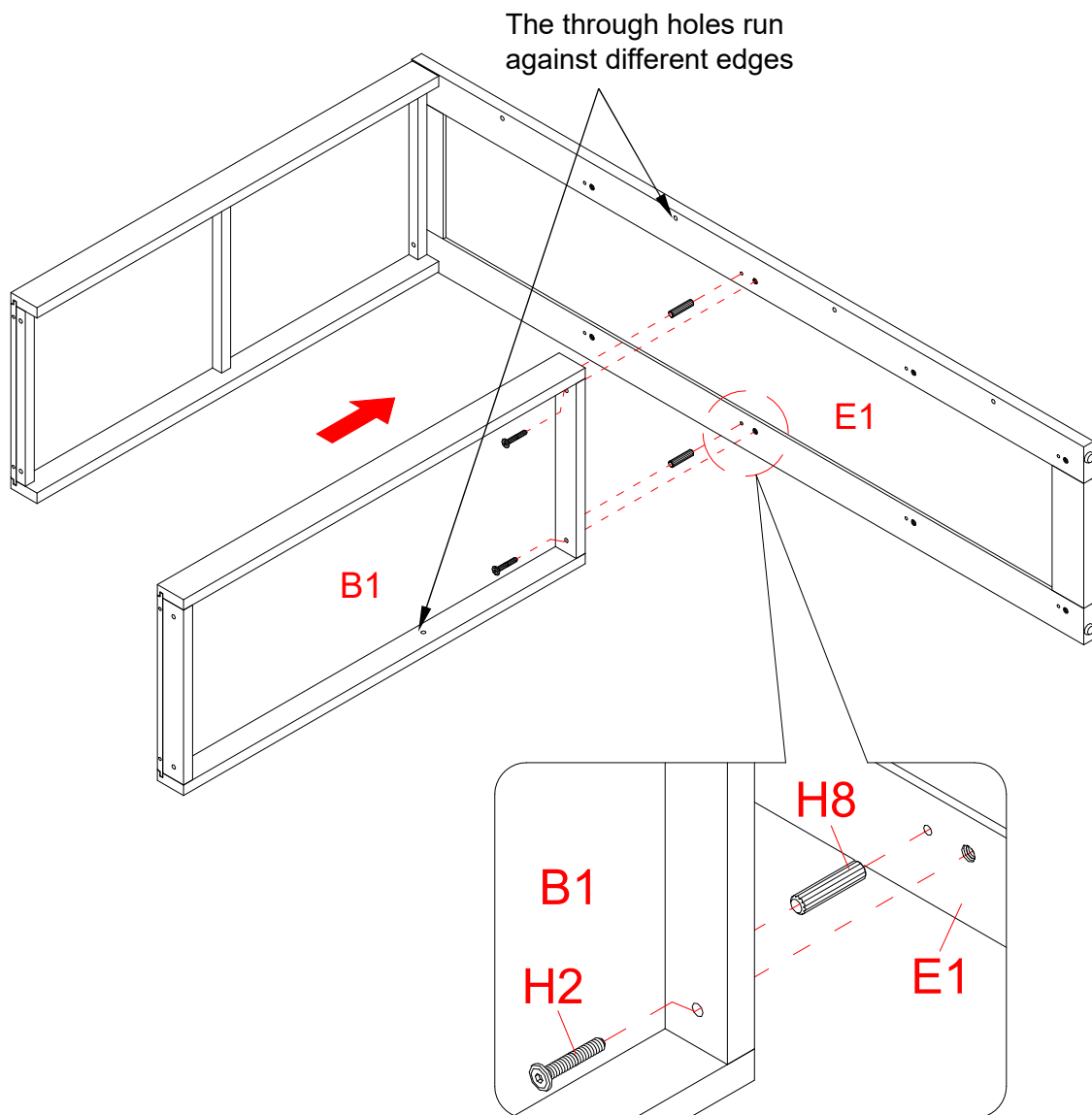
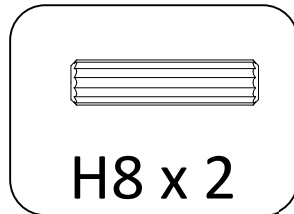
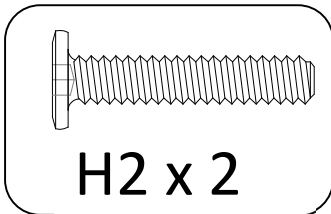
Step 1



NOTE: Please follow the instructions carefully to insure a safe and sturdy bed. Do not fully tighten the bolts until all rails and guardrails are attached.

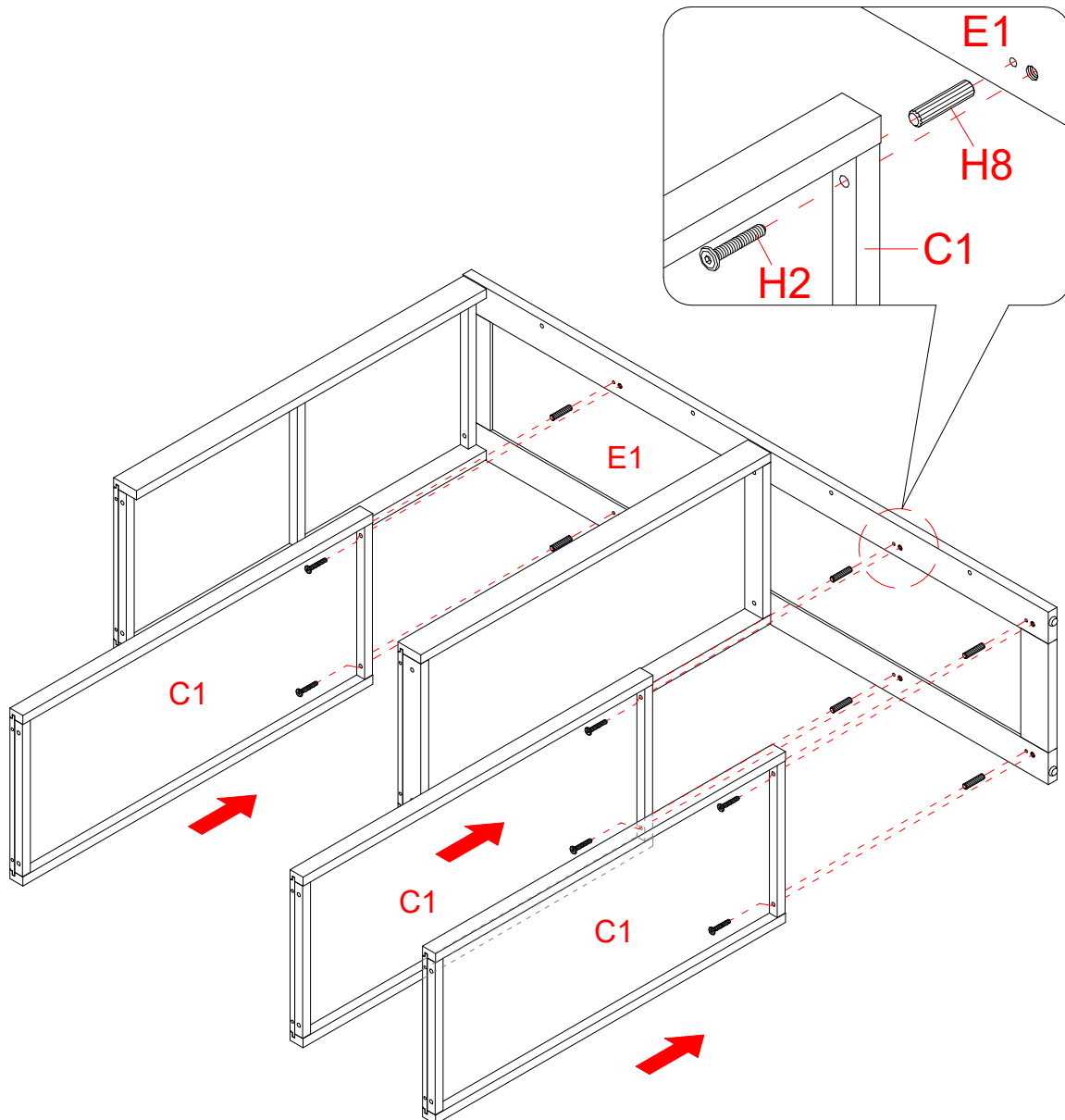
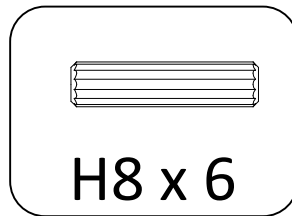
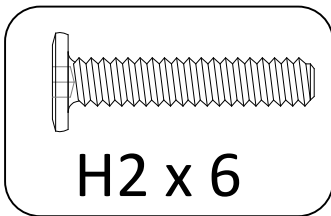
- Unpack the units and confirm that you have all hardware and required parts.
- Insert two 25 mm Wood Dowels (H8) into the inner holes on the Bookcase Top (A1) and attach it to the Bookcase Back Panel (E1) using two 32 mm Bolts (H2). Securely tighten the bolts with the hex wrench provided.

Step 2



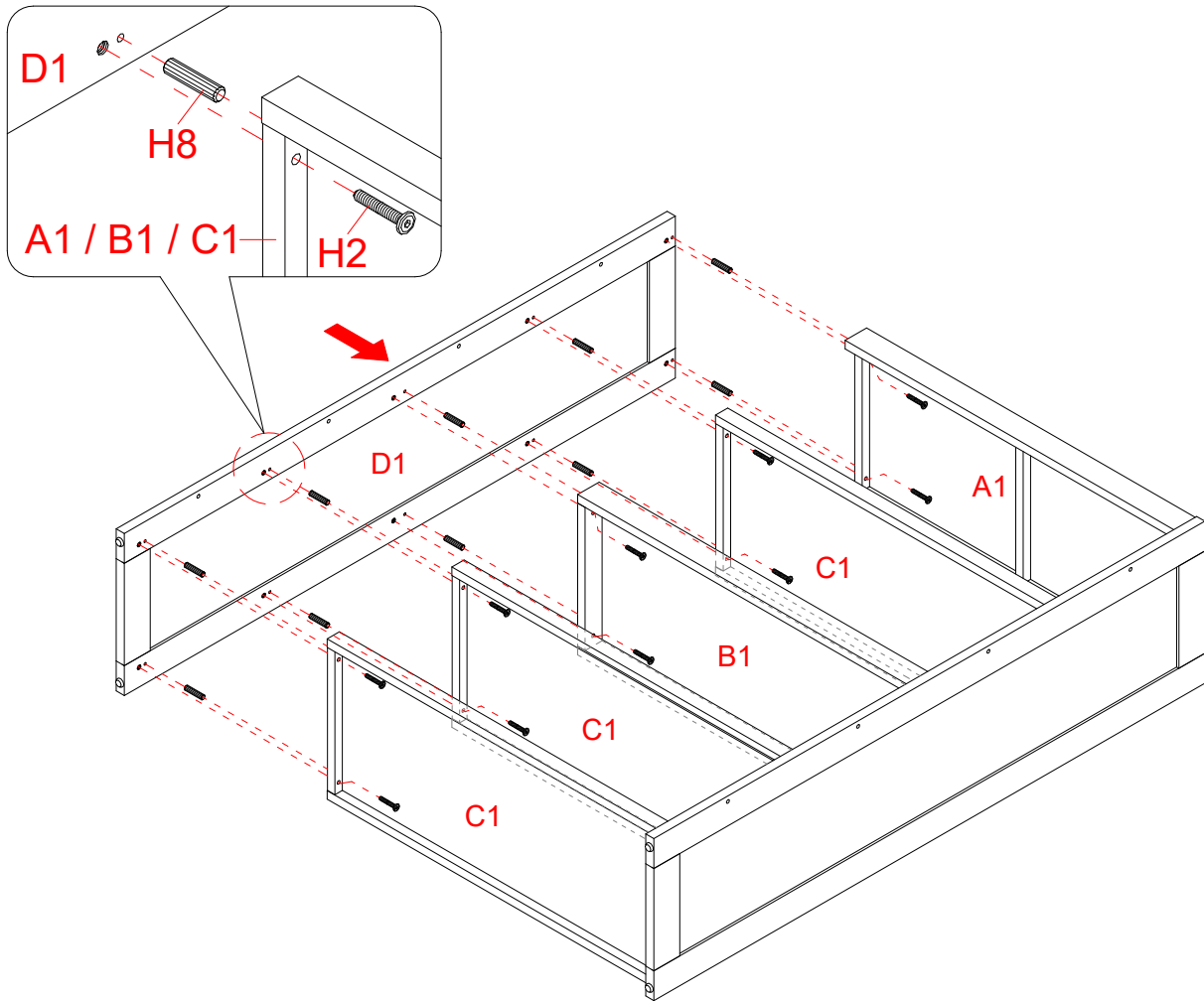
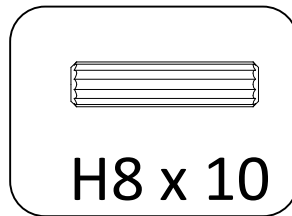
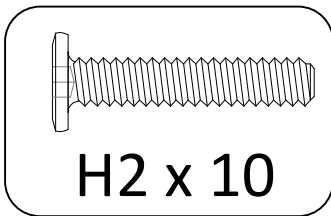
- a) Insert two 25 mm Wood Dowels (H8) into the inner hole on the Bookcase Middle Shelf (B1) and attach it to the Bookcase Back Panel (E1) with two 32 mm Bolts (H2).

Step 3



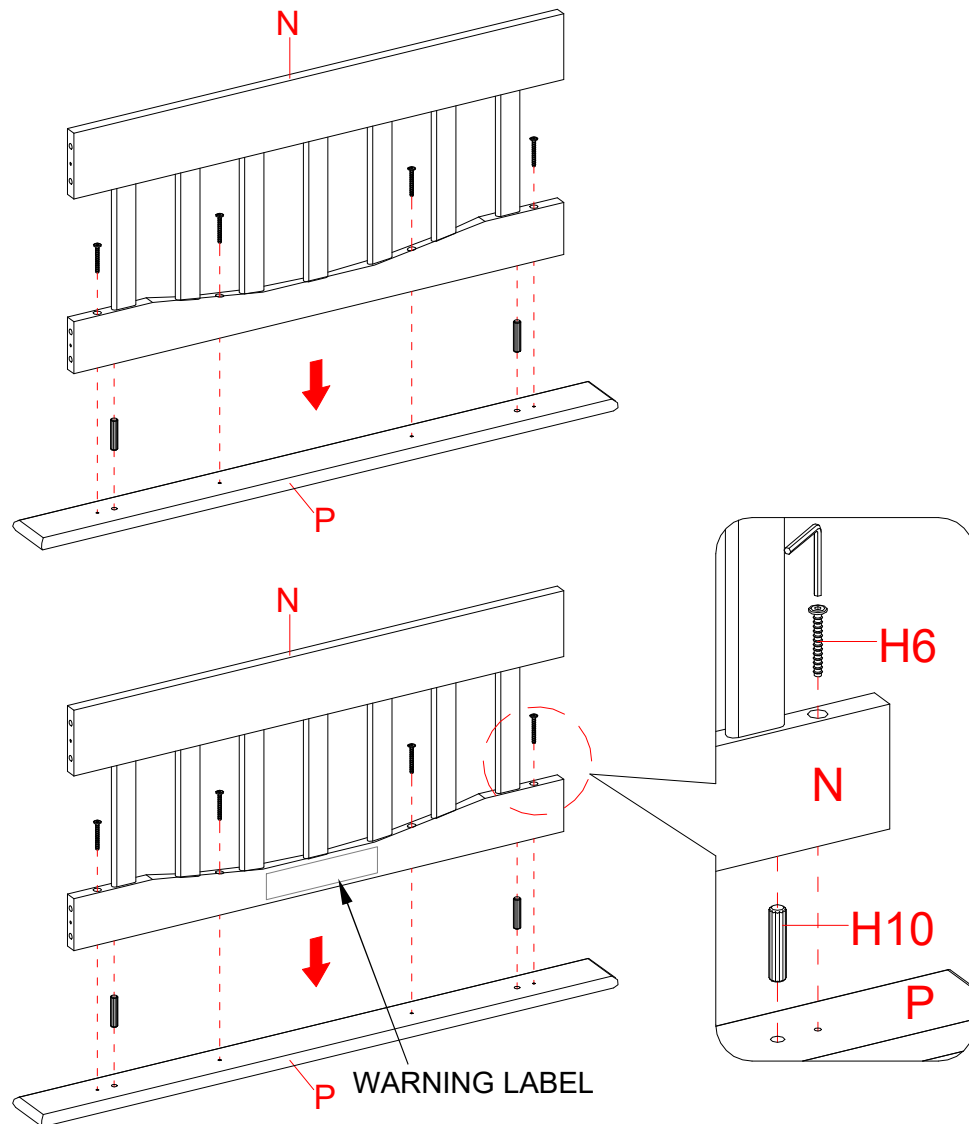
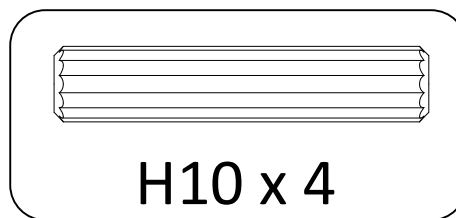
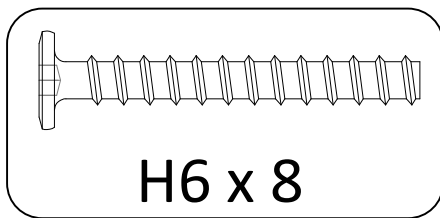
- a) Attach the Bookcase Upper / Lower Shelves (C1) to the Bookcase Back Panel (E1) with six 32 mm Bolts (H2) and six 25 mm Wood Dowels (H8).

Step 4



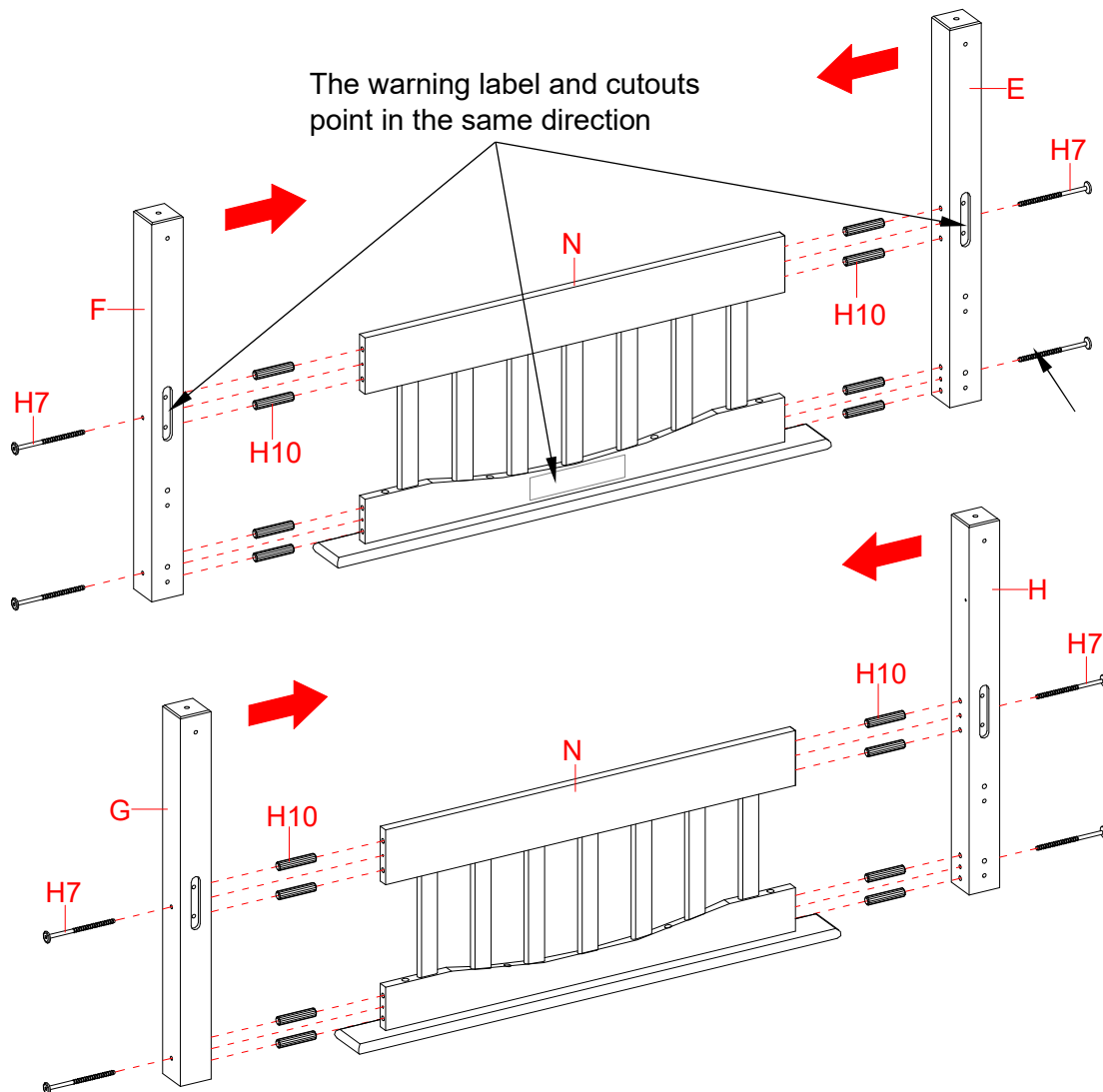
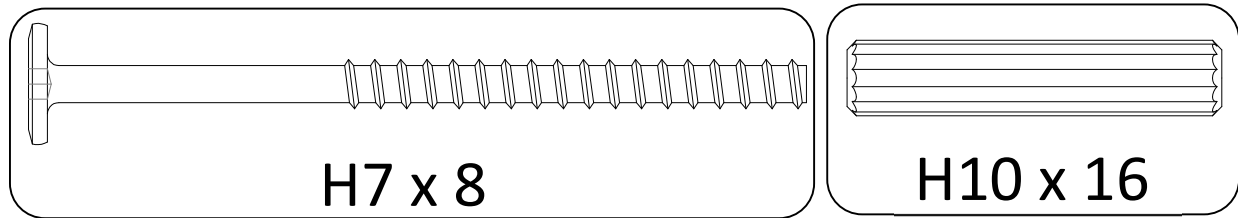
- Repeat the same procedure to attach the Bookcase Front Panel (D1) at the opposite end.
- Ask for assistance to lift the assembled bookcase upright and position it near the final location.

Step 5



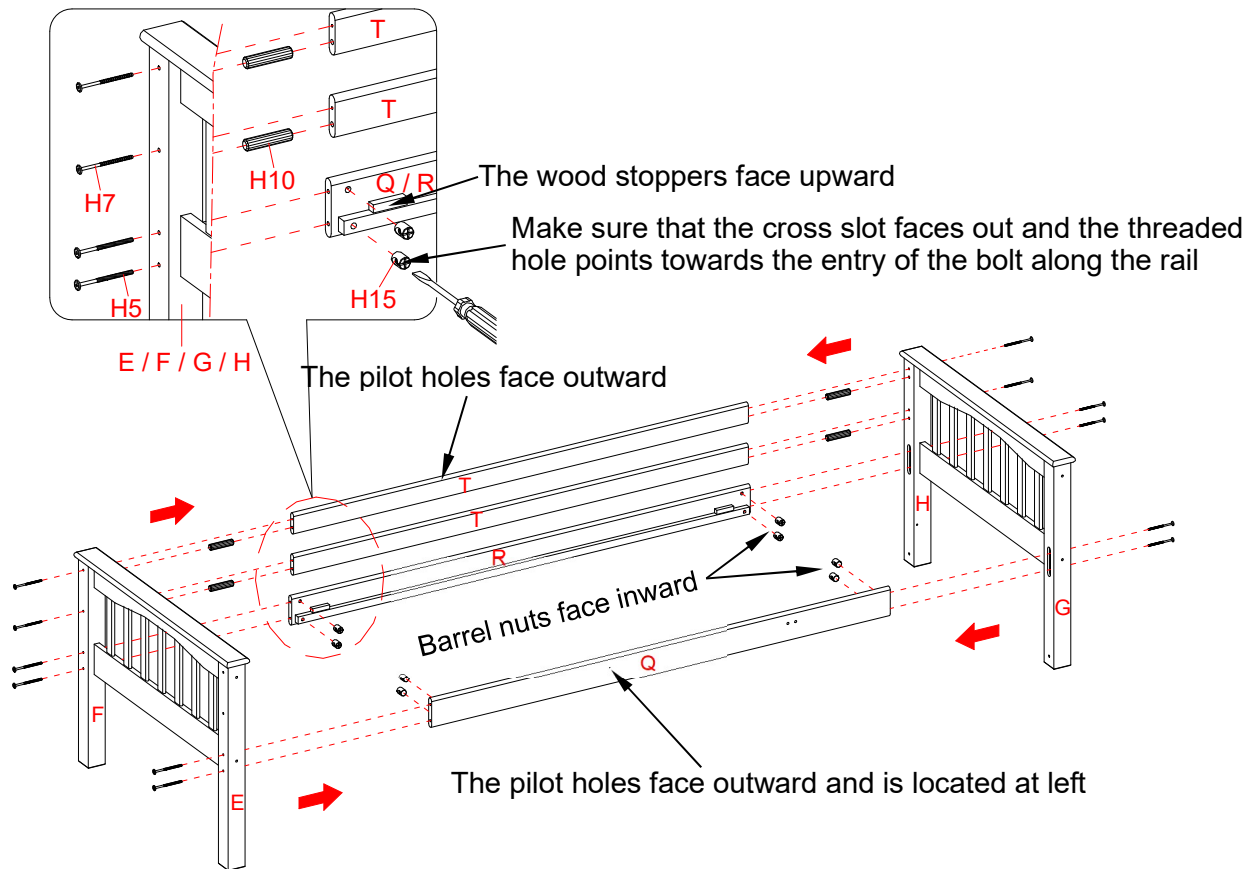
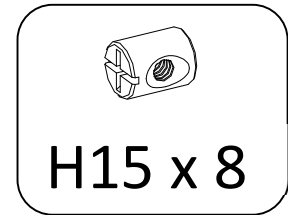
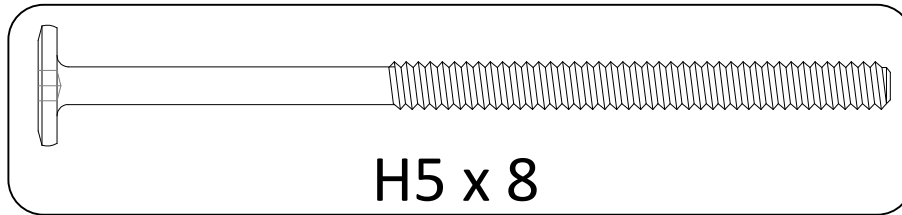
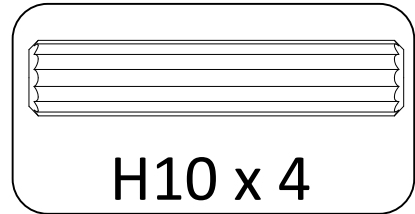
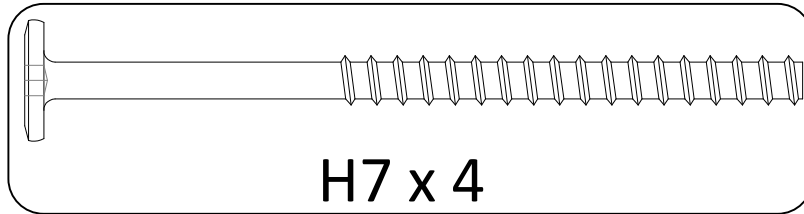
- Align and attach one Upper Cross Assembly (N) to one Cap Rail (P) using two 50 mm Wood Dowels (H10) and four 48 mm Tapping Bolts (H6). Securely tighten the bolts with the hex wrench provided.
- Repeat the same procedure to combine the remaining Cap Rail (P) and Upper Cross Assembly (N) together.

Step 6



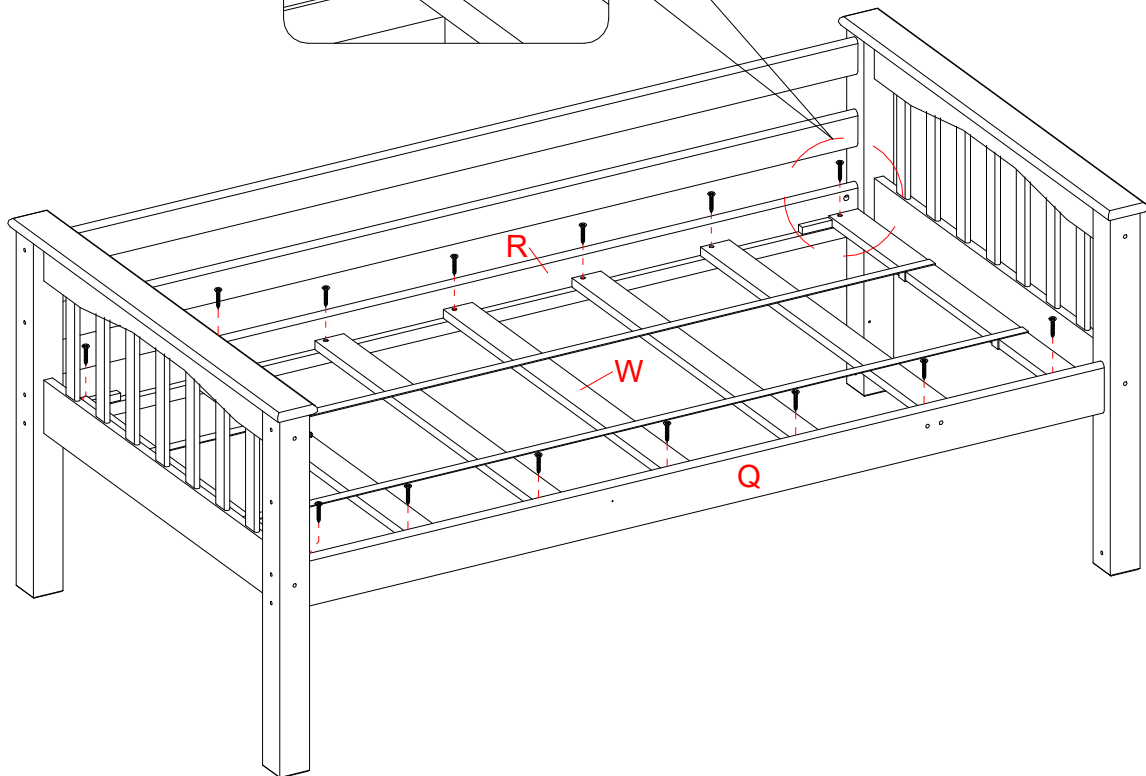
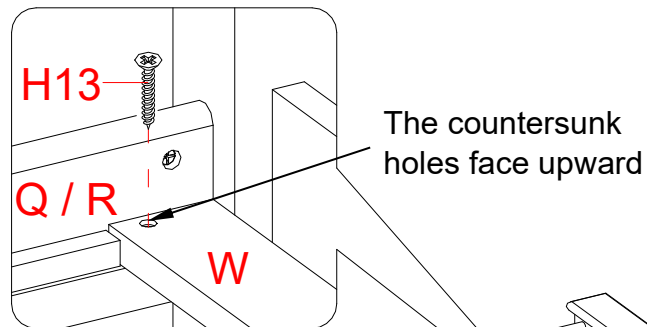
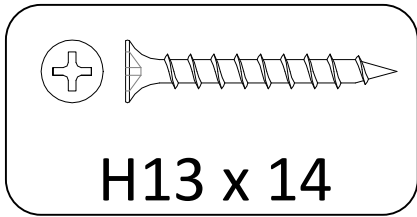
- Insert four 50 mm Wood Dowels (H10) into the end holes on the Upper Cross Assembly with warning label (N). Attach the Headboard Upper Posts (E and F) to the Upper Cross Assembly (N) with four 100 mm Tapping Bolts (H7) as shown. Tighten the bolts with the hex wrench.
- Repeat the same procedure to attach Footboard Upper Posts (G and H) to the other Upper Cross Assembly (N).

Step 7



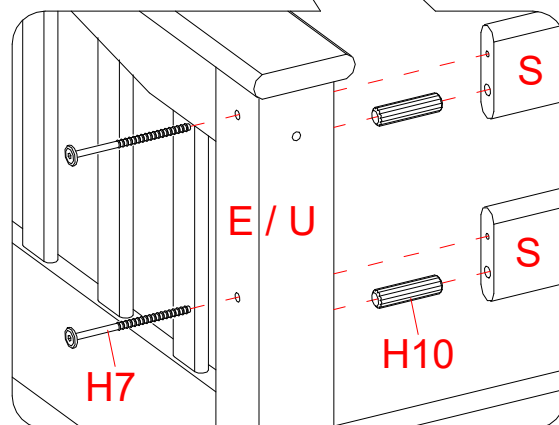
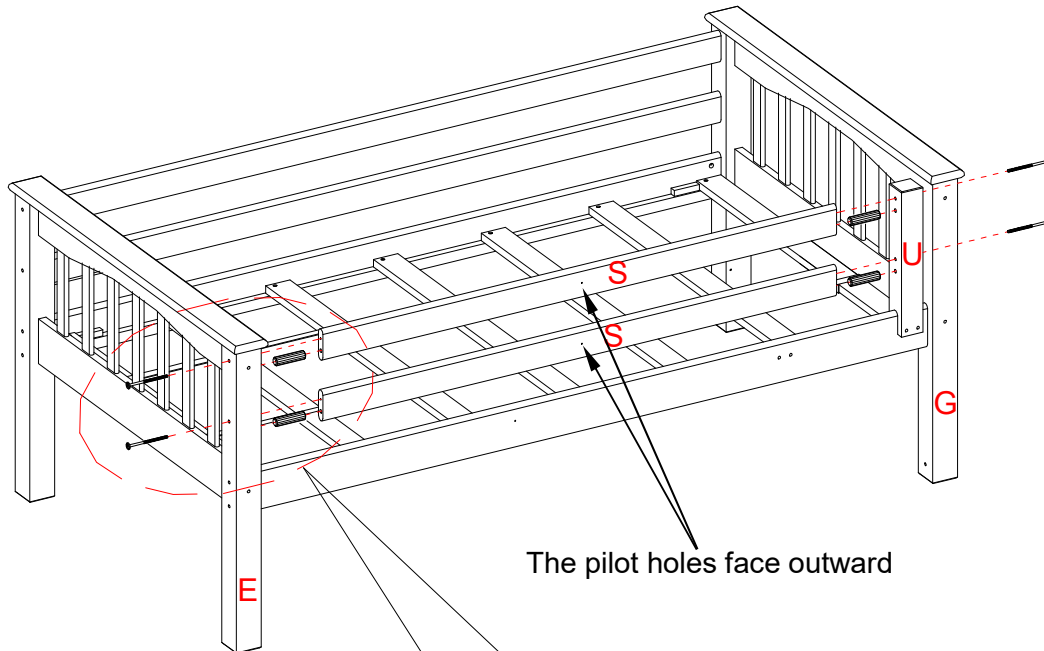
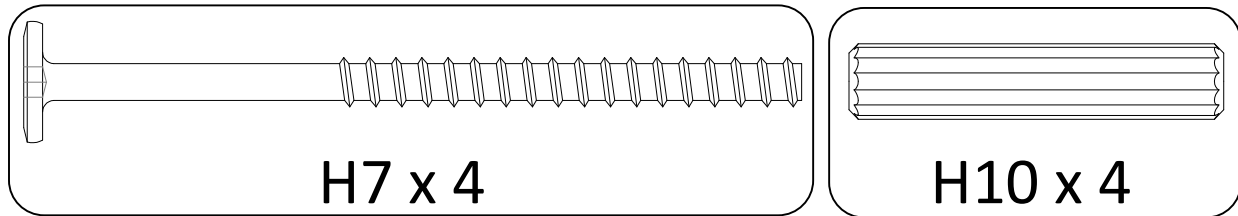
- Insert the 50 mm Wood Dowels (H10) into the drilled large holes on the Long Guardrail (T) at both ends. Attach two Long Guardrails (T) between the Upper Back Posts (F and H) with four 100 mm Tapping Bolts (H7).
- Attach the Mattress Side Rail (R) between the Upper Back Posts (F and H) with four 110 mm Bolts (H5) and four Barrel Nuts (H15). Make sure the wood stoppers on side rail are up and face inward.
- Attach the Ladder Side Rail (Q) between the Upper Front Posts (E and G) using four 110 mm Bolts (H5) and four Barrel Nuts (H15). Make sure the wood stoppers are up and face inward.

Step 8



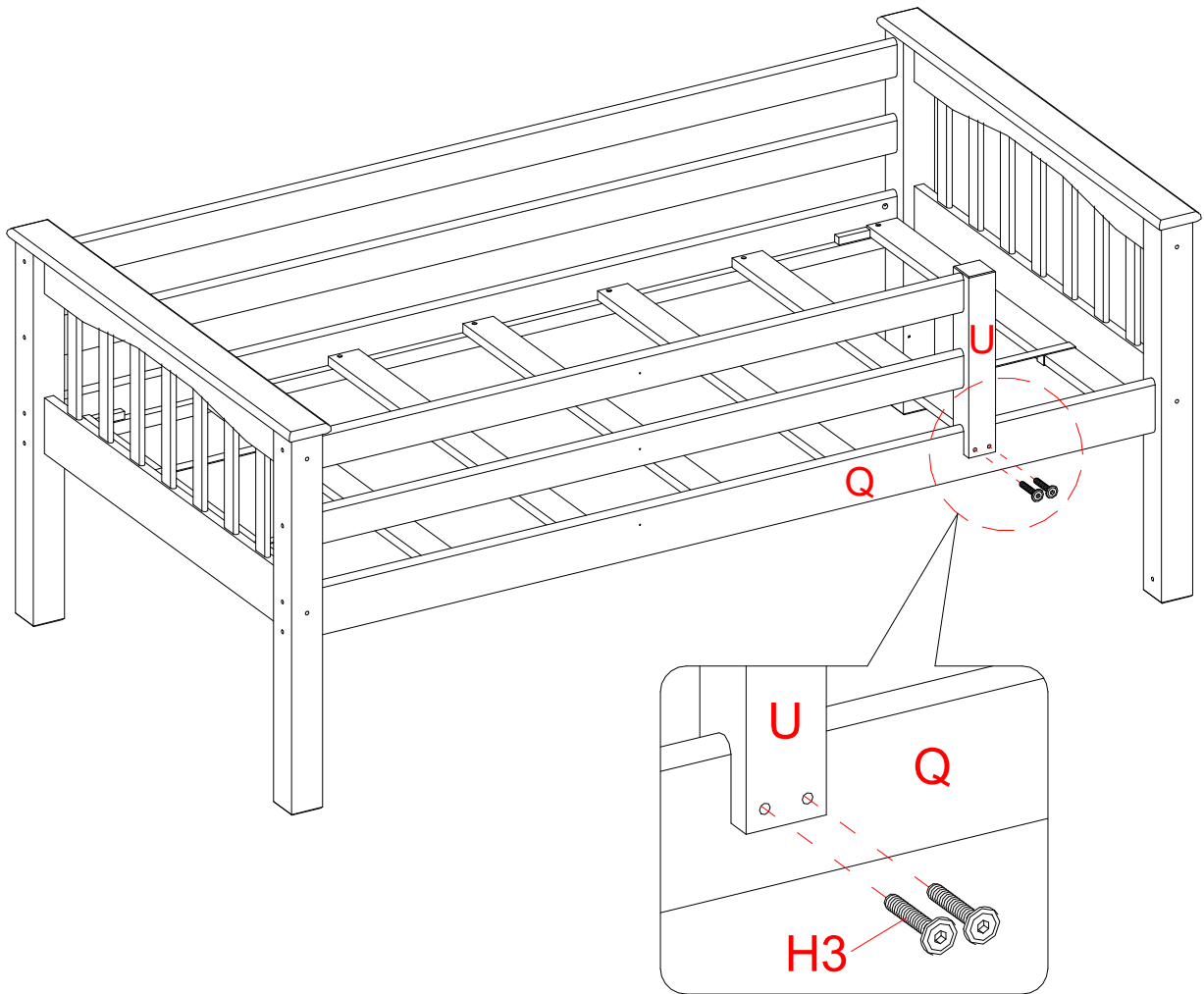
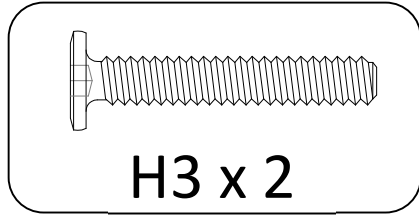
- a) Lay out the Upper Mattress Support Slats (W) between the wood stoppers on the Ladder Side Rail (Q) and the Mattress Side Rail (R). Insert and screw the 35 mm Screws (H13) into the countersunk holes on each slat. Tighten the screws using a Phillips screwdriver.

Step 9



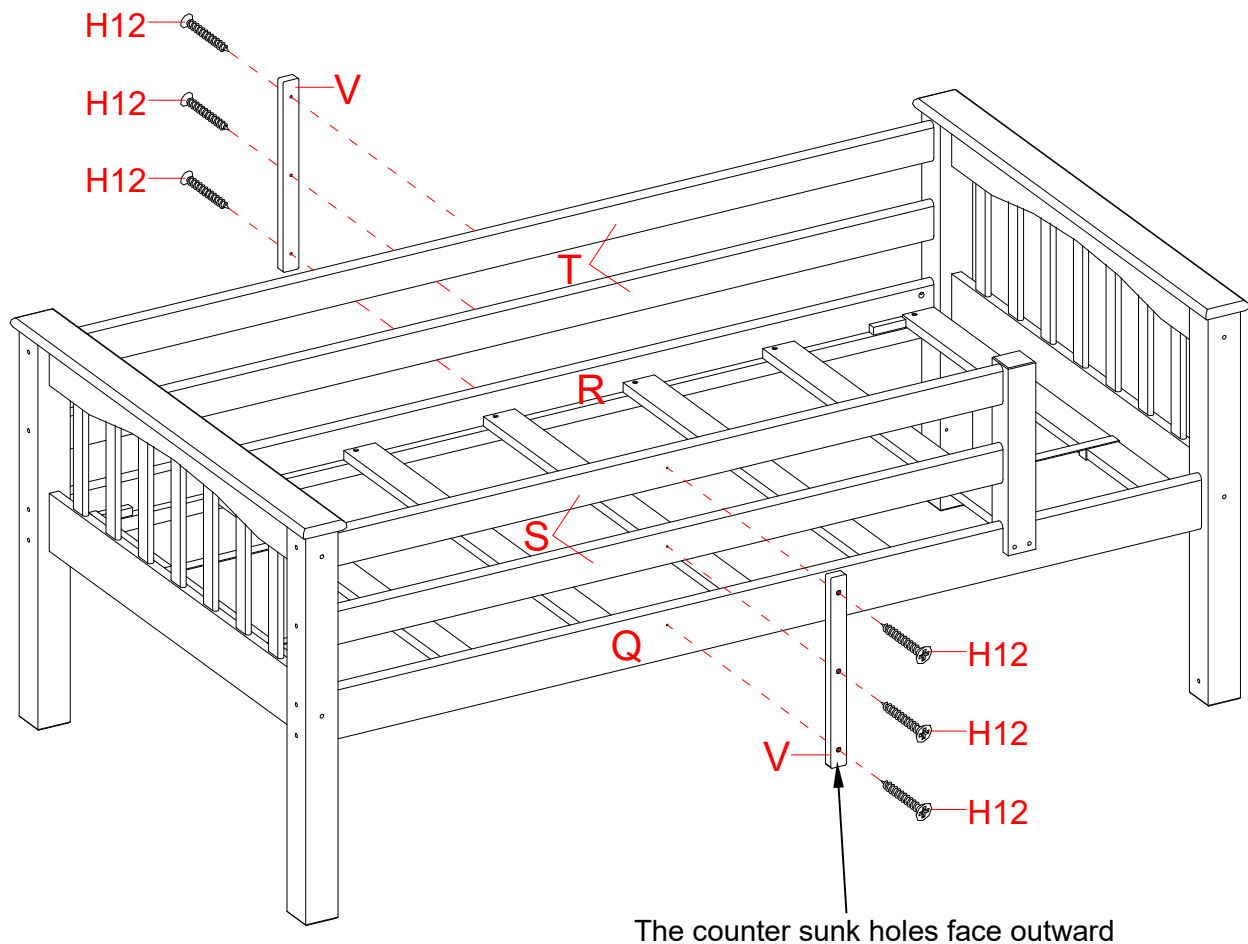
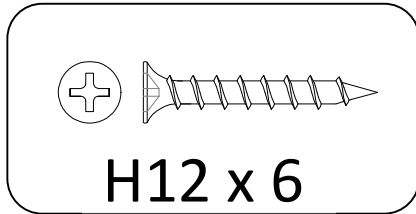
- a) Insert four 50 mm Wood Dowels (H10) into the end large holes of two Short Guardrails (S) as a guide. Attach two Short Guardrails (S) between the Headboard Upper Front Post (E) and Front Guardrail Post (U) with four 100 mm Tapping Bolts (H7).

Step 10



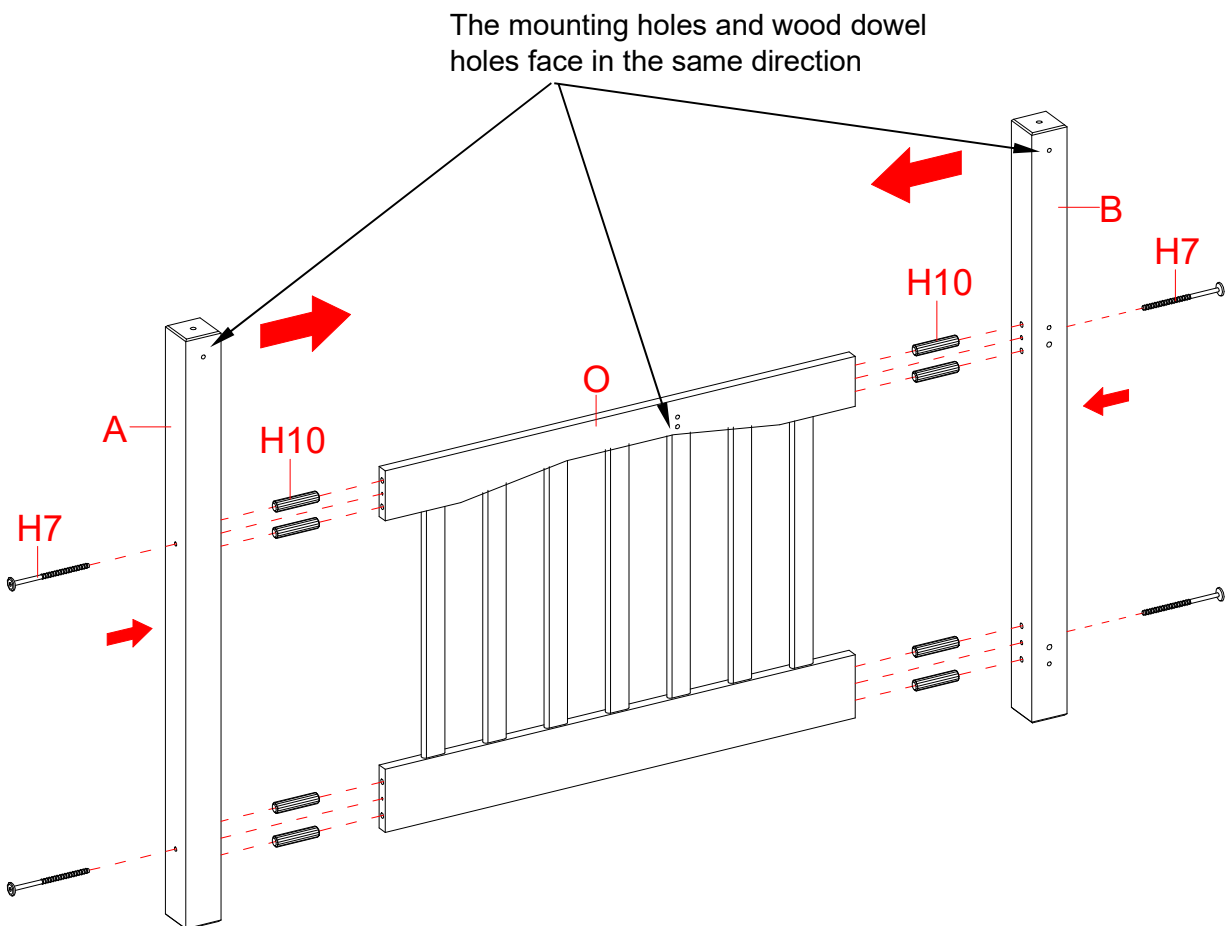
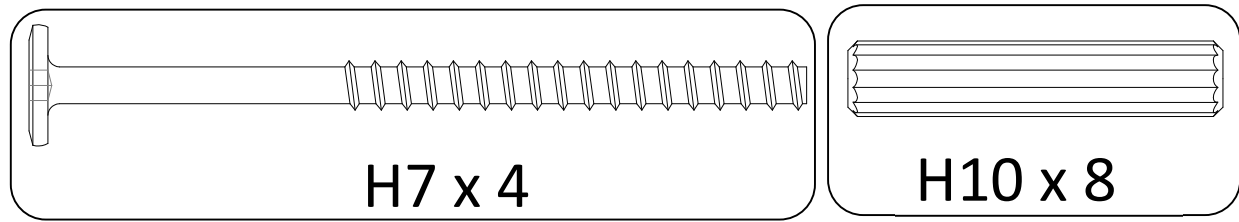
- a) Fasten the Front Guardrail Post (U) to the Ladder Side Rail (Q) with two 38 mm Bolts (H3), using the hex wrench provided.

Step 11



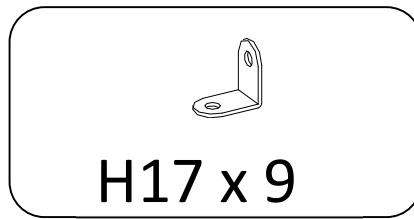
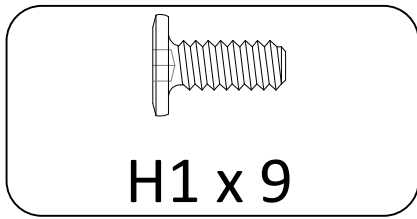
- With the pilot holes as a guide, align and attach one Guardrail Support (V) to the center of the Long Guardrails (T) and Mattress Side Rail (R) by using three 30 mm Screws (H12) through the countersunk holes and screw into place.
- Repeat the same procedure to attach the other Guardrail Support (V) to the Short Guardrails (S) and the Ladder Side Rail (Q).

Step 12

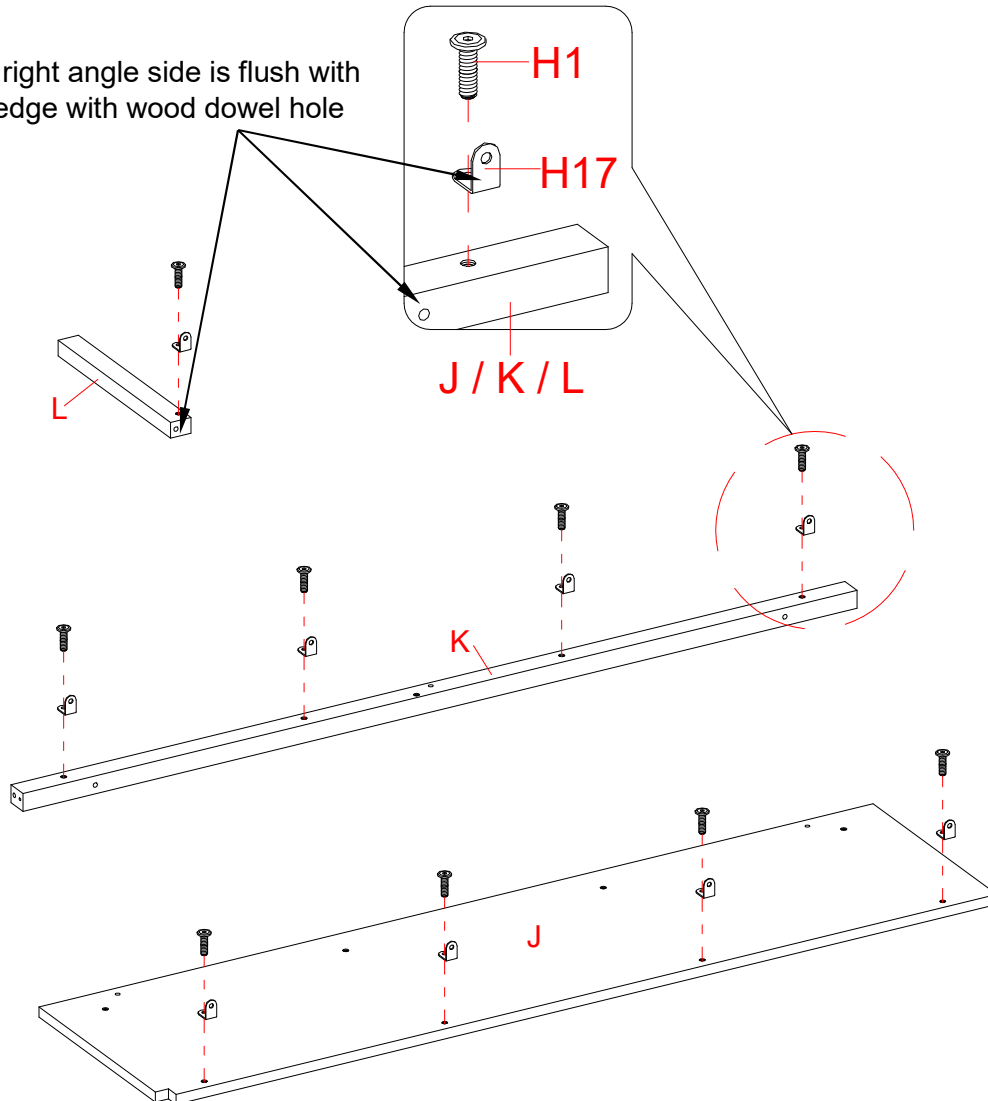


- Insert four 50 mm Wood Dowels (H10) into the end holes on the Lower Cross Assembly (O) and attach it between the Lower Posts (A and B) with four 100 mm Tapping Bolts (H7). Tighten the bolts with the hex wrench provided.

Step 13

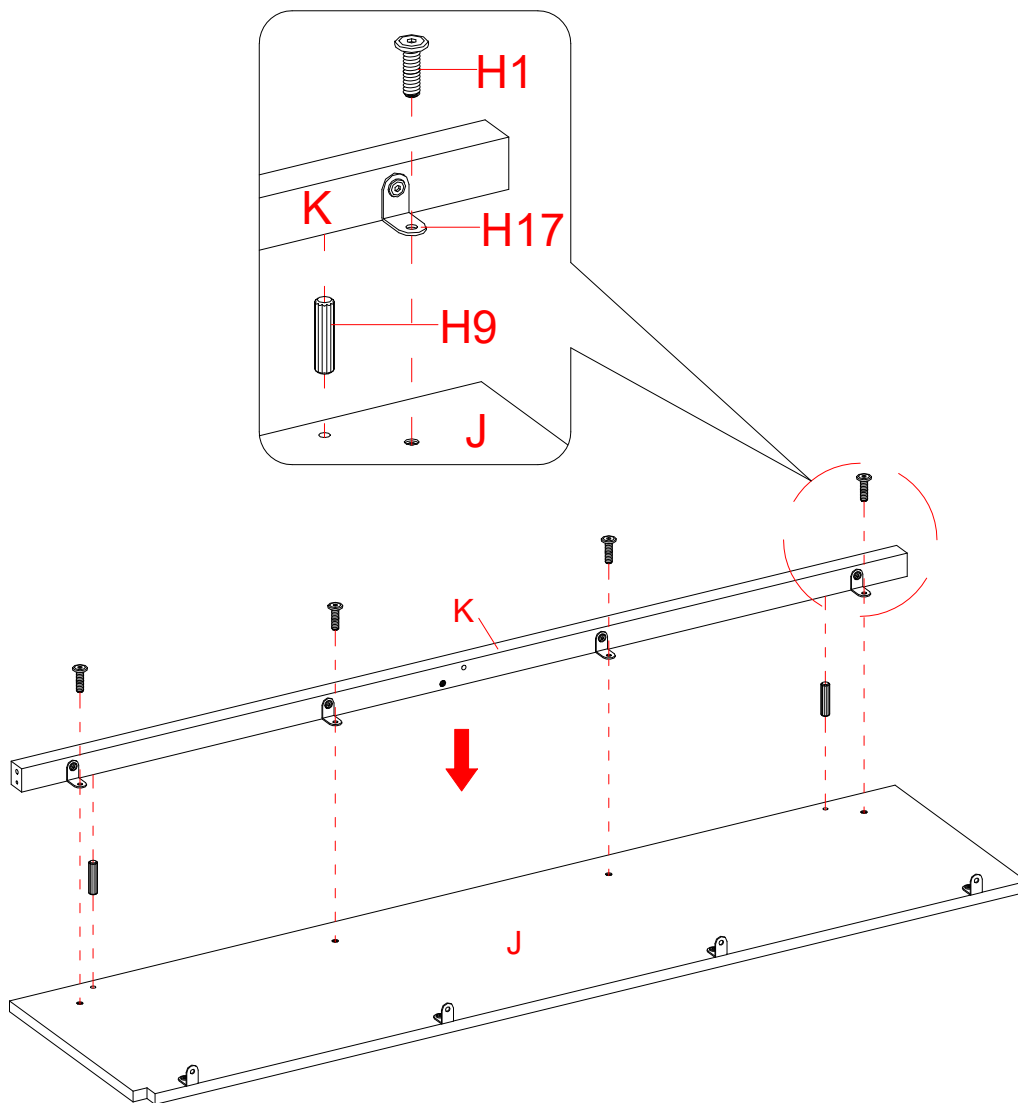
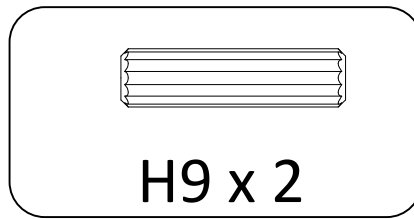
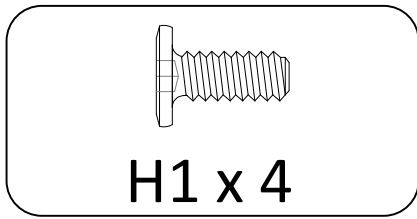


The right angle side is flush with the edge with wood dowel hole



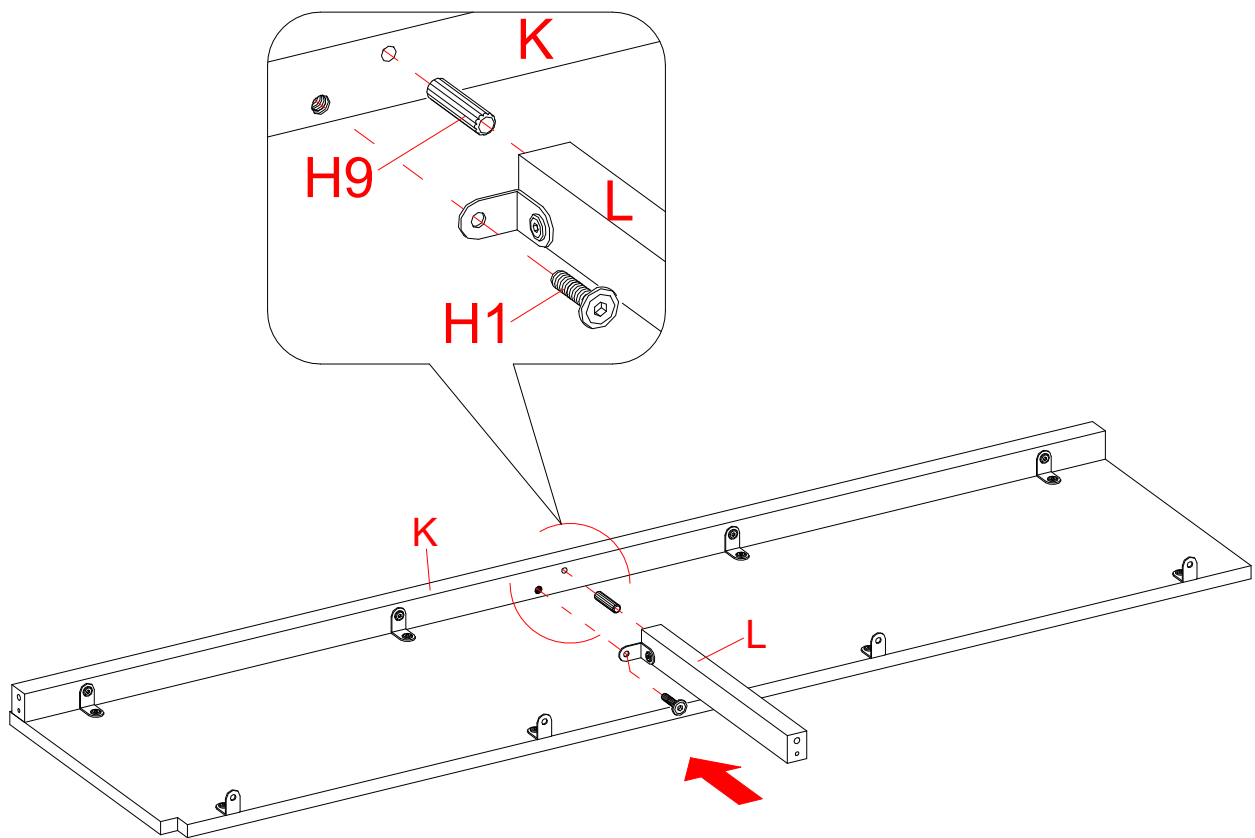
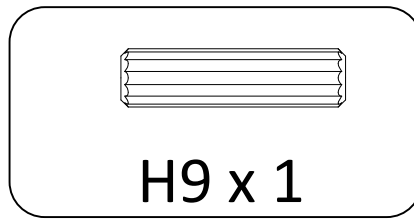
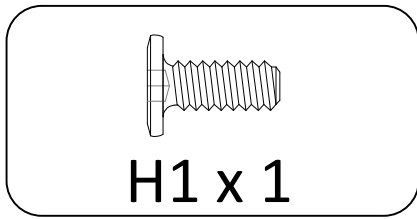
- Orient and attach four L-shaped Brackets (H17) to the Desk Top (J) with four 15mm Bolts (H1). Make sure the right angle side of metal brackets is flush with the back edge with notch.
- Repeat the same procedure to install the remaining L-shaped Brackets (H17) to the Desk Top Front and Middle Stretchers (K and L) as shown above.

Step 14



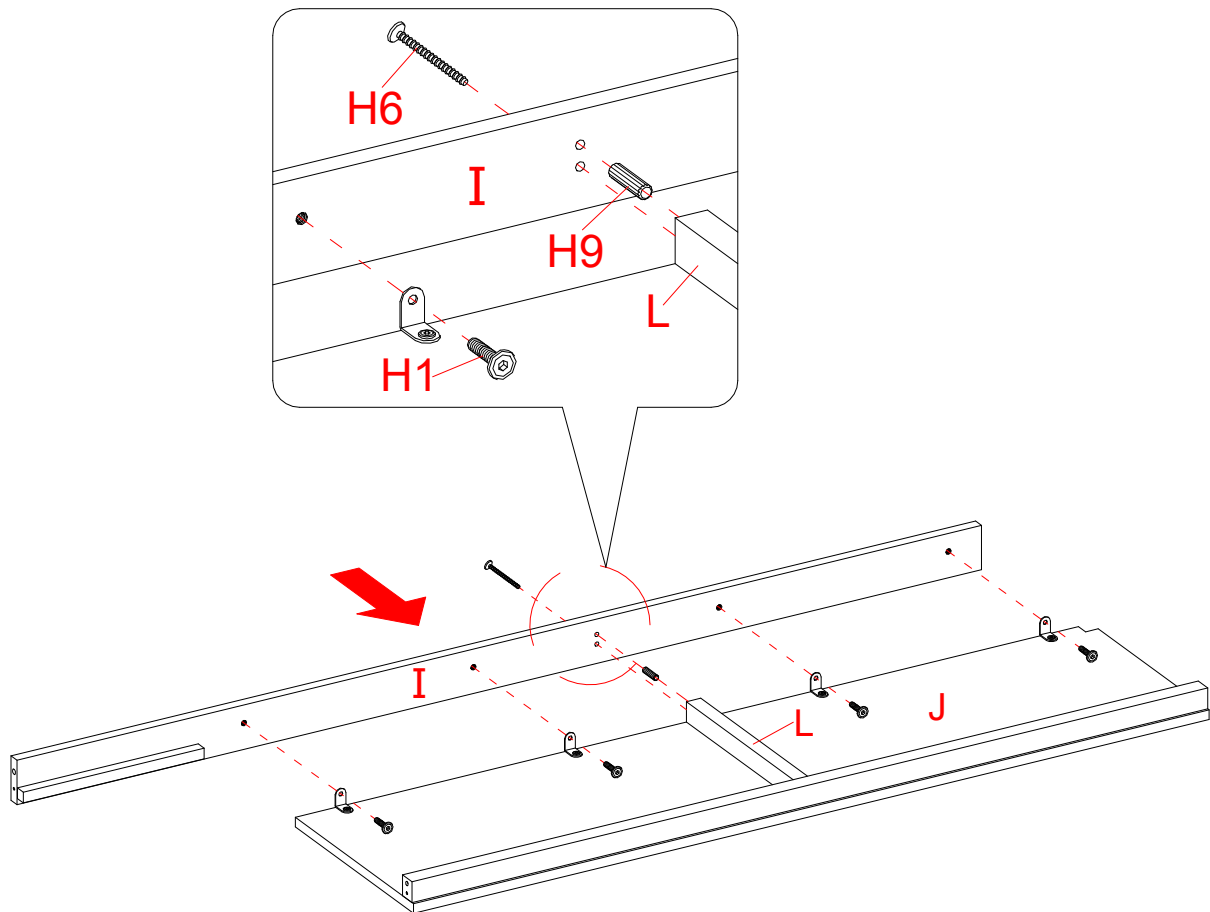
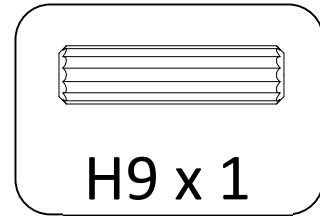
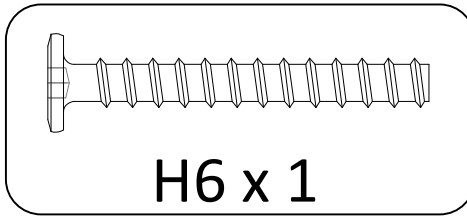
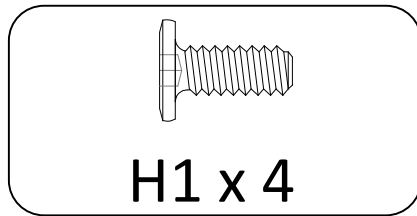
- a) Insert two 30 mm Wood Dowels (H9) into the drilled holes on the Desk Top Front Stretcher (K) and attach it to the Desk Top (J) with four 15 mm Bolts (H1).

Step 15



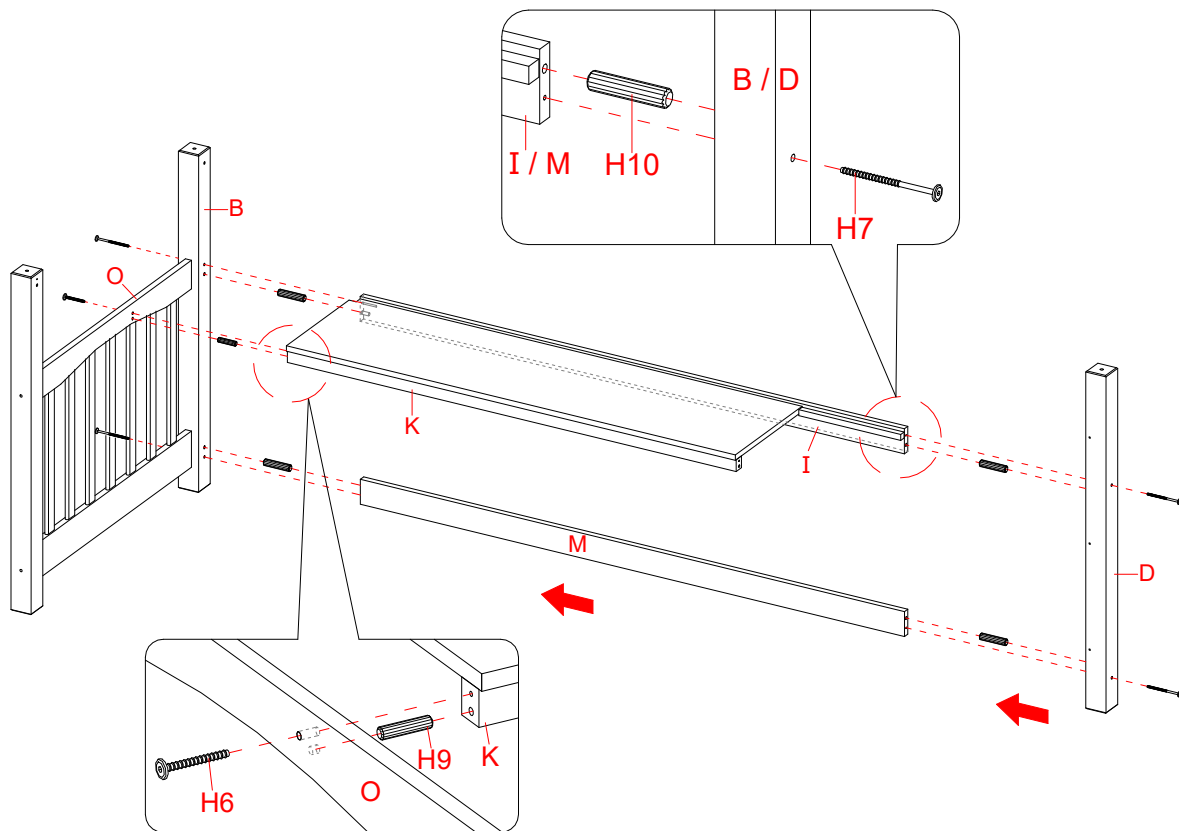
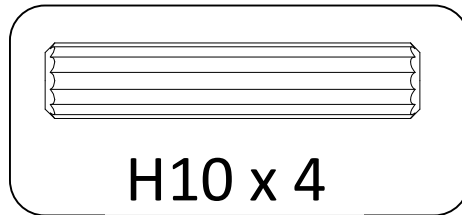
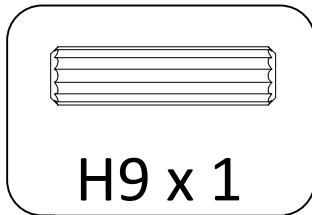
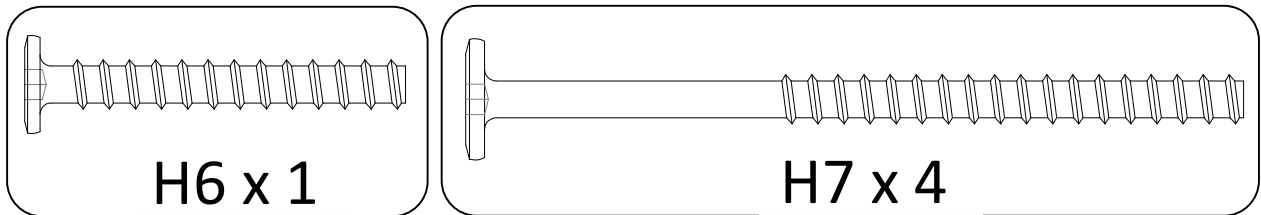
- a) Align and attach the Desk Middle Stretcher (L) to the Desk Top Front Stretcher (K) using one 15 mm Bolt (H1) and one 30 mm Wood Dowel (H9).

Step 16



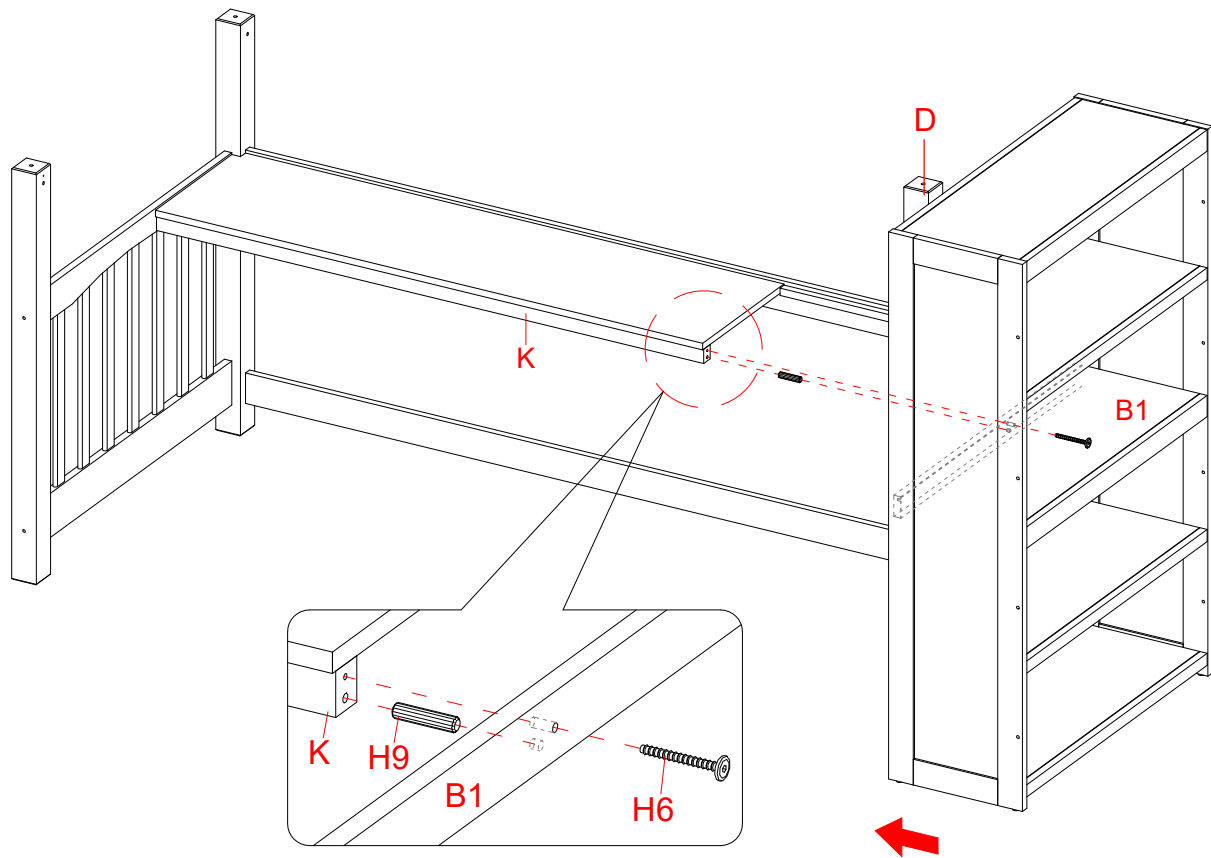
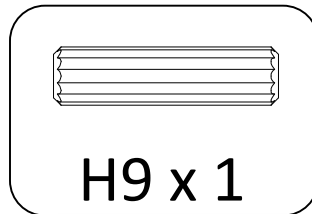
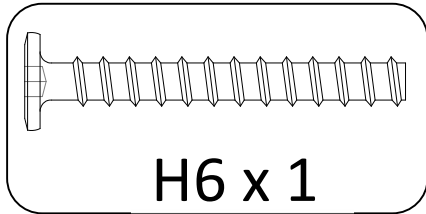
- Align and attach the Middle Back Stretcher (I) to the Desk Middle Stretcher (L) with one 48 mm Tapping Bolt (H6) and one 30 mm Wood Dowel (H9).
- Insert four 15 mm Bolts (H1) through the L-Shaped Bracket (H17) on the Desk Top (J) and screw into the Middle Back Stretcher (I).

Step 17



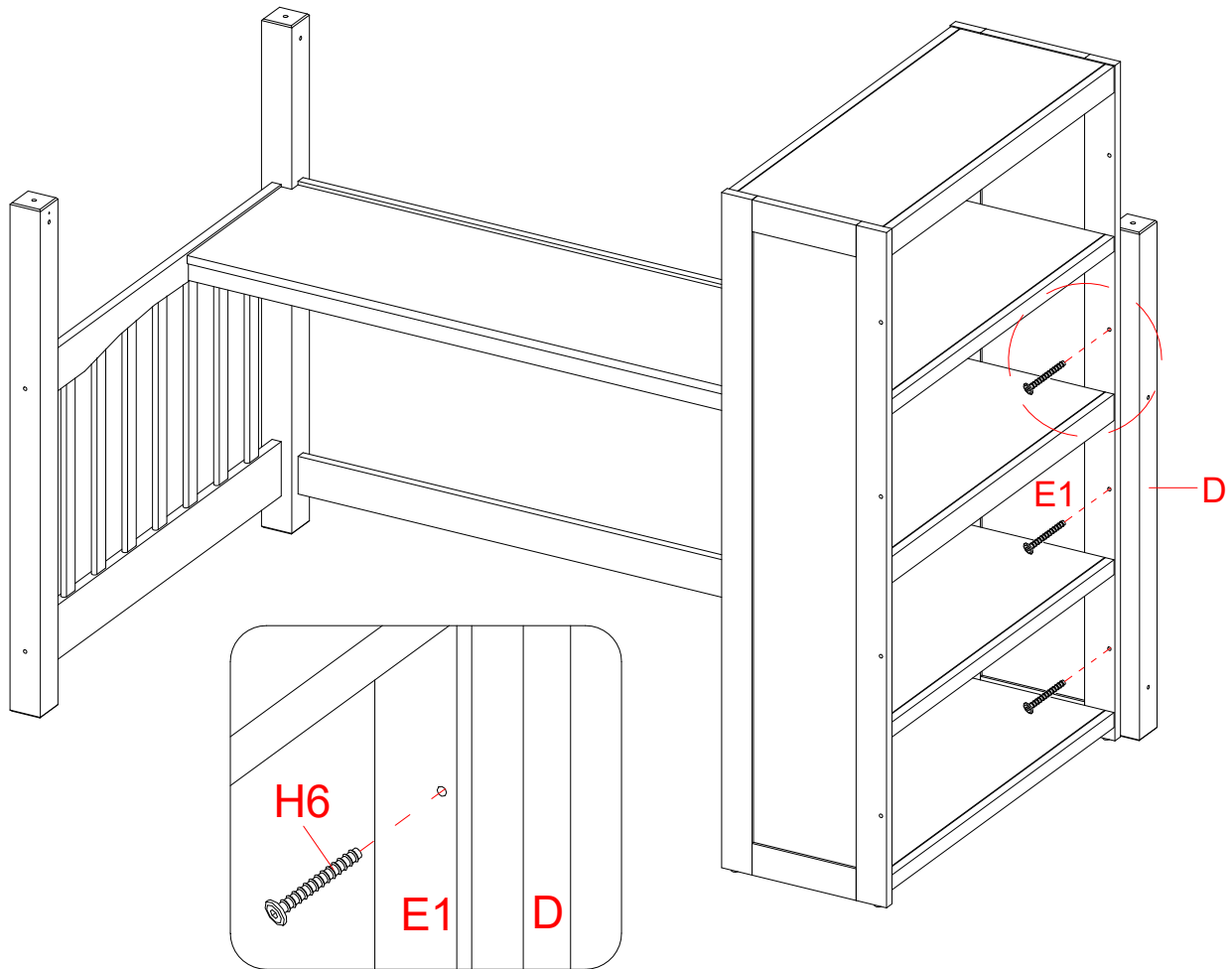
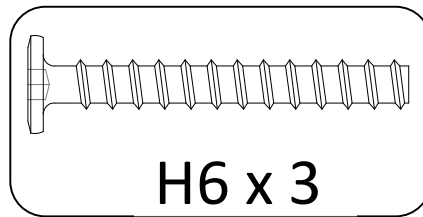
- Insert one 30 mm Wood Dowel (H9) and one 50 mm Wood Dowel (H10) into the end holes of previous assembly and attach them to the assembled lower headboard with one 48 mm Tapping Bolt (H6) and one 100 mm Tapping Bolt (H7).
- Insert one 50 mm Wood Dowel (H10) into end large holes of Lower Back Rail (M) and attach it to the Headboard Lower Back Post (B) with one 100 mm Tapping Bolt (H7).
- Align and attach Footboard Lower Back Post (D) to Middle Back Stretcher (I) and Lower Back Rail (M) with two 50 mm Wood Dowels (H10) and two 100 mm Tapping Bolts (H7)

Step 18



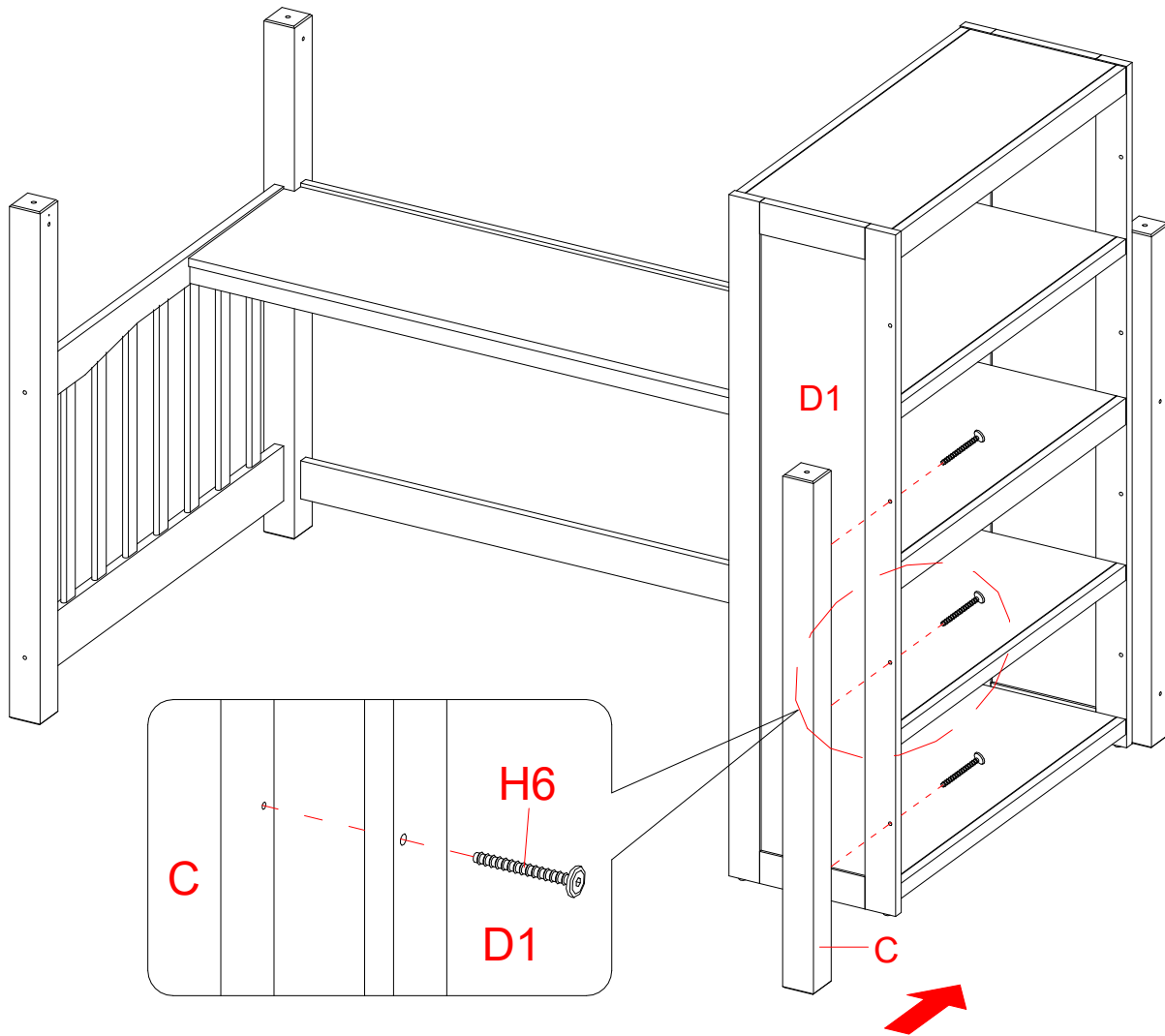
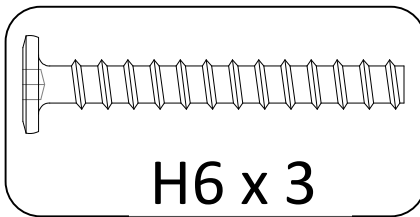
- Insert one 30 mm Wood Dowel (H9) into the end large hole of Desk Top Front Stretcher (K) as a guide.
- Ask for assistance to align the assembled bookcase with Footboard Lower Back Post (D) and Desk Top Front Stretcher (K) properly.
- Insert one 48mm Tapping Bolt (H6) through the mounting hole on Bookcase Middle Shelf (B1) and loosely screw into Desk Top Front Stretcher (K).

Step 19



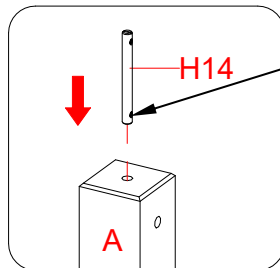
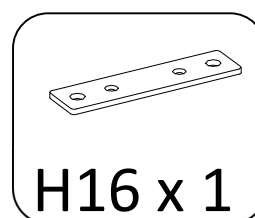
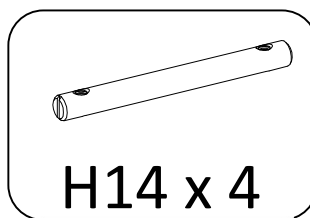
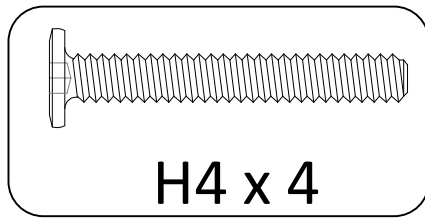
- a) Insert three 48 mm Tapping Bolts (H6) through the pre-drilled holes on the Bookcase Back Panel (E1) and securely screw into the drilled holes on the Footboard Lower Back Post (D).

Step 20

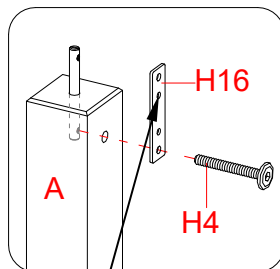
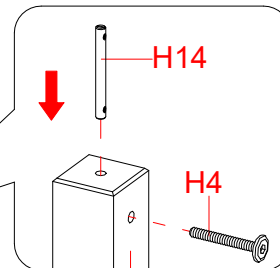


- a) Attach the Footboard Front Post (C) to the Bookcase Front Panel (D1) with three 48 mm Tapping Bolts (H6).

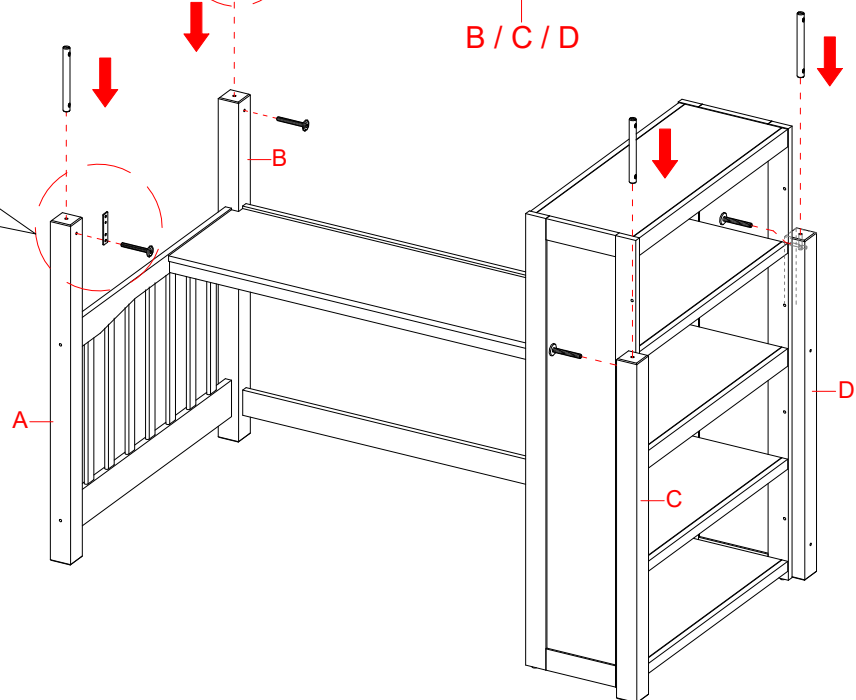
Step 21



Make sure that the threaded holes point towards the entry of the bolt

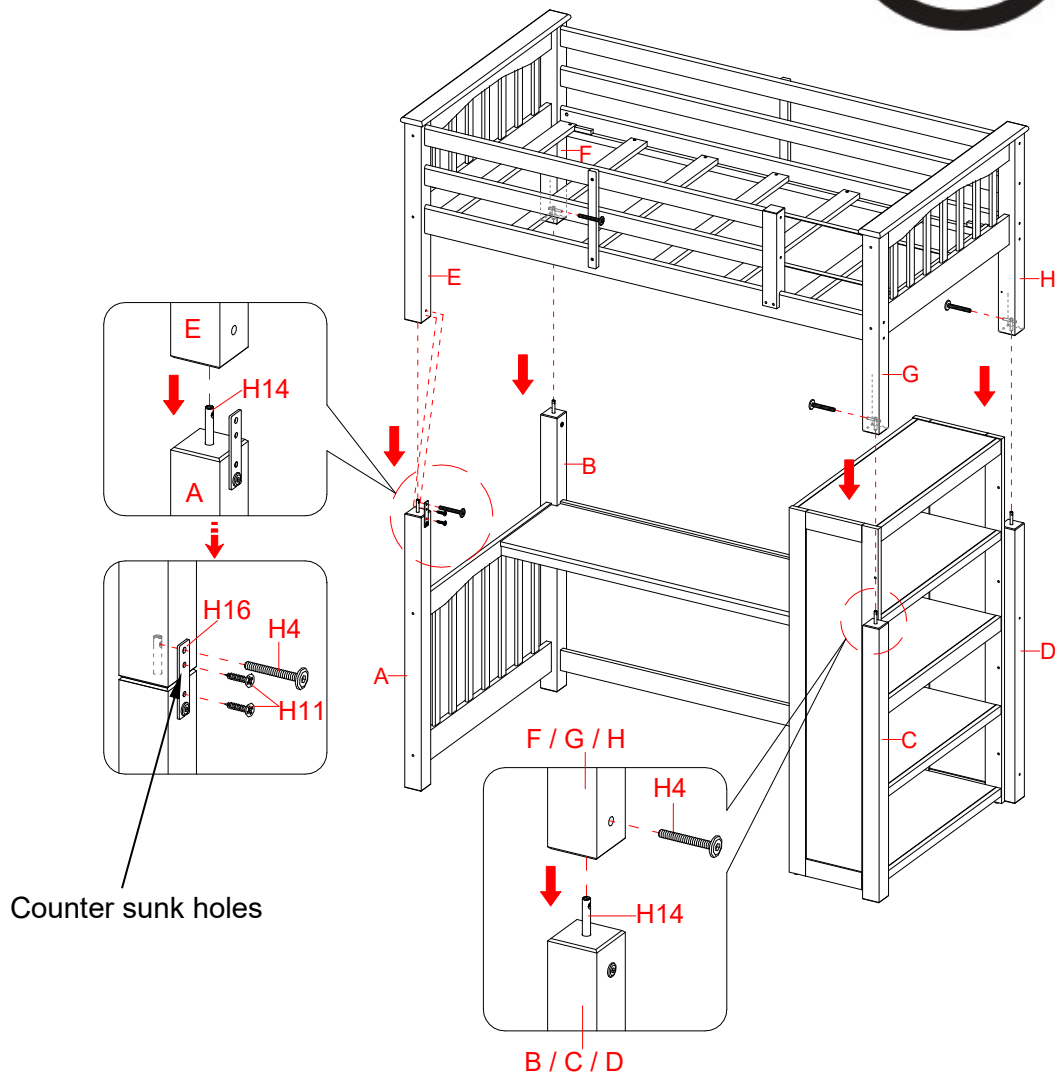
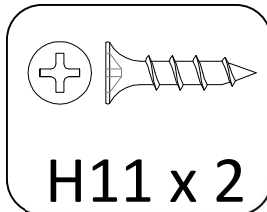
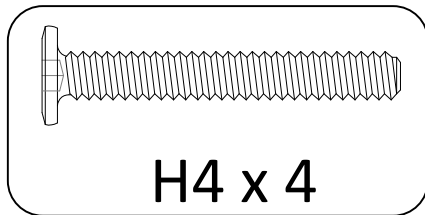


The counter sunk holes face outward



- Insert four Bed Connector Pins (H14) into the Lower Posts (A, B, C and D) and secure them in place with the 45 mm Bolts (H4). When attaching the Connector Pin (H14) to Headboard Lower Front Post (A), you will need to insert one 45 mm Bolt (H4) through the bottom hole of the Metal Bracket (H16) and screw into the threaded hole of Connector Pin.

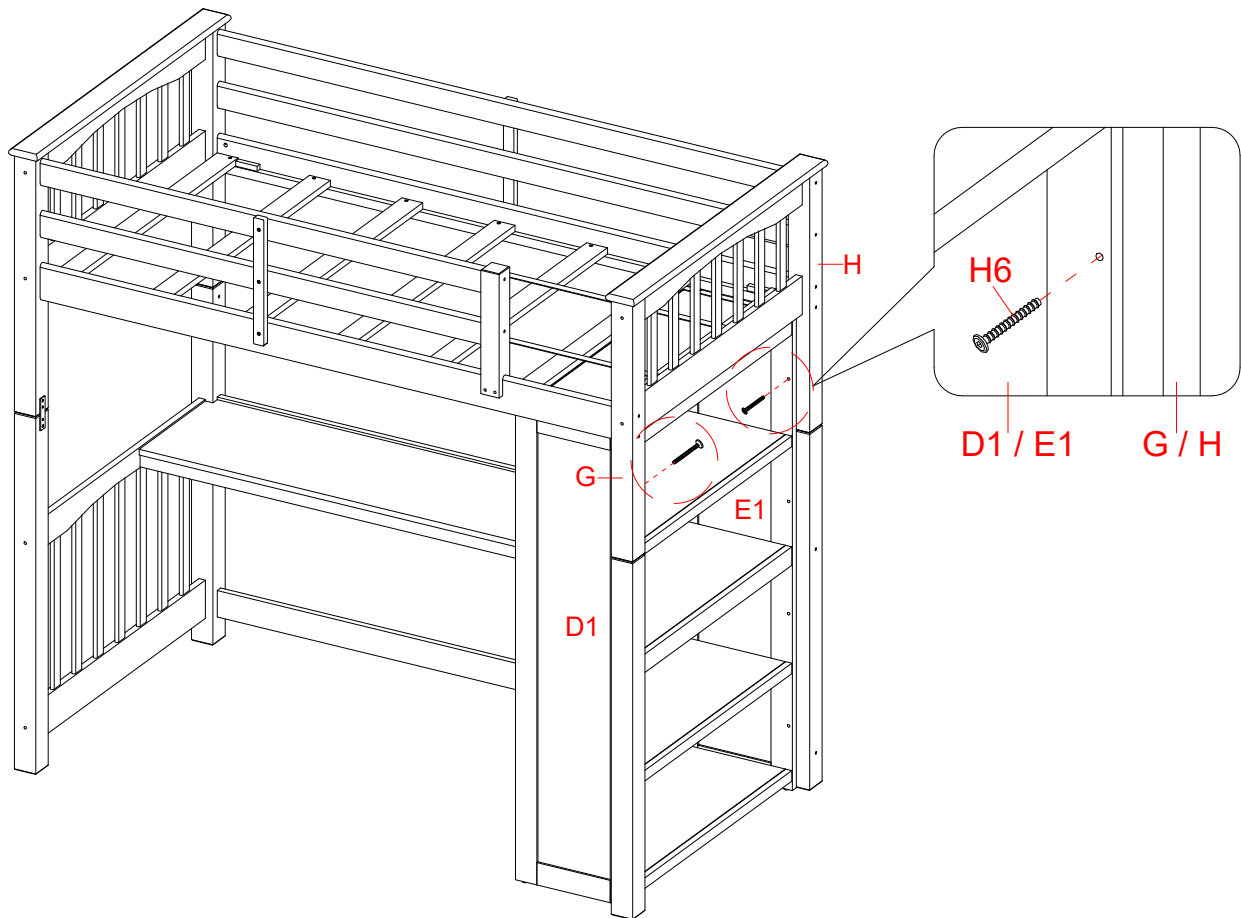
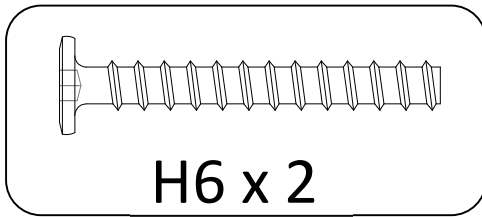
Step 22



- Ask for assistance to stack the Upper Bunk onto the Bed Connector Pins (H14) on the Lower Posts and fasten the Upper Posts (E, F, G and H) in place with four 45 mm Bolts (H4).
- Proceed to insert two 19 mm Screws (H11) through the countersunk holes of Metal Bracket (H16) and securely screw into place.

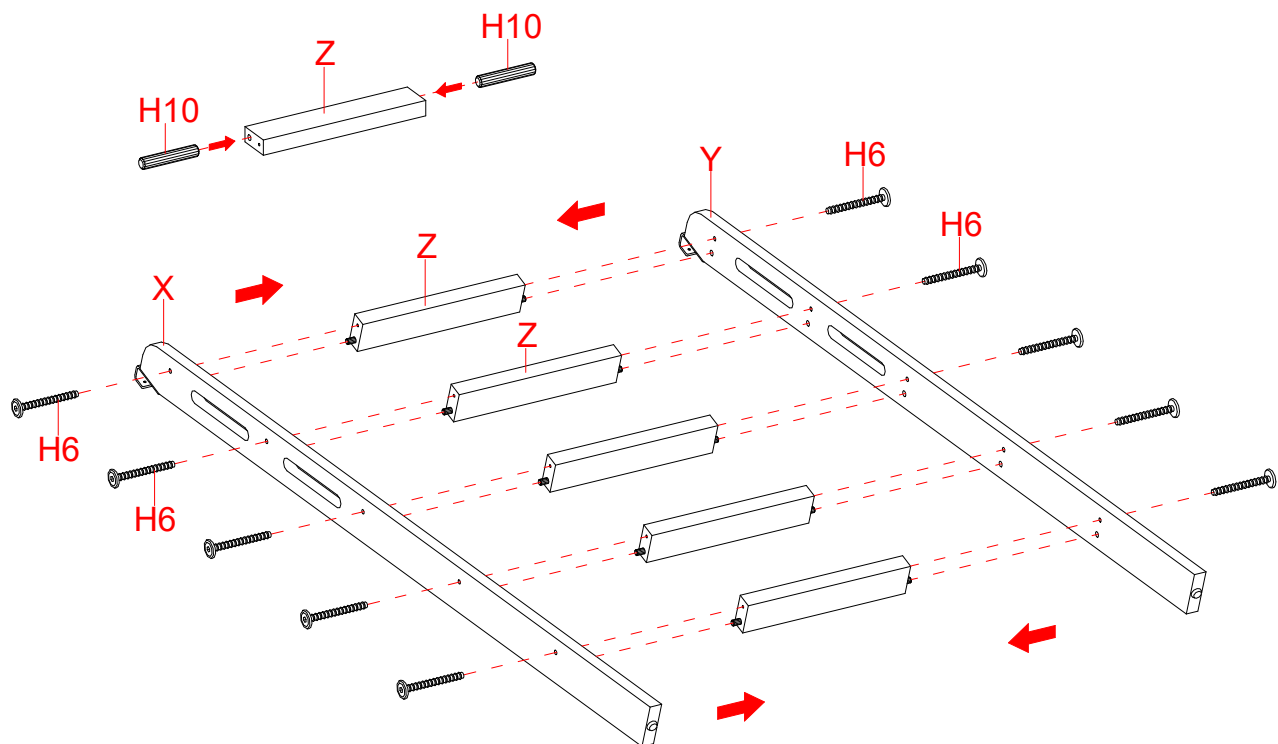
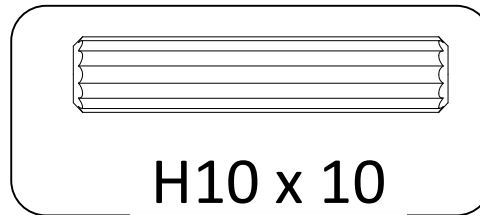
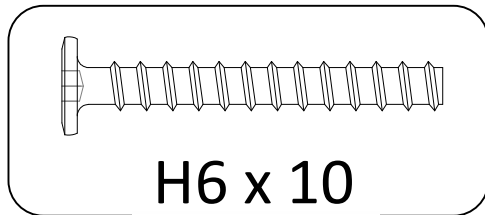
NOTE: Make sure that the Upper Bunk sits completely on top of the posts and the pins go all the way, not leaving any gaps.

Step 23



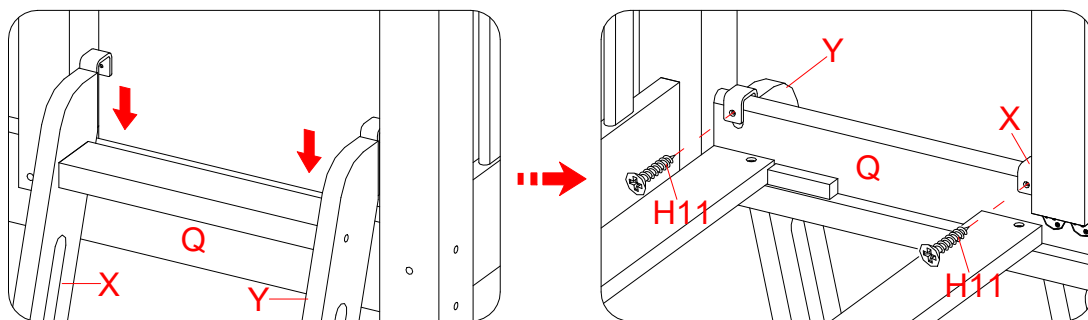
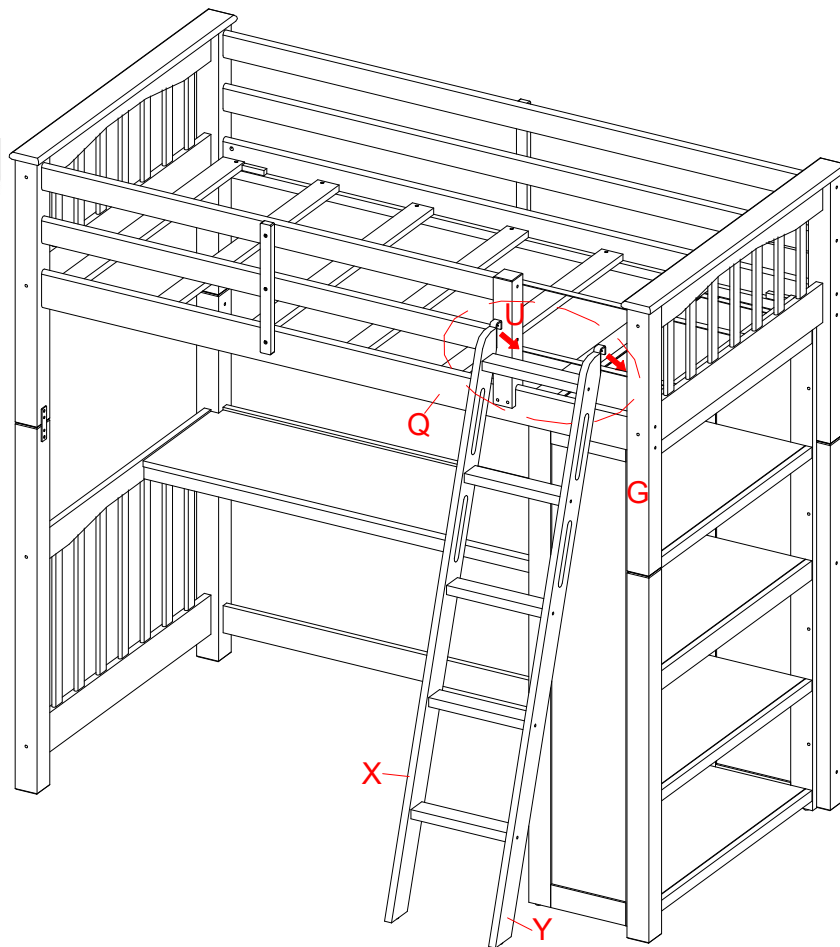
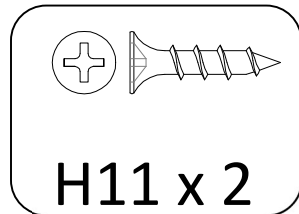
- a) Fasten the Footboard Upper Posts (G and H) to the Bookcase Front and Back Panels (D1 and E1) with two 48 mm Tapping Bolts (H6).

Step 24



- Insert two 50 mm Wood Dowels (H10) into the large holes of each Ladder Step (Z) at both ends.
- Attach Left and Right Ladder Supports (X and Y) to the Ladder Steps (Z) using ten 48 mm Tapping Bolts (H6). Securely tighten the bolts with the hex wrench provided.

Step 25



- a) Hook the Ladder securely over the top of the Ladder Side Rail (Q), between the Upper Footboard Front Post (G) and the Front Guardrail Post (U) in the opening provided. Secure the Ladder Hooks in place by using two 19 mm Screws (H11).

ONLY USE LADDER IN THIS LOCATION AND SECURE WITH 2 SCREWS. PLEASE MAKE SURE YOU INSTALL THE LADDER AGAINST THE FRONT GUARDRAIL POST.

Troubleshooting

Problem	Possible Cause	Prevention / Solution
Bed creak	Bolts are loosen	Check all bolts, screws and brackets periodically and tighten them if necessary

Care & Use Instructions

Care	Do not expose the furniture to direct sunlight, drying heat sources or dampness.
	Use products specifically made for cleaning wood. Use a wood conditioning cleaner that does not contain waxes or silicones (test the product in an invisible location first).
Use	Periodically check to make certain all components are properly positioned, free from damage and firmly connected.
	Check bolts/screws periodically and tighten them if necessary.
	In the event that your furniture is stained or otherwise damaged during use, we recommend that you call a professional to repair your furniture.
	Liquid spills should be removed immediately. Using a soft, clean cloth, blot the spill gently. Avoid rubbing.
	Never use water to clean your furniture as it may cause damage to the finish.
	Using solvents of any kind on your furniture may damage the finish.

Warranty Information

This product component has a (1) year guarantee against defects in material and/or workmanship. If you have any questions regarding the warranty or spare / replacement parts, please call our toll-free number **1-866-942-5362** or email us at **parts@whalenfurniture.com**

NOTE: Please consider recycling all applicable packaging material.

Whalen Furniture Manufacturing
1578 Air Wing Road, San Diego, CA 92154, USA
8:30 a.m. - 4:30 p.m., PST, Monday to Friday
www.whalenstyle.com

Instrucciones de ensamble & manual del usuario

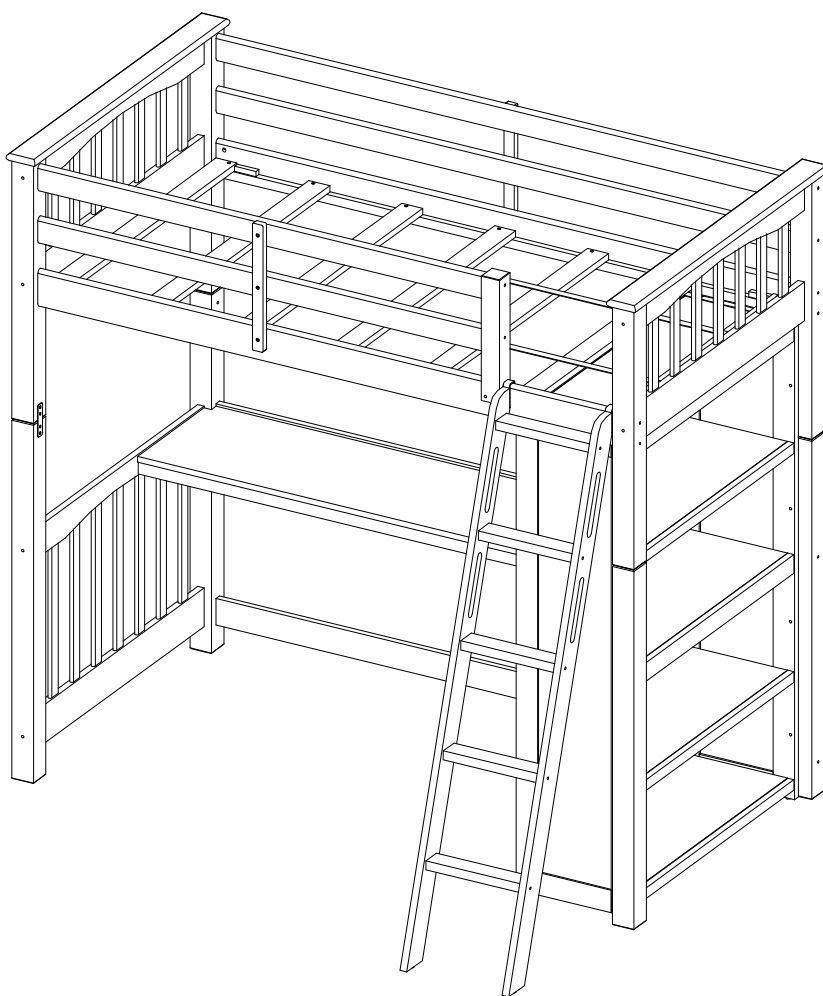
para

Cama Litera Individual con escritorio **Maxson**

Número del modelo: SMTLBWDSK / SMTLBWDSK-E

Asistencia al cliente (partes extras/de repuesto): 1-866-942-5362


or Email: parts@whalenfurniture.com



NÚMERO DE LOTE: _____ FECHA DE COMPRA: ___/___/_____

ESTÉ INSTRUCTIVO CONTIENE INFORMACIÓN DE SEGURIDAD **IMPORTANTE**
POR FAVOR LEA Y MANTENGA PARA USO FUTURO.

Tabla de contenidos

Declaración de calidad.....	3
Información de seguridad importante	3
Antes del ensamble	3
Cuidado & uso.....	3
 ADVERTENCIA.....	4
Información del producto.....	4
Contenidos del paquete.....	6
Componentes	7
Material de ferretería.....	10
Herramientas	10
Ensamble.....	11
Solución de problemas	36
Instrucciones de cuidado & uso.....	36
Información de garantía.....	36

Declaración de calidad

Preguntas o Comentarios?

Nos gustaría escuchar sobre su experiencia! Visitenos en:
www.whalenstyle.com

Información de seguridad importante

- *Por favor lea todas las instrucciones antes de ensamblar el mueble.*
- *Donde se pueda, y por su seguridad, se recomienda el ensamble por un adulto.*
- *Use solo ferretería suplida por el vendedor para ensamblar la unidad. El uso de ferretería no autorizada podría poner en riesgo la integridad estructural de la unidad.*
- *La ferretería se podría aflojar con el tiempo. Revisar periódicamente que las conexiones estén apretadas.*

Antes del ensamble

- *Retirar todas las partes y ferretería de la caja. Poner todo sobre una alfombra o en un are libre de rasguños, para evitar danos a las partes durante el ensamble.*
- *La caja de envío provee una superficie ideal de trabajo.*
- *Usar las listas de partes y ferretería para identificar y separar cada una de las piezas incluidas.*
- *Para evitar el desecho accidental de partes o ferretería pequeñas, no tire ningún paquete o contenidos del paquete hasta terminar el ensamble.*
- *El uso de herramientas eléctricas **NO** está recomendada, a menos que se especifique. Estas herramientas pueden dañar la ferretería o la madera.*
- *No apretar completamente los pernos/sujetadores hasta que las partes estén en su lugar. La falla de seguir estas instrucciones puede causar que los pernos/sujetadores se desalineen durante el ensamble.*

Cuidado & uso

- *Use una toalla suave y limpia para evitar daños y rayaduras.*
- *Uso de cera para pulir muebles no es necesario. Si desea usar cera cheque en un área que no sea visible para verificar su funcionamiento.*
- *Usar solventes de cualquier tipo puede dañar el terminado del mueble.*
- *Nunca use agua para limpiar la unidad, ya que le puede dañar el acabado.*
- *Líquidos derramados deben limpiarse inmediatamente, con una toalla suave evitando tallar.*
- *No poner el mueble en luz solar directa.*

ADVERTENCIA

SIEMPRE USE LOS RIELES DE SEGURIDAD EN AMBOS LADOS LARGOS DE LA LITERA SUPERIOR. SI LA LITERA SE PONE AL LADO DE LA PARED, EL RIEL DE SEGURIDAD QUE CORRE LA LONGITUD DE LA CAMA DEBE PONERSE CONTRA LA PARED PARA PREVENIR QUE SE ATASCAMIENTO ENTRE LA CAMA Y LA PARED.

PELIGRO DE ESTRANGULACIÓN – Nunca coloque ni cuelgue cosas en alguna parte de la litera que no estén diseñadas para usarse con la misma; por ejemplo, de manera enunciativa, pero no limitativa, ganchos, cinturones o cuerdas para brincar.

Se prohíbe mas de una persona en la litera superior.

El grosor máximo del colchón no debe exceder 9 pulgadas (22,86 cm). La superficie del colchón debe estar, por lo menos, 5 pulgadas (12,70 cm) debajo de los barandales del borde superior.

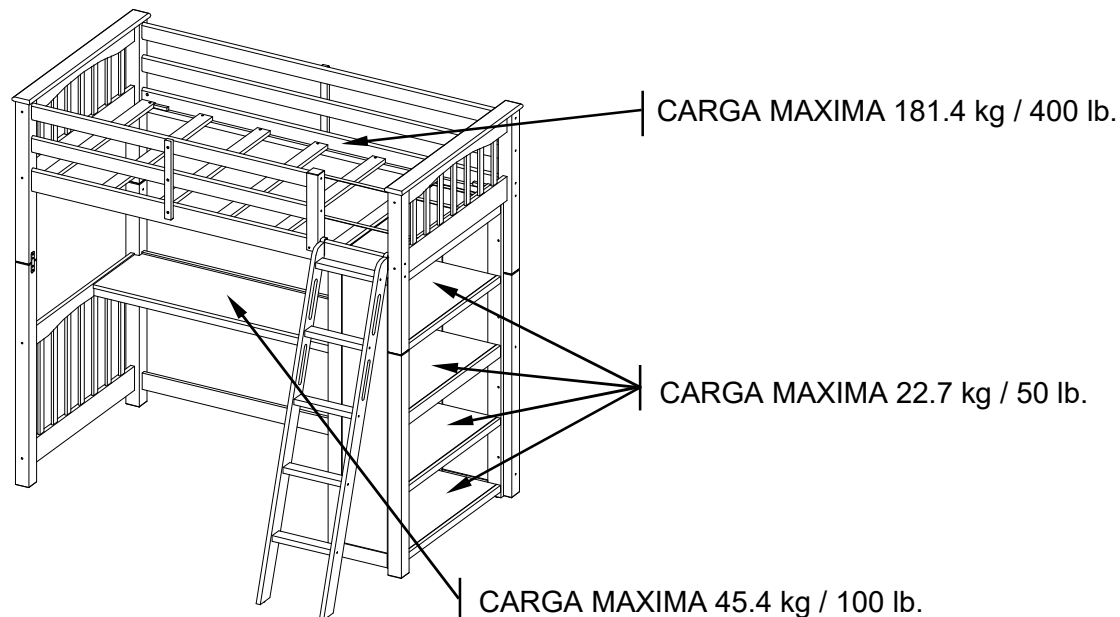
Utilice sólo colchón, que es de 74 pulgadas (1,88 m) a 75 pulgadas (1,90 m) de largo y 37 ½ pulgadas (95,25 cm) a 38½ pulgadas (97,79 cm) de ancho en la cama superior.

Partes de repuesto, incluyendo rieles de seguridad adicionales, se pueden obtener de cualquiera de nuestros proveedores.

Información del producto

Dimensiones – **80.625" W x 64.875" D x 77.125" H (204.8cm W x 164.7cm D x 195.8cm H)**

Capacidad de peso



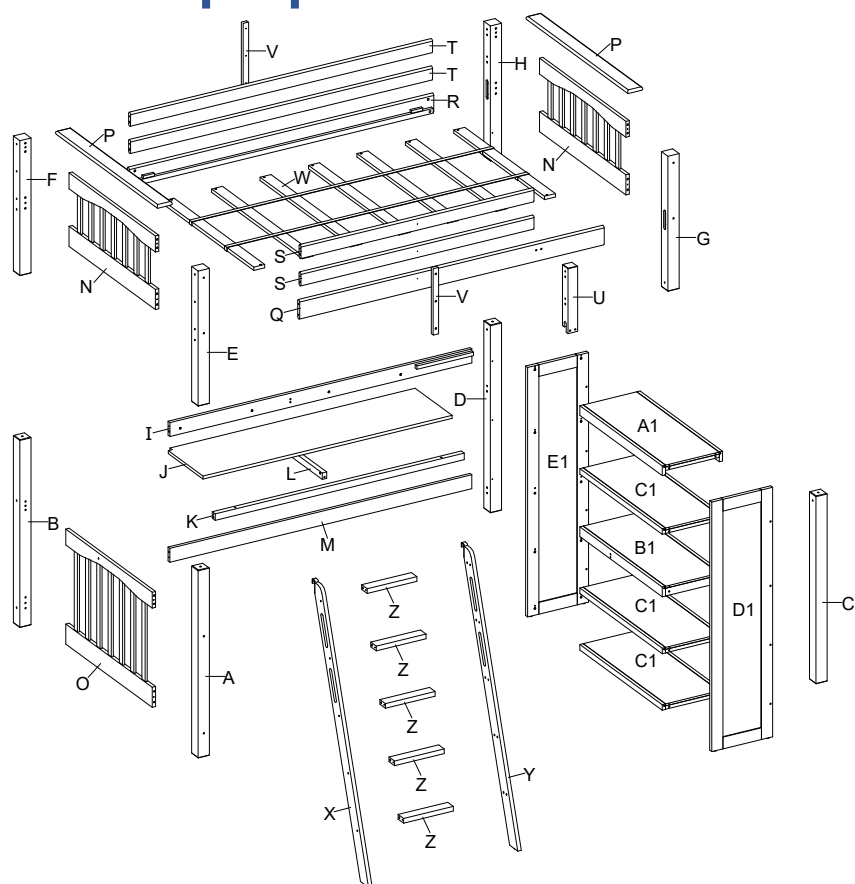
ADVERTENCIA

ESTA UNIDAD DEBE UTILIZARSE DENTRO DE LOS PESOS MÁXIMOS INDICADOS. SI SE EXCEDE EL PESO MÁXIMO, PODRÍA RESULTAR EN UNA INESTABILIDAD DE LA UNIDAD CAUSANDO POSIBLES LESIONES.

PARA AYUDAR A PREVENIR LESIONES GRAVES O MORTALES POR ENCIERROS O CAÍDAS

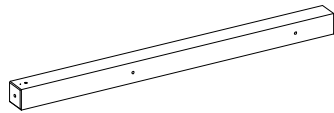
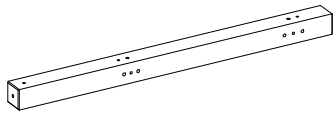
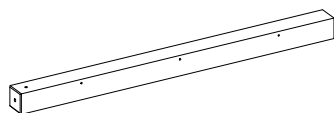
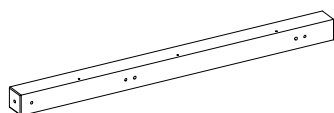
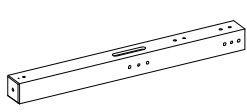
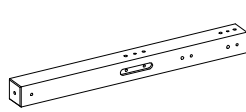
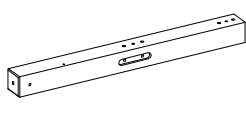
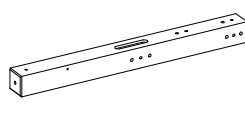
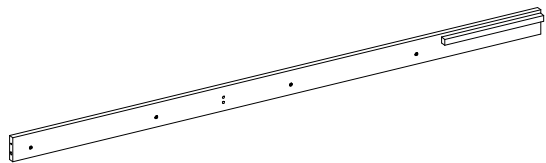
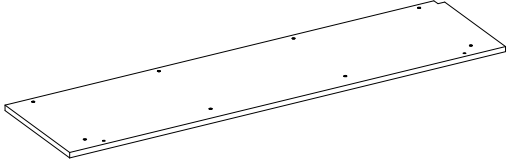
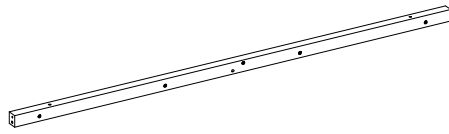
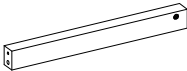
- Siga la información de advertencia que aparece en la estructura extrema de la litera superior y en la caja. No quite la etiqueta de advertencia de la cama.
- Use siempre el tamaño adecuado de soporte para el colchón para ayudar a prevenir la posibilidad de encierro o caídas.
- La superficie del colchón debe ser de, por lo menos, 5 pulgadas (12,70 cm) abajo de los barandales del borde superior.
- Nunca permita que un niño menor de 6 años de edad duerma en la litera superior.
- De manera periódica, revise y asegúrese de que el barandal, la escalera y otros Componentes estén en su posición correcta, libres de daños y que todos los conectores estén apretados.
- No permita que los niños jueguen al caballito arriba o abajo de la cama y prohíbales brincar sobre la misma.
- Siempre utilice la escalera para entrar y salir de la litera superior.
- No use partes sustitutas. Contacte al productor o distribuidor para obtener repuestos.
- El uso de una lámpara de noche puede proveer mayor precaución de seguridad para el niño que utilice la litera superior.
- Utilice siempre los barandales en ambos lados longitudinales de la litera superior. Si va a colocar las literas pegadas a la pared, el barandal que corre a lo largo de la cama se debe colocar contra la pared para prevenir encierros entre la cama y la pared.
- No utilice colchones de agua o de flotación.
- PELIGRO DE ESTRANGULACIÓN – Nunca coloque ni cuelgue cosas en alguna parte de la litera que no estén diseñadas para usarse con la misma; por ejemplo, de manera enunciativa, pero no limitativa, ganchos, cinturones o cuerdas para brincar.
- Por seguridad solo una persona debe utilizar la litera superior.
- Conserve estas instrucciones para referencias en el futuro.

Contenidos del paquete

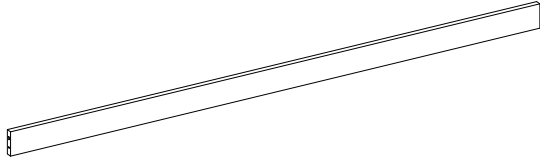
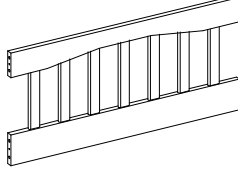
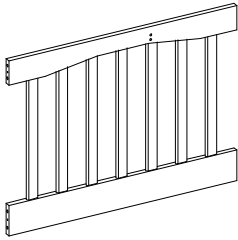
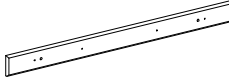
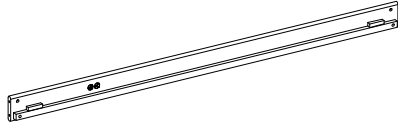
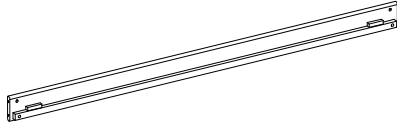
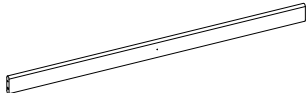
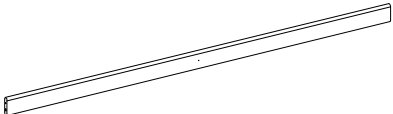
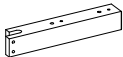



Componente	Descripción	Cant.	Componente	Descripción	Cant.
A	Poste frontal de la cabecera inf.	1	Q	Riel lateral de la escalera	1
B	Poste pos. de la cabecera inf.	1	R	Riel lateral del colchón	1
C	Poste frontal del piecero inf.	1	S	Riel de seguridad chico	2
D	Poste pos. del piecero inf.	1	T	Riel de seguridad largo	2
E	Poste frontal de la cabecera sup.	1	U	Poste frontal del riel de seguridad	1
F	Poste pos. de la cabecera sup.	1	V	Soporte del riel de seguridad	2
G	Poste frontal del piecero sup.	1	W	Tablillas de soporte del colchón	1
H	Poste pos. del piecero sup.	1	X	Soporte izq. de la escalera	1
I	Soporte medio posterior	1	Y	Soporte der. de la escalera	1
J	Tapa del escritorio	1	Z	Escalón	5
K	Soporte frontal de la tapa del escritorio	1	A1	Tapa del librero	1
L	Soporte medio del escritorio	1	B1	Repisa media del librero	1
M	Riel inferior posterior	1	C1	Repisa sup. / inf. del librero	3
N	Ensamble de soporte sup.	2	D1	Panel frontal del librero	1
O	Ensamble de soporte inf.	1	E1	Panel pos. del librero	1
P	Riel tope	2			

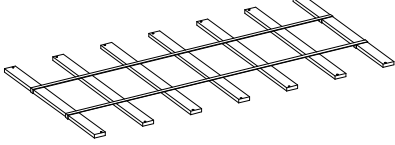
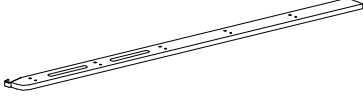
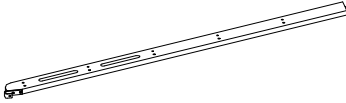

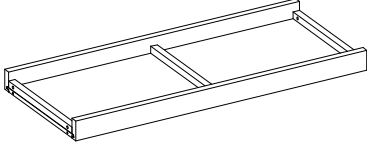
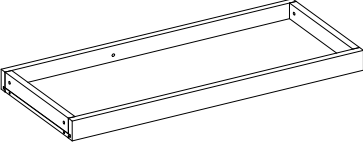
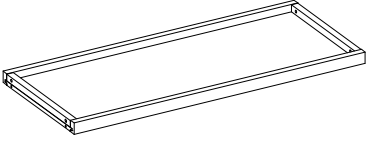
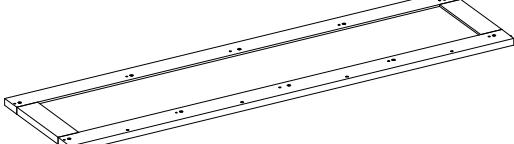
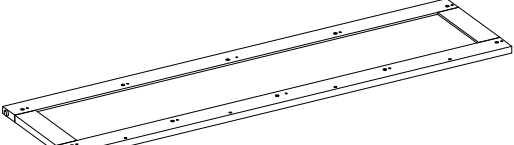
Componentes

<p>Componente A # de parte 00SMTLBWDSK-A Cant. 1</p>	<p>Componente B # de parte 00SMTLBWDSK-B Cant. 1</p>
	
<p>Componente C # de parte 00SMTLBWDSK-C Cant. 1</p>	<p>Componente D # de parte 00SMTLBWDSK-D Cant. 1</p>
	
<p>Componente E # de parte 00SMTLBWDSK-E Cant. 1</p>	<p>Componente F # de parte 00SMTLBWDSK-F Cant. 1</p>
	
<p>Componente G # de parte 00SMTLBWDSK-G Cant. 1</p>	<p>Componente H # de parte 00SMTLBWDSK-H Cant. 1</p>
	
<p>Componente I # de parte 00SMTLBWDSK-I Cant. 1</p>	<p>Componente J # de parte 00SMTLBWDSK-J Cant. 1</p>
	
<p>Componente K # de parte 00SMTLBWDSK -K Cant. 1</p>	<p>Componente L # de parte 00SMTLBWDSK-L Cant. 1</p>
	

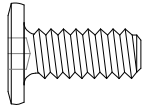
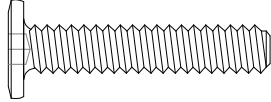
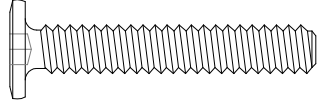
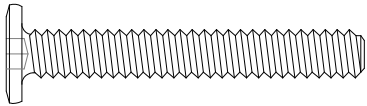
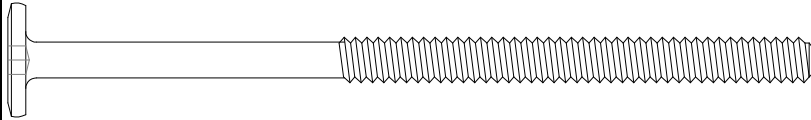
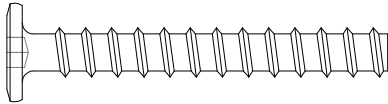
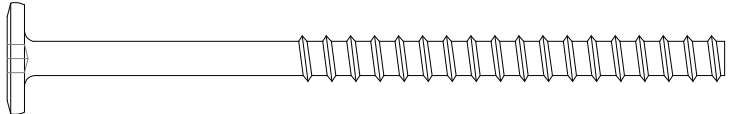

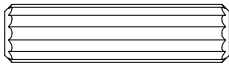
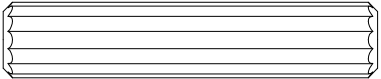
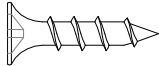
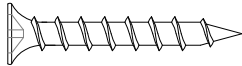
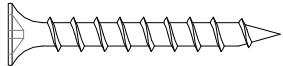
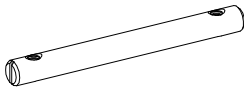
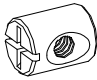
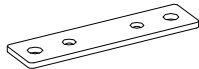

Componentes continuación

<p>Componente M # de parte 00SMTLBWDSK-M Cant. 1</p>	<p>Componente N # de parte 00SMTLBWDSK-N Cant. 2</p>
	
<p>Componente O # de parte 00SMTLBWDSK-O Cant. 1</p>	<p>Componente P # de parte 00SMTLBWDSK-P Cant. 2</p>
	
<p>Componente Q # de parte 00SMTLBWDSK -Q Cant. 1</p>	<p>Componente R # de parte 00SMTLBWDSK-R Cant. 1</p>
	
<p>Componente S # de parte 00SMTLBWDSK-S Cant. 2</p>	<p>Componente T # de parte 00SMTLBWDSK-T Cant. 2</p>
	
<p>Componente U # de parte 00SMTLBWDSK-U Cant. 1</p>	<p>Componente V # de parte 00SMTLBWDSK-V Cant. 2</p>
	


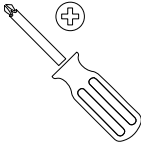
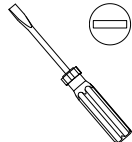
Componentes continuación

<p>Componente W # de parte 00SMTLBWDSK-W Cant. 1</p>	<p>Componente X # de parte 00SMTLBWDSK-X Cant. 1</p>
	
<p>Componente Y # de parte 00SMTLBWDSK-Y Cant. 1</p>	<p>Componente Z # de parte 00SMTLBWDSK-Z Cant. 5</p>
	
<p>Componente A1 # de parte 00SMTLBWDSK-A1 Cant. 1</p>	<p>Componente B1 # de parte 00SMTLBWDSK-B1 Cant. 1</p>
	
<p>Componente C1 # de parte 00SMTLBWDSK-C1 Cant. 3</p>	<p>Componente D1 # de parte 00SMTLBWDSK-D1 Cant. 1</p>
	
<p>Componente E1 # de parte 00SMTLBWDSK-E1 Cant. 1</p>	
	

Material de ferretería

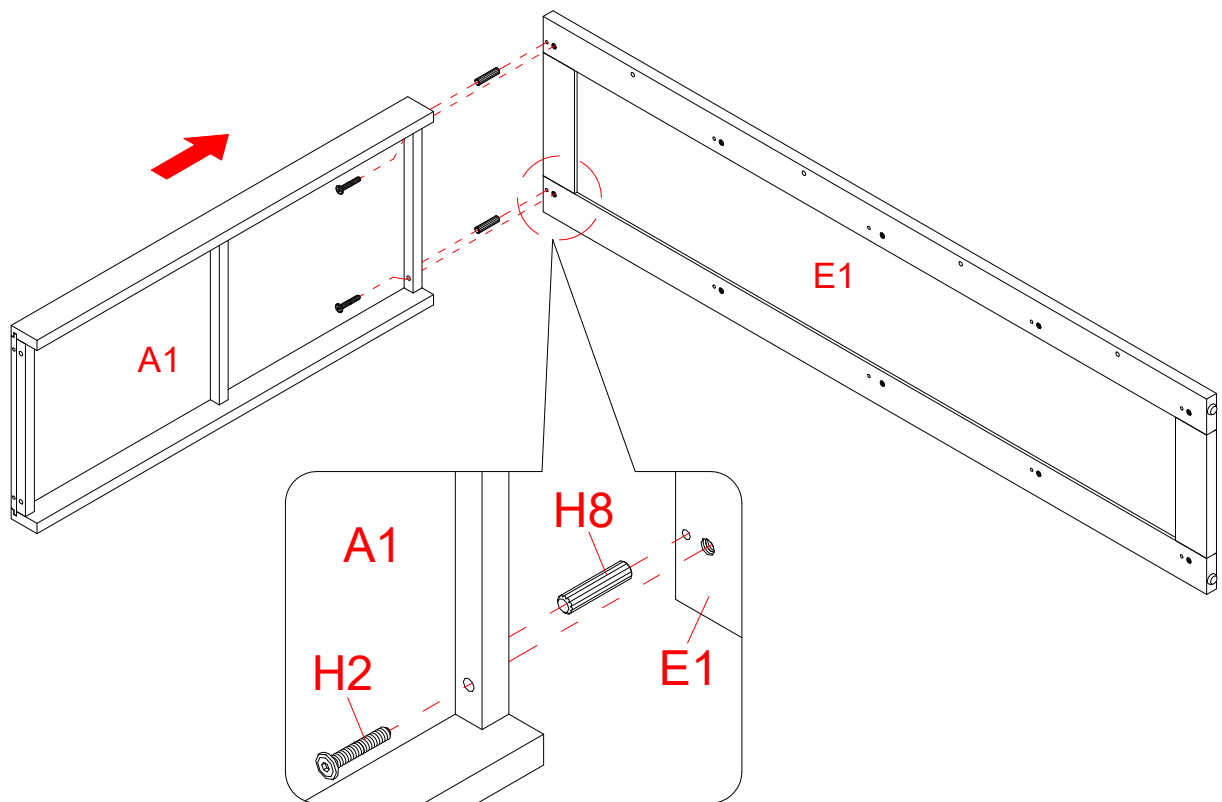
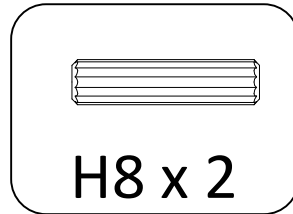
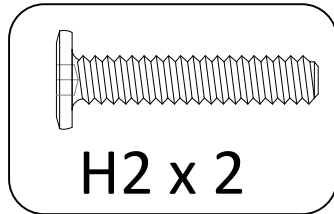
Perno de 1/4 de pulgada x 15mm (H1) Cant. 18+1 extra	Perno de 1/4 de pulgada x 32mm (H2) Cant. 20+1 extra	Perno de 1/4 de pulgada x 38mm (H3) Cant. 2+1 extra	
			
Perno de 1/4 de pulgada x 45mm (H4) Cant. 8+1 extra	Perno de 1/4 de pulgada x 110mm (H5) Cant. 8+1 extra		
			
Perno especial de M6.5 x 48mm (H6) Cant. 29+1 extra	Perno especial de M6.5 x 100mm (H7) Cant. 24+1 extra		
			
Clavija de madera de M6 x 25mm (H8) Cant. 20+1 extra	Clavija de madera de M8 x 30mm (H9) Cant. 6+1 extra	Clavija de madera de M10 x 50mm (H10) Cant. 50+2 extra	
			
Perno de M3.5 x 19mm (H11) Cant. 4+1 extra	Perno de M4 x 30mm (H12) Cant. 6+1 extra	Perno de M4 x 35mm (H13) Cant. 14+1 extra	
			
Clavija conectora de la cama (H14) Cant. 4	Tuerca barril (H15) Cant. 8+1 extra	Soporte de metal (H16) Cant. 1	Soporte L (H17) Cant. 9
			

Herramientas

Llave hexagonal (H18) (Incluida) Cant. 2	Desarmador estrella (No incluido)	Desarmador cabeza plana (No incluido)
		

Ensamble

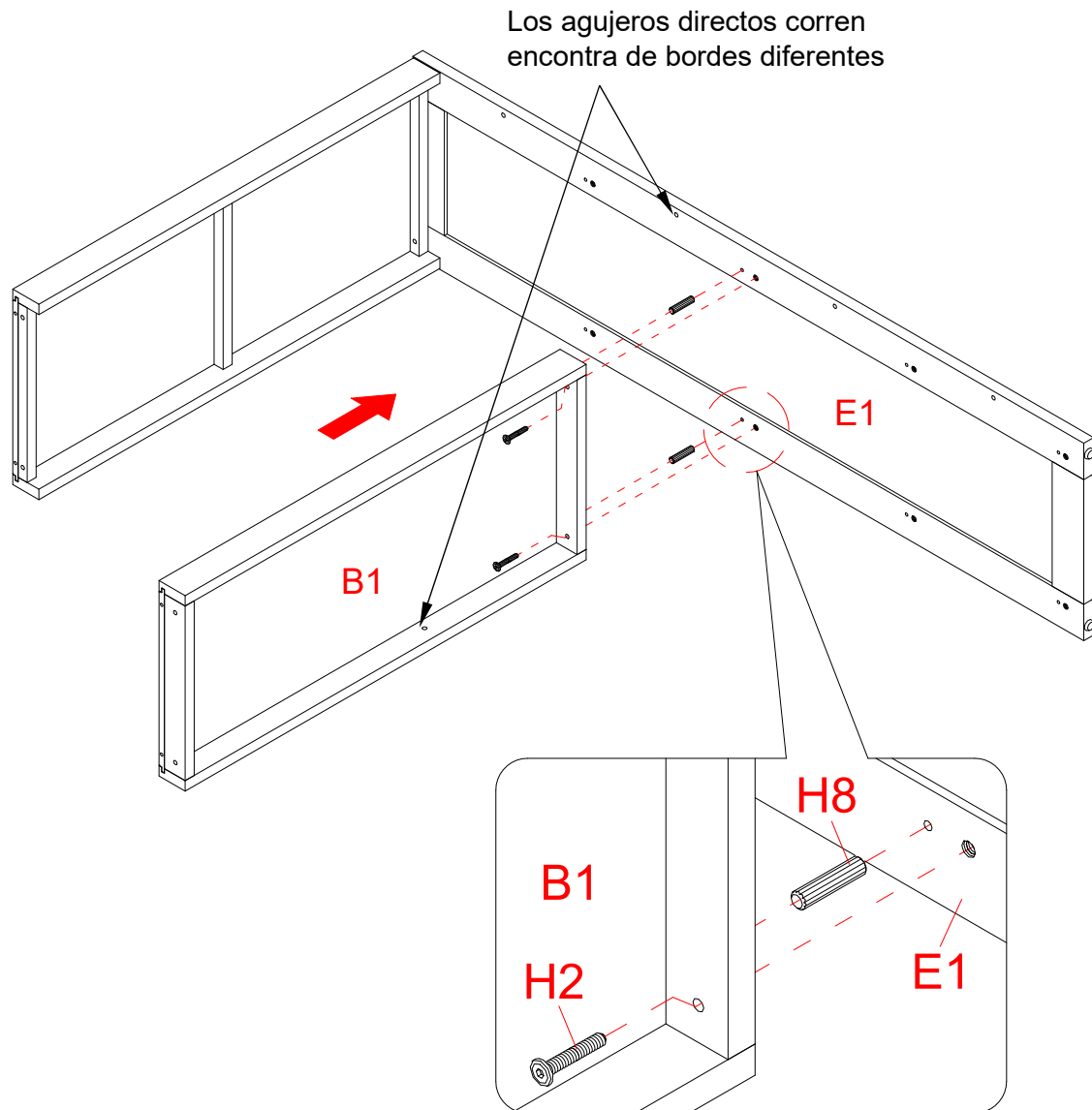
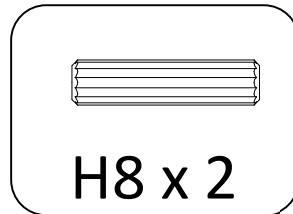
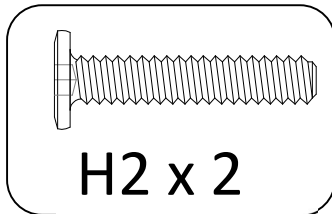
Paso 1



NOTA: Por favor seguir todas las instrucciones cuidadosamente para asegurar una cama segura y robusta. No apriete completamente los pernos hasta que todos los rieles estén adjuntos.

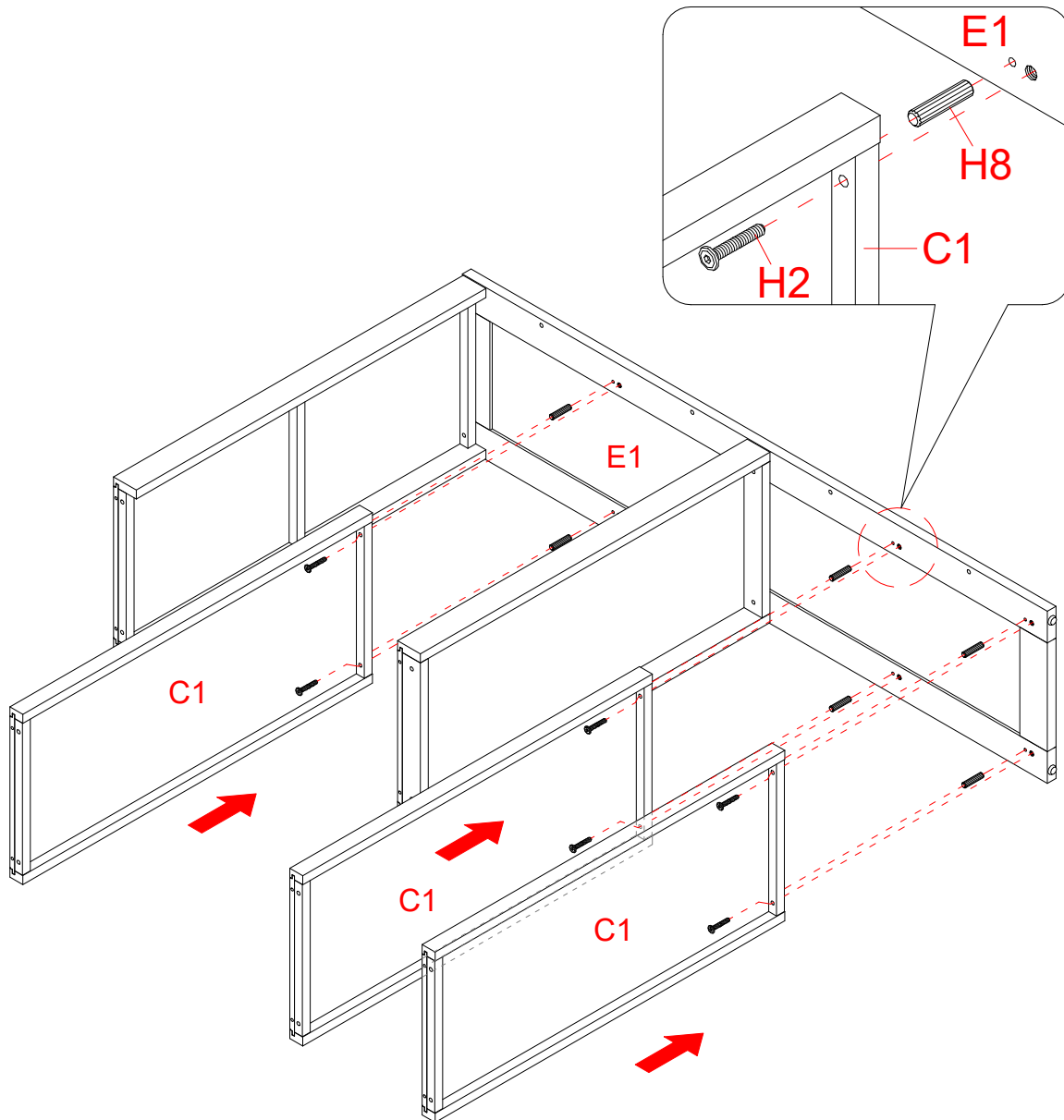
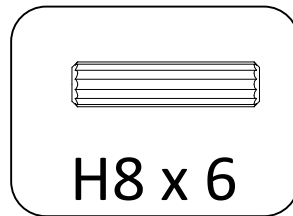
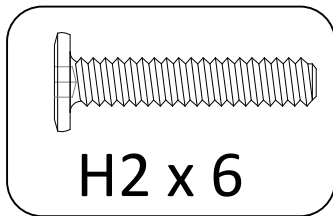
- Desempacar la unidad y confirmar que se tiene todo el material de ferretería y partes requeridas.
- Insertar 2 clavijas de madera de 25 mm (H8) en los agujeros internos en la tapa del librero (A1) y adjuntar en el panel posterior del librero (E1) usando 2 pernos de 32 mm (H2). Apretar los pernos con la lave hexagonal provista.

Paso 2



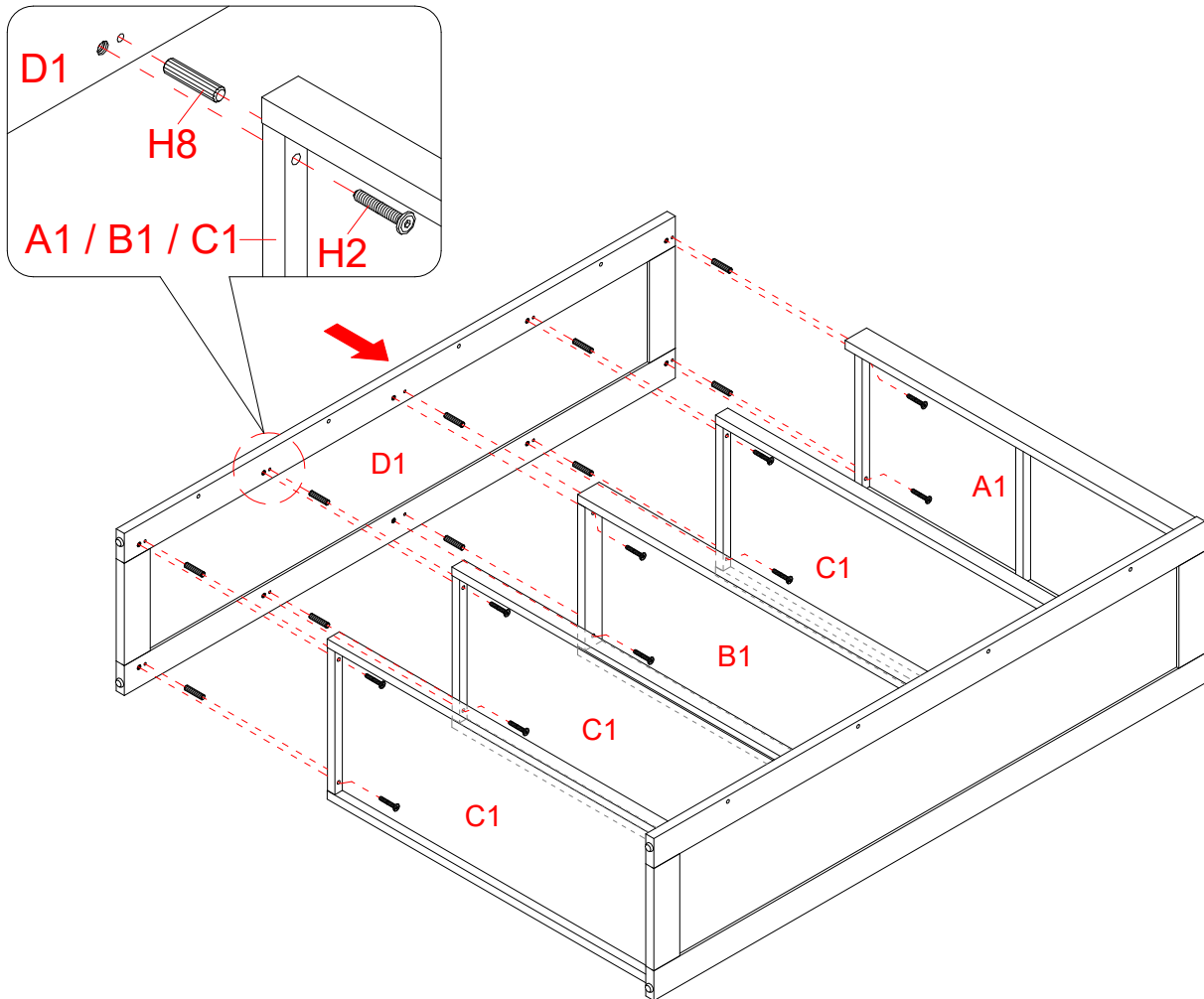
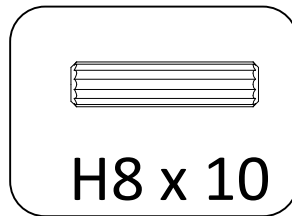
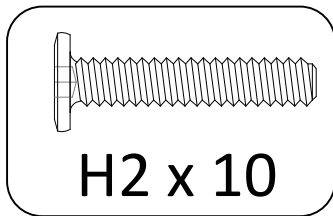
- a) Insertar 2 clavijas de madera de 25 mm (H8) en los agujeros internos en la repisa media del librero (B1) y adjuntar al panel posterior del librero (E1) con 2 pernos de 32 mm (H2).

Paso 3



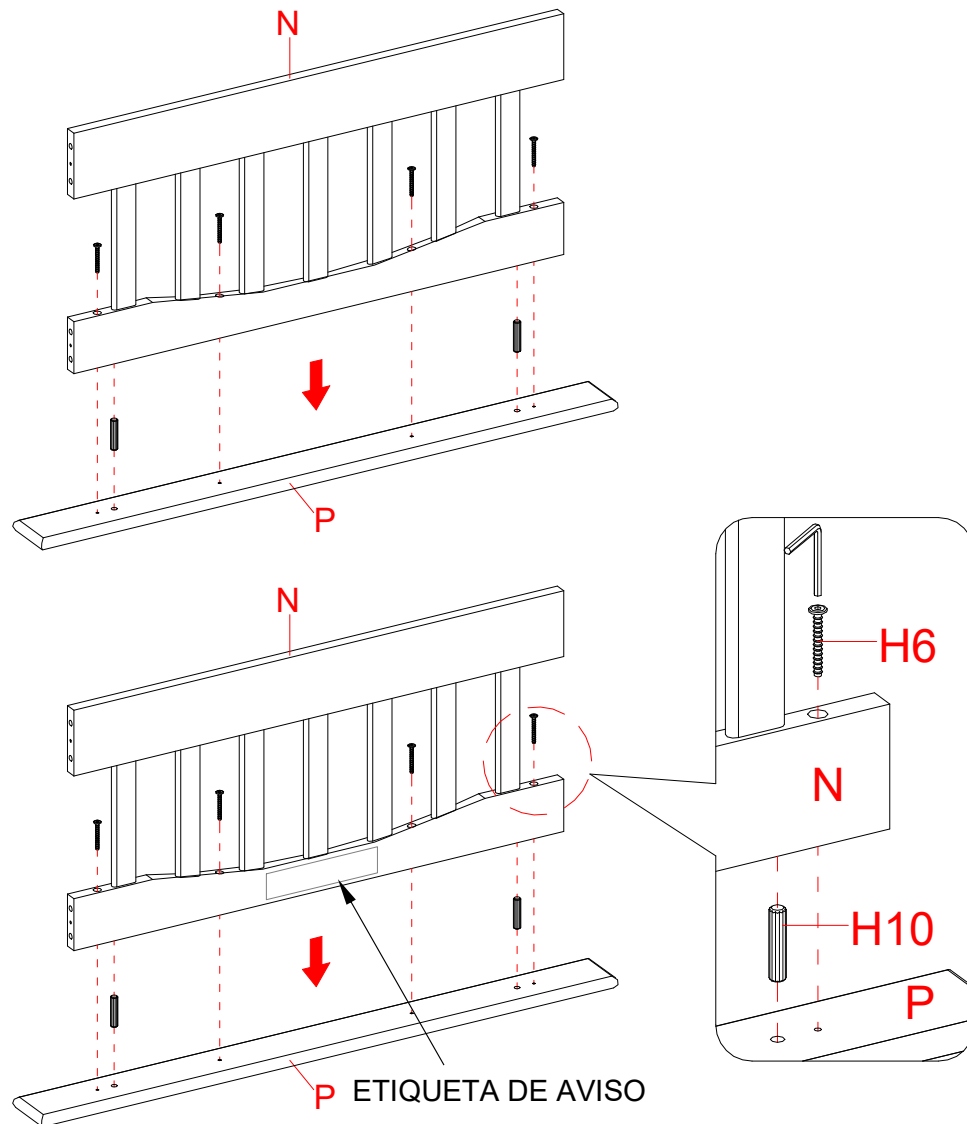
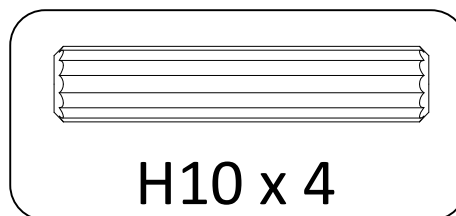
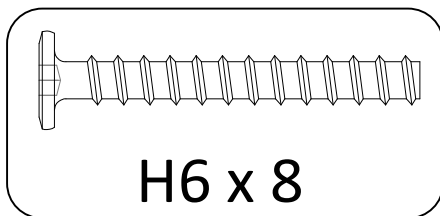
- a) Adjuntar las repisas superior / inferior (C1) al panel posterior del librero (E1) con 6 pernos de 32 mm (H2) y 6 clavijas de madera de 25 mm (H8).

Paso 4



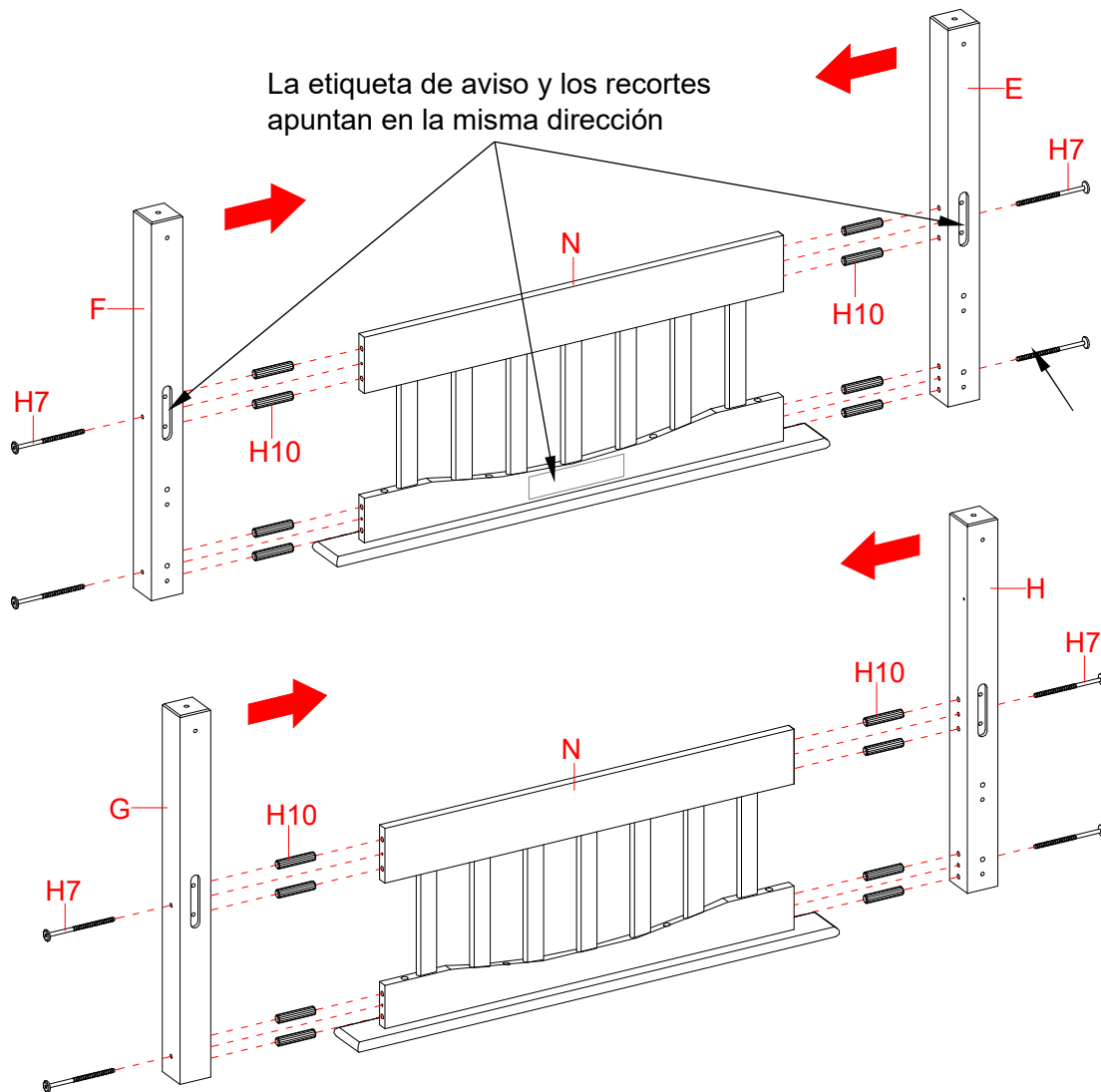
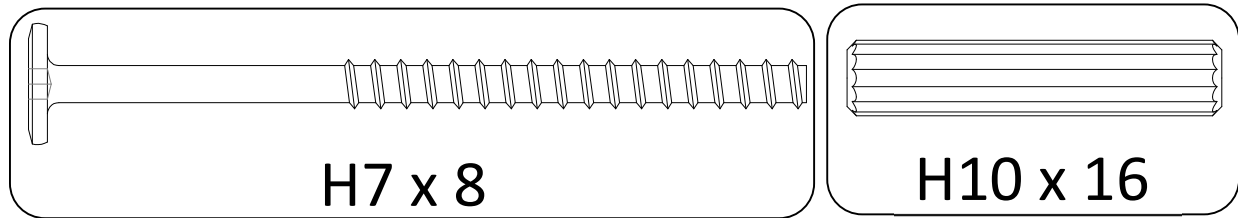
- Repetir el mismo procedimiento para adjuntar el panel frontal del librero (D1) al extremo opuesto.
- Pedir asistencia para poner el librero ensamblado en posición y poner cerca del lugar.

Paso 5



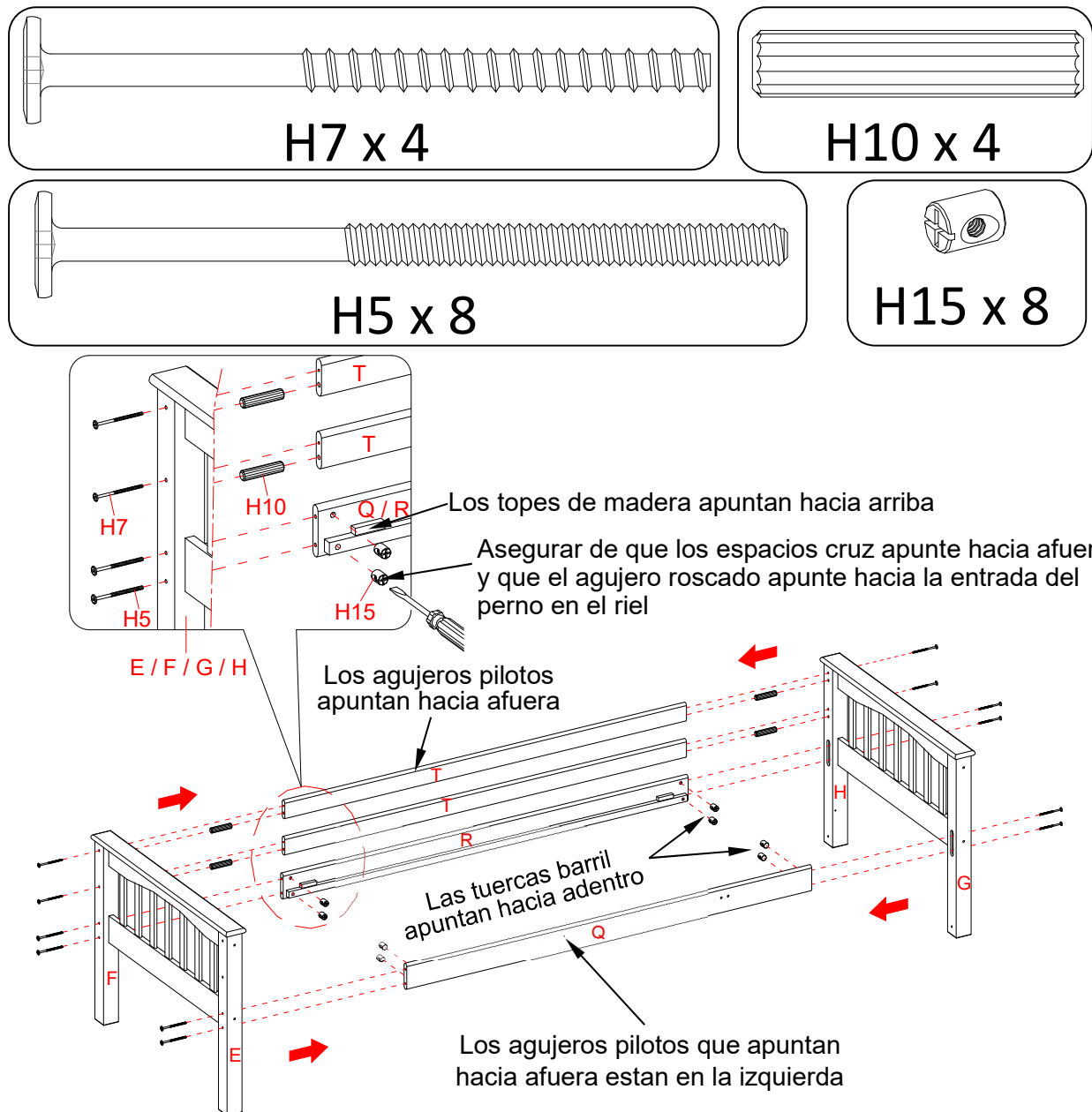
- Alinear y adjuntar un ensamble del soporte superior (N) a un riel tope (P) usando 2 clavijas de madera de 50 mm (H10) y 4 pernos especiales de 48 mm (H6). Apretar los pernos con la llave hexagonal provista.
- Repetir el mismo procedimiento para combinar el riel tope (P) y el ensamble de soporte superior (N) restantes.

Paso 6



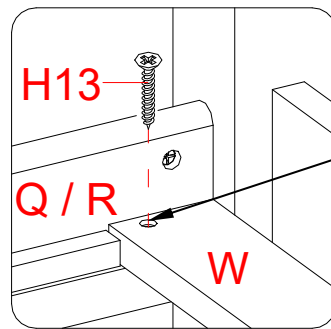
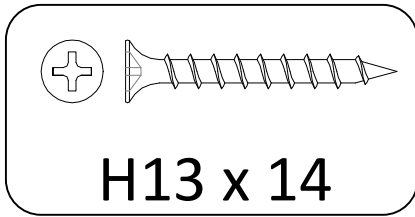
- Insertar 4 clavijas de madera de 50 mm (H10) en los agujeros extremos en el ensamble del soporte superior con la etiqueta de aviso (N). Adjuntar los postes superiores de la cabecera (E y F) al ensamble del soporte superior (N) con 4 pernos especiales de 100 mm (H7) como se muestra. Apretar los pernos con la llave hexagonal.
- Repetir el mismo procedimiento para adjuntar los postes superiores del piecero (G y H) al otro ensamble del soporte superior (N).

Paso 7

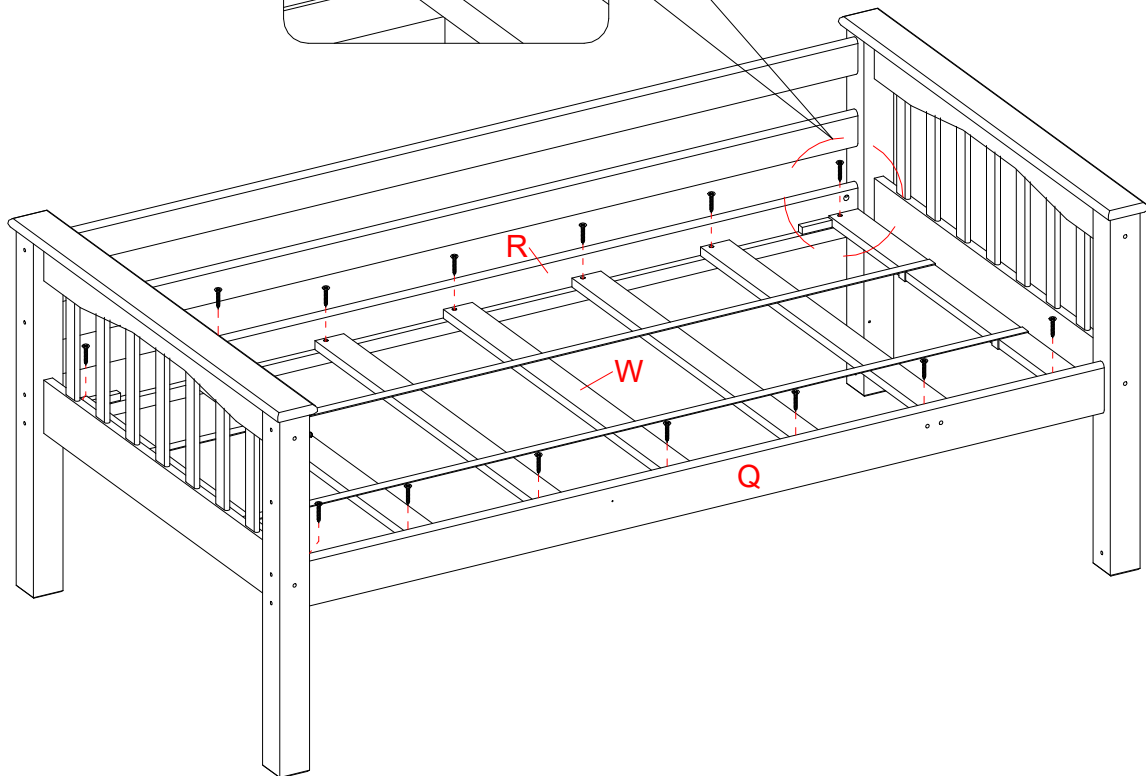


- Insertar las clavijas de madera de 50 mm (H10) en los agujeros grandes perforados en el riel de seguridad largo (T) en ambos lados. Adjuntar 2 rieles de seguridad largos (T) entre los postes superiores posteriores (F y H) con 4 pernos especiales de 100 mm (H7).
- Adjuntar el riel lateral del colchón (R) entre los postes superiores posteriores (F y H) con 4 pernos de 110 mm (H5) y 4 tuercas barril (H15). Asegurar de que los topes de madera en el riel lateral estén arriba y apunten hacia adentro.
- Adjuntar el riel lateral de la escalera (Q) entre los postes superiores frontales (E y G) usando 4 pernos de 110 mm (H5) y 4 tuercas barril (H15). Asegurar de que los topes de madera estén arriba y apunten hacia adentro.

Paso 8

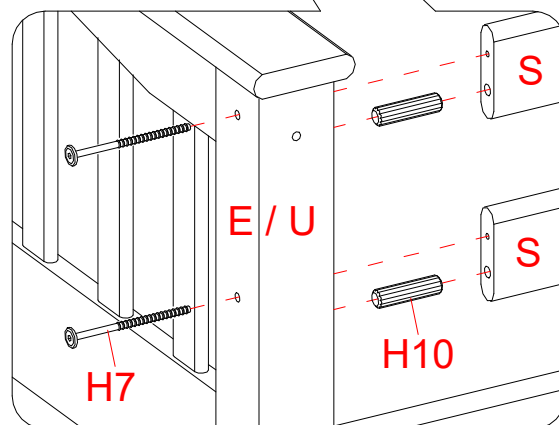
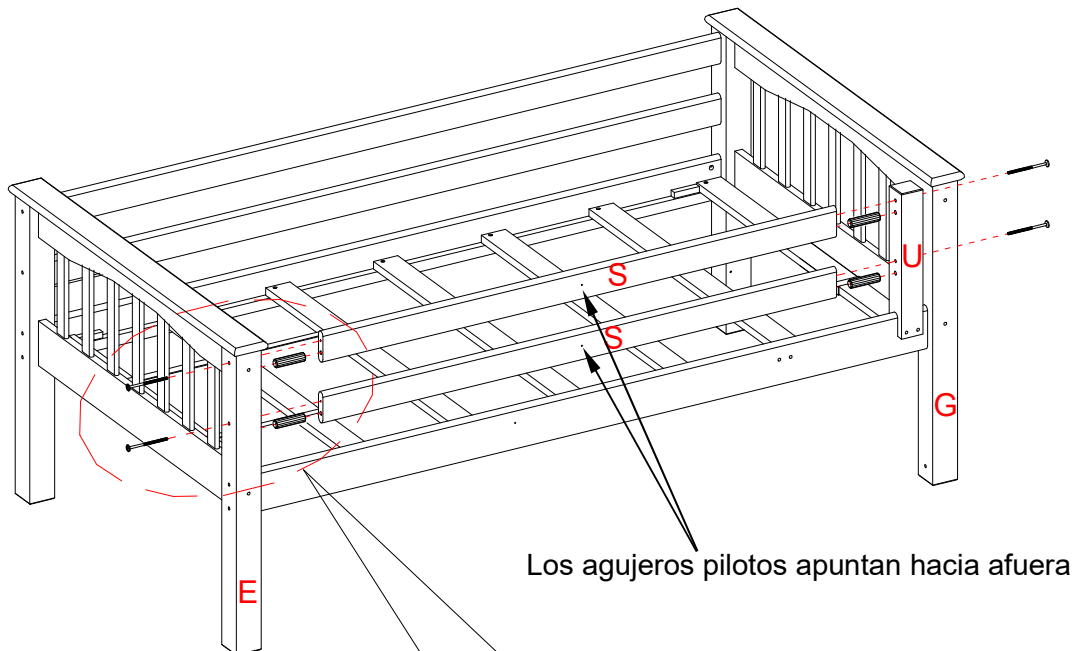
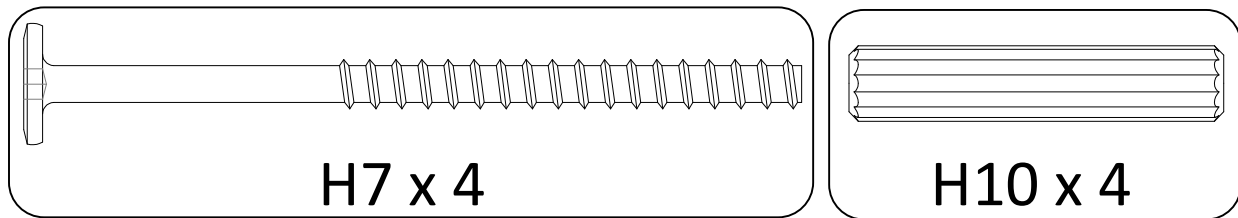


Los agujeros avellanados apuntan hacia arriba



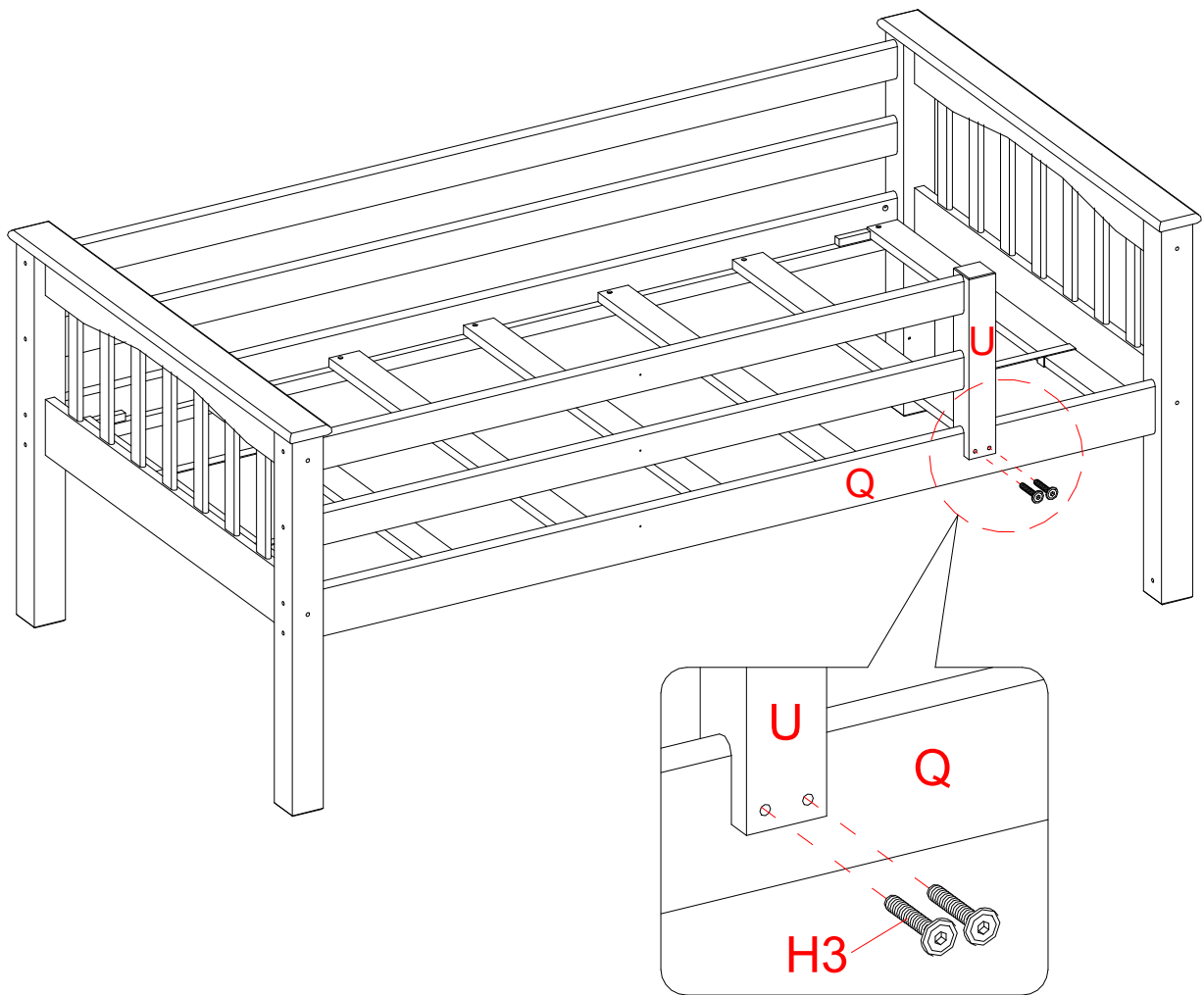
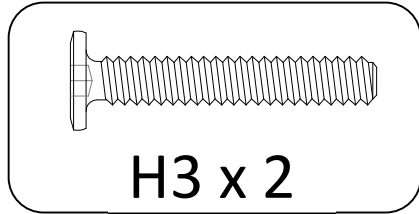
- a) Descansar las tablillas de soporte del colchón superior (W) entre los toques de madera en el riel lateral de la escalera (Q) y el riel lateral del colchón (R). Insertar y atornillar los pernos de 35 mm (H13) en los agujeros avellanados en cada tablilla. Apretar los pernos usando el desarmador estrella.

Paso 9



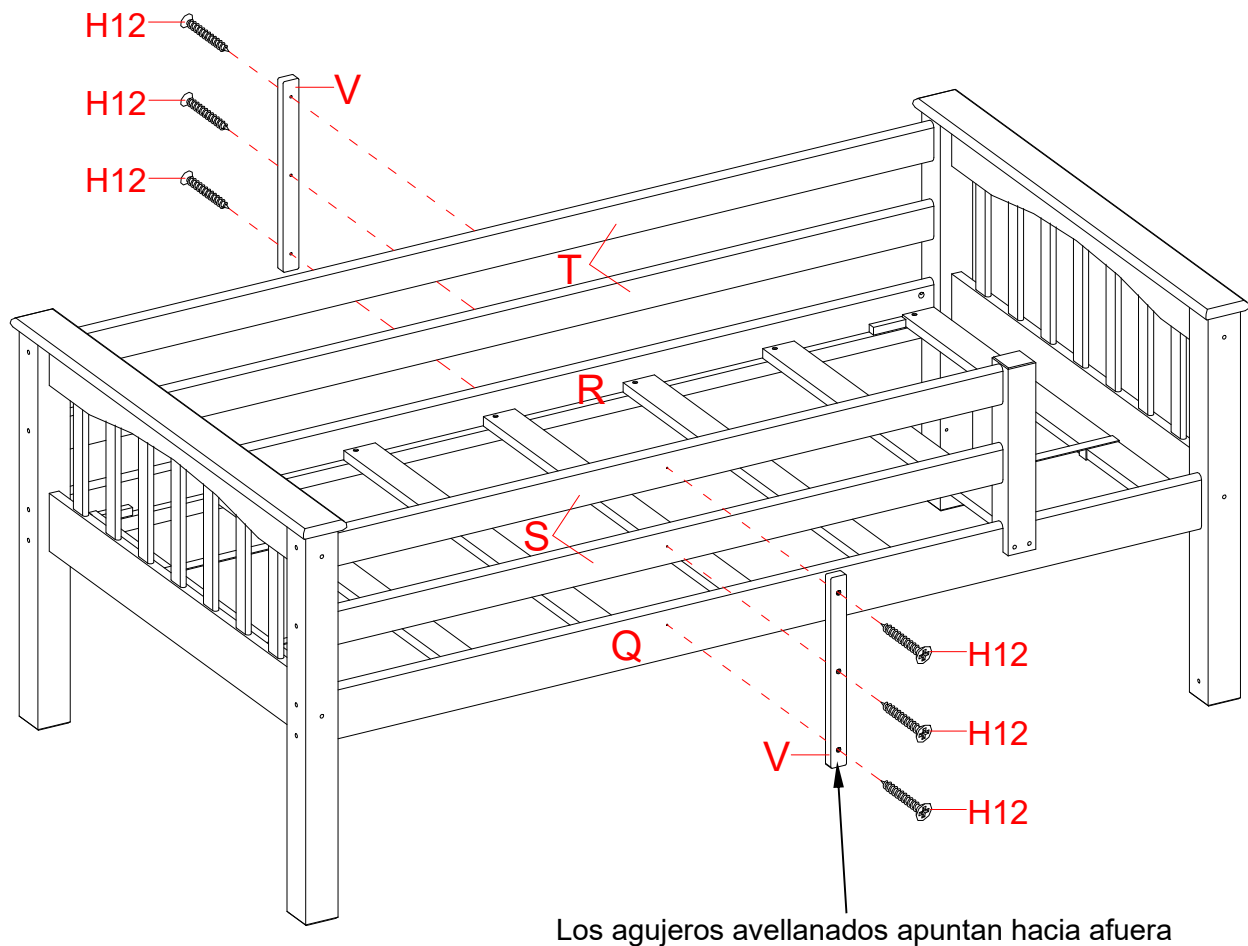
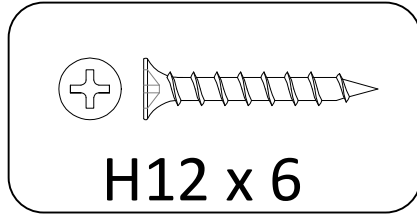
- a) Insertar 4 clavijas de madera de 50 mm (H10) en los agujeros extremos grandes de 2 rieles de seguridad chicos (S) como guía. Adjuntar 2 rieles de seguridad chicos (S) entre el poste superior frontal de la cabecera (E) y el poste frontal del riel de seguridad (U) con 4 pernos especiales de 100 mm (H7).

Paso 10



- a) Sujetar el poste frontal del riel de seguridad (U) al riel lateral de la escalera (Q) con 2 pernos de 38 mm (H3), usando la llave hexagonal provista.

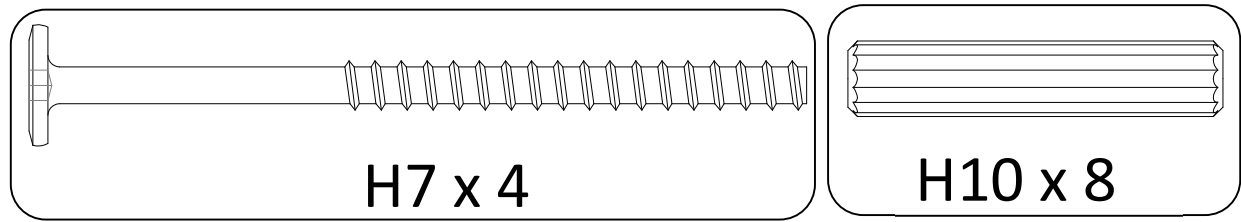
Paso 11



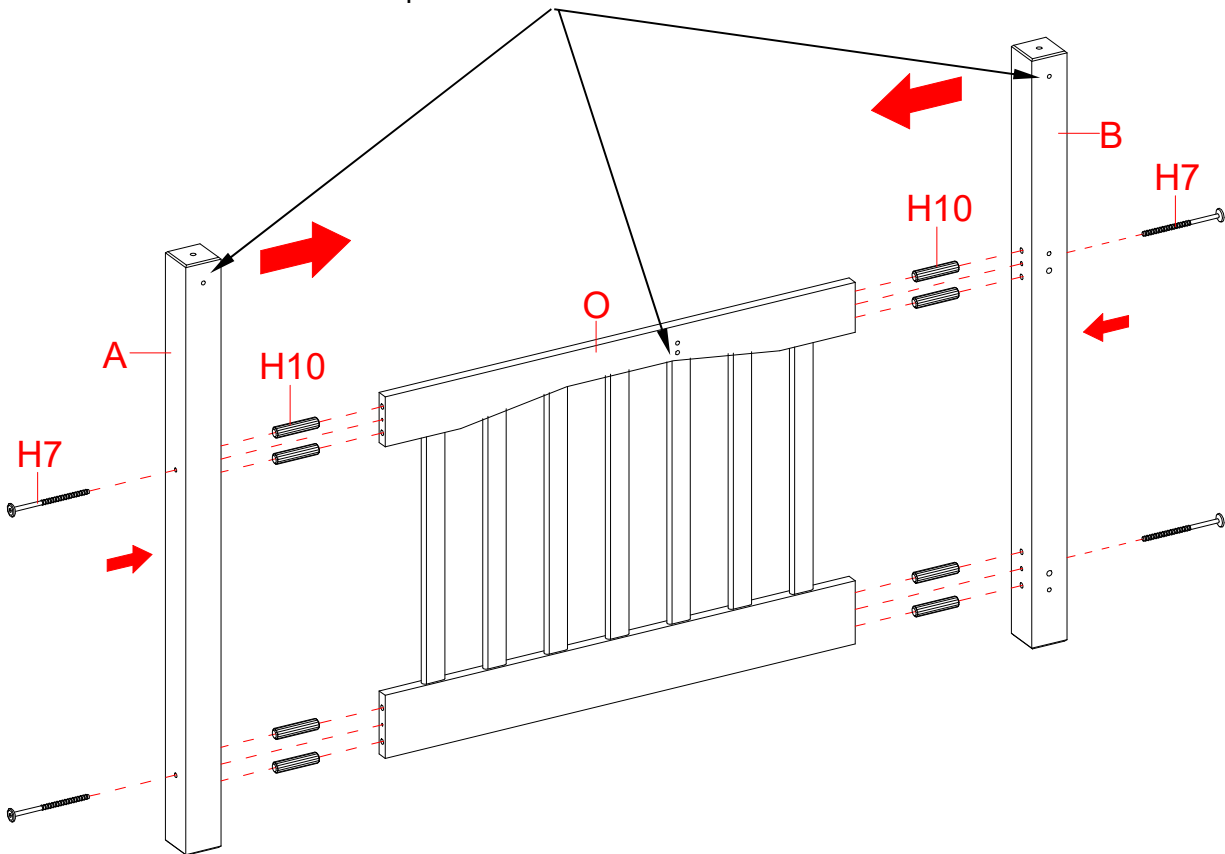
Los agujeros avellanados apuntan hacia afuera

- Con los agujeros pilotos como guía, alinear y adjuntar un soporte del riel de seguridad (V) al centro de los rieles de seguridad largos (T) y al riel lateral del colchón (R) usando 3 pernos de 30 mm (H12) a través de los agujeros avellanados y atornillar en su lugar.
- Repetir el mismo procedimiento para adjuntar el otro soporte del riel de seguridad (V) a los rieles de seguridad chicos (S) y al riel lateral de la escalera (Q).

Paso 12

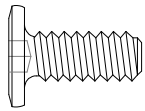


Los agujeros de montaje y la clavija de madera apuntan en la misma dirección



- Insertar 4 clavijas de madera de 50 mm (H10) en los agujeros extremos en el ensamble del soporte inferior (O) y adjuntar entre los postes inferiores (A y B) con 4 pernos especiales de 100 mm (H7). Apretar los pernos con la llave hexagonal provista.

Paso 13

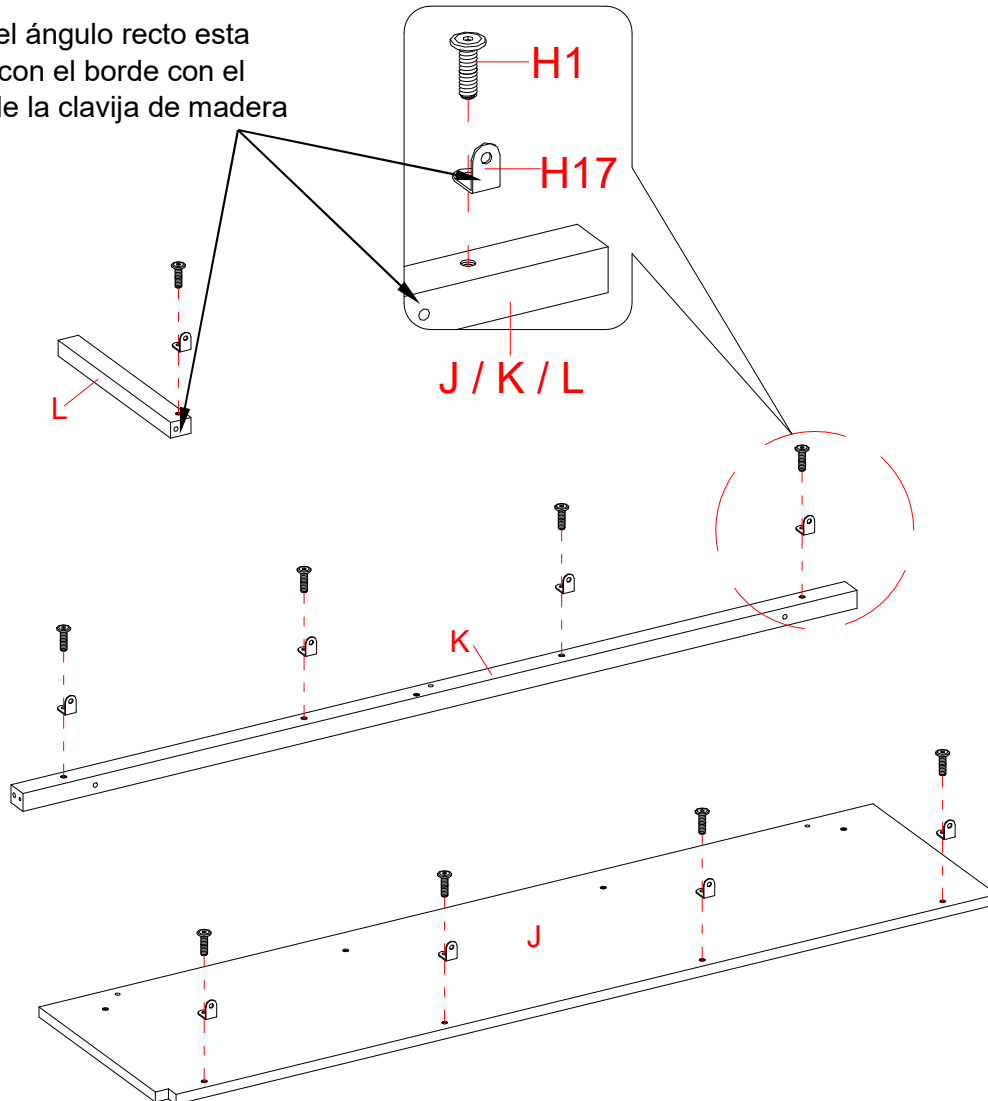


H1 x 9



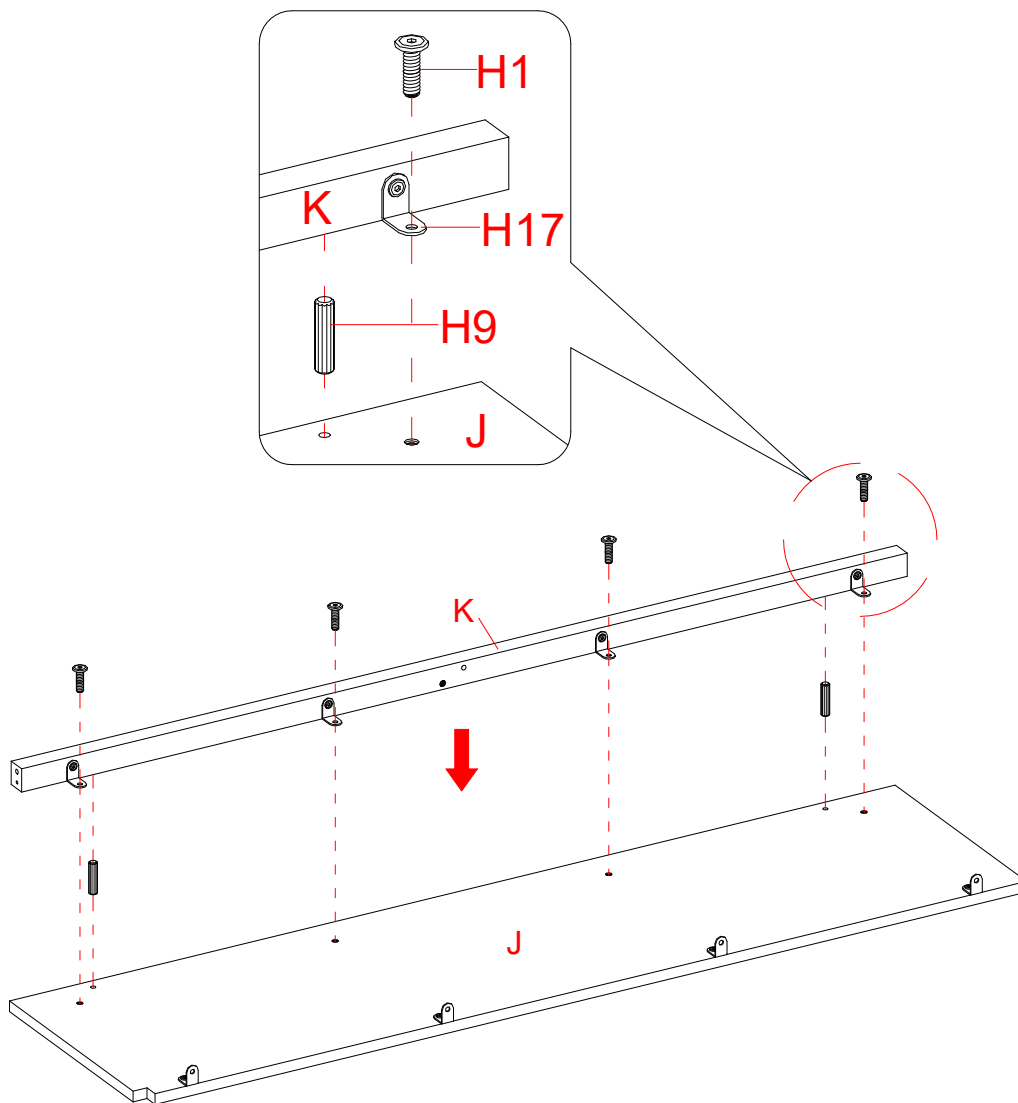
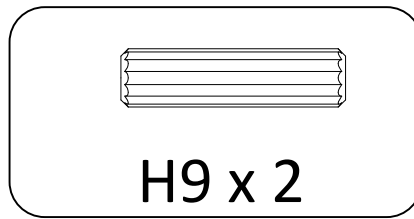
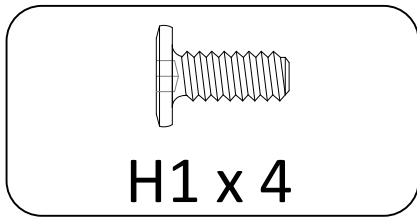
H17 x 9

El lado del ángulo recto esta nivelado con el borde con el agujero de la clavija de madera



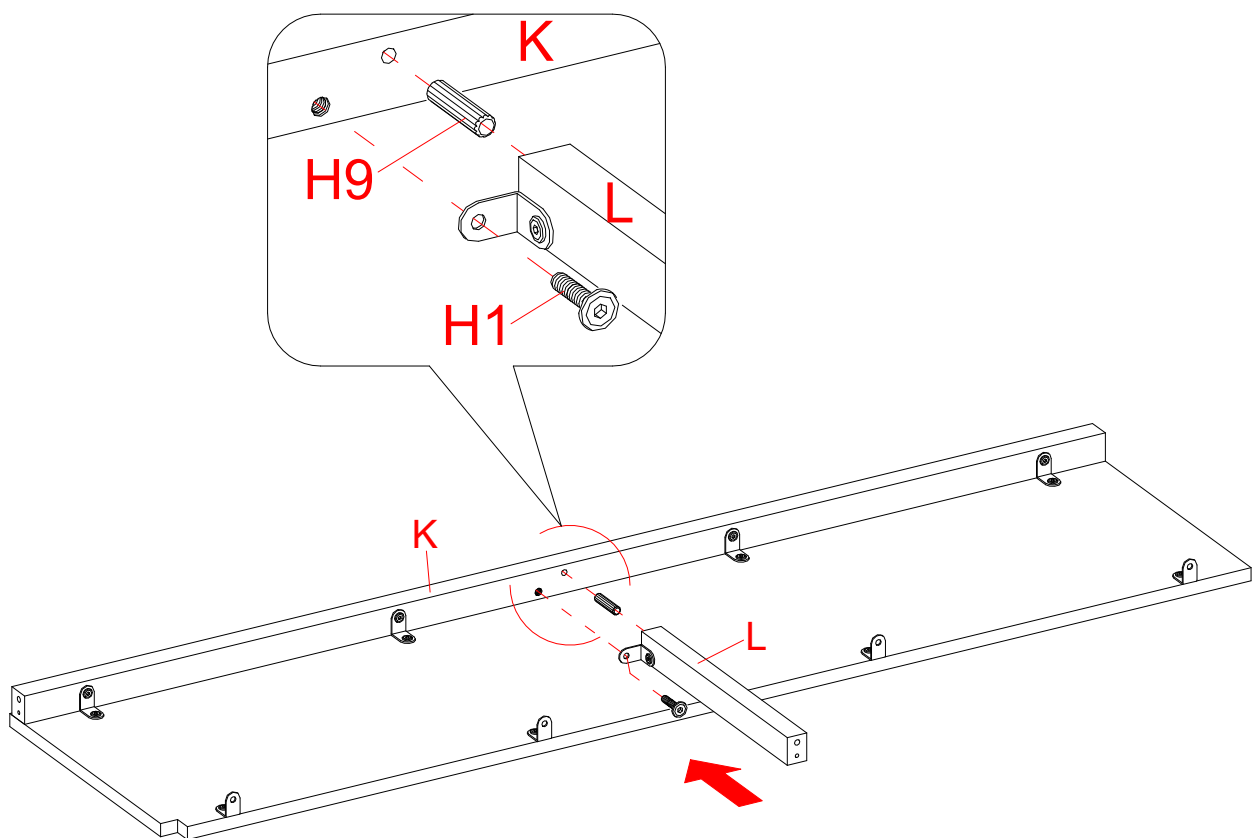
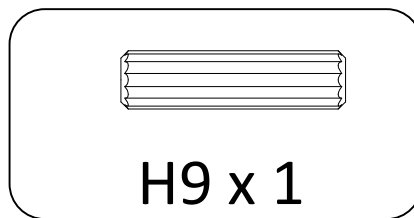
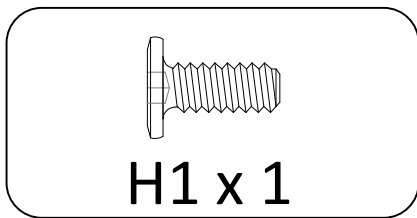
- Orientar y adjuntar 4 soportes L (H17) a la tapa del escritorio (J) con 4 pernos de 15mm (H1). Asegurar de que el lado del ángulo recto de los soportes de metal este nivelado con el borde posterior con la muesca.
- Repetir el mismo procedimiento para instalar los soportes L restantes (H17) a los soportes frontal de la tapa del escritorio y medio (K y L) como se muestra arriba.

Paso 14



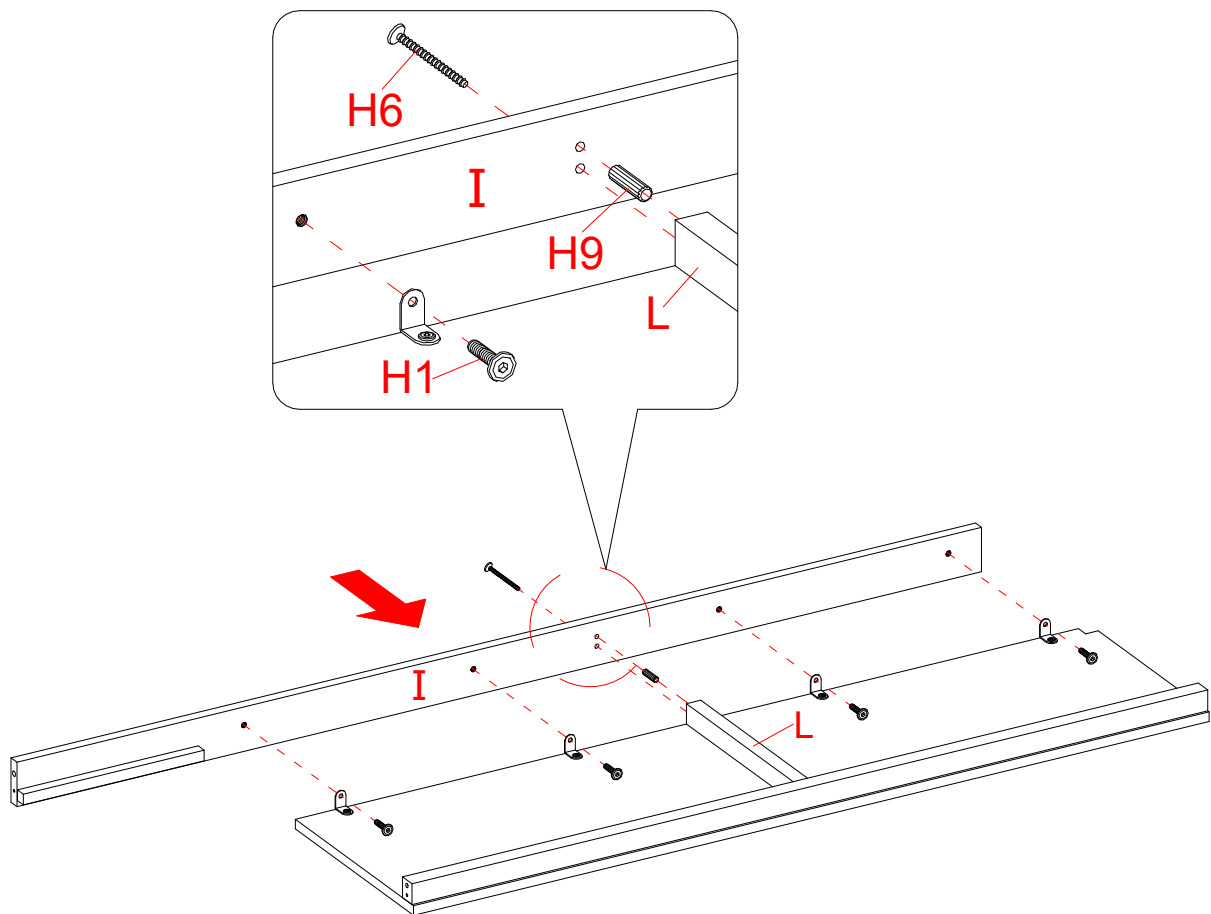
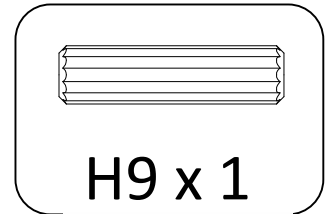
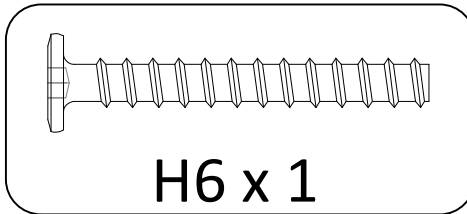
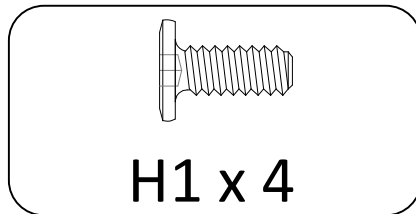
- a) Insertar 2 clavijas de madera de 30 mm (H9) en los agujeros perforados en el soporte frontal de la tapa del escritorio (K) y adjuntar a la tapa del escritorio (J) con 4 pernos de 15mm (H1).

Paso 15



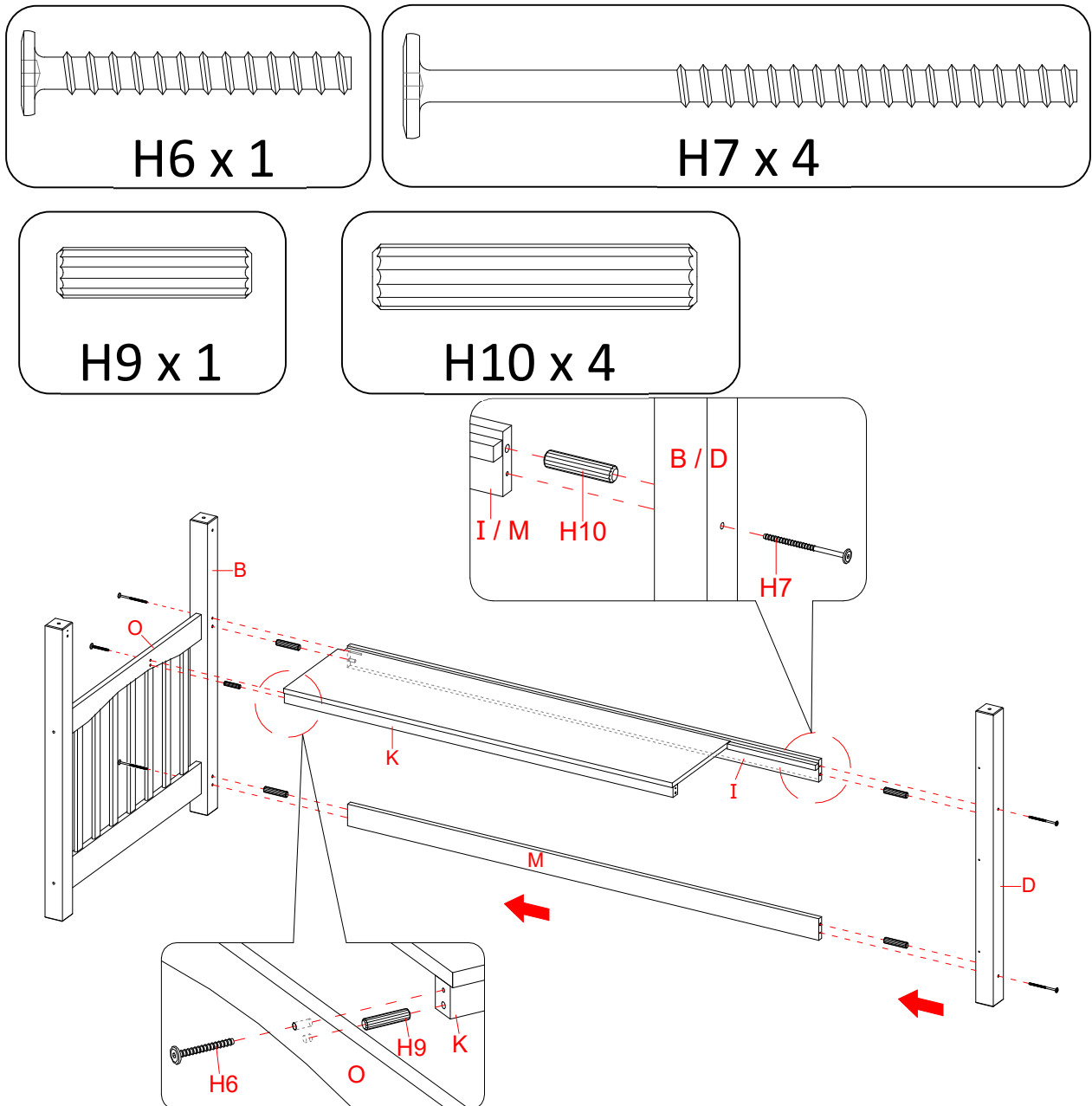
- a) Alinear y adjuntar el soporte medio del escritorio (L) al soporte frontal de la tapa del escritorio (K) usando un perno de 15 mm (H1) y una clavija de madera de 30 mm (H9).

Paso 16



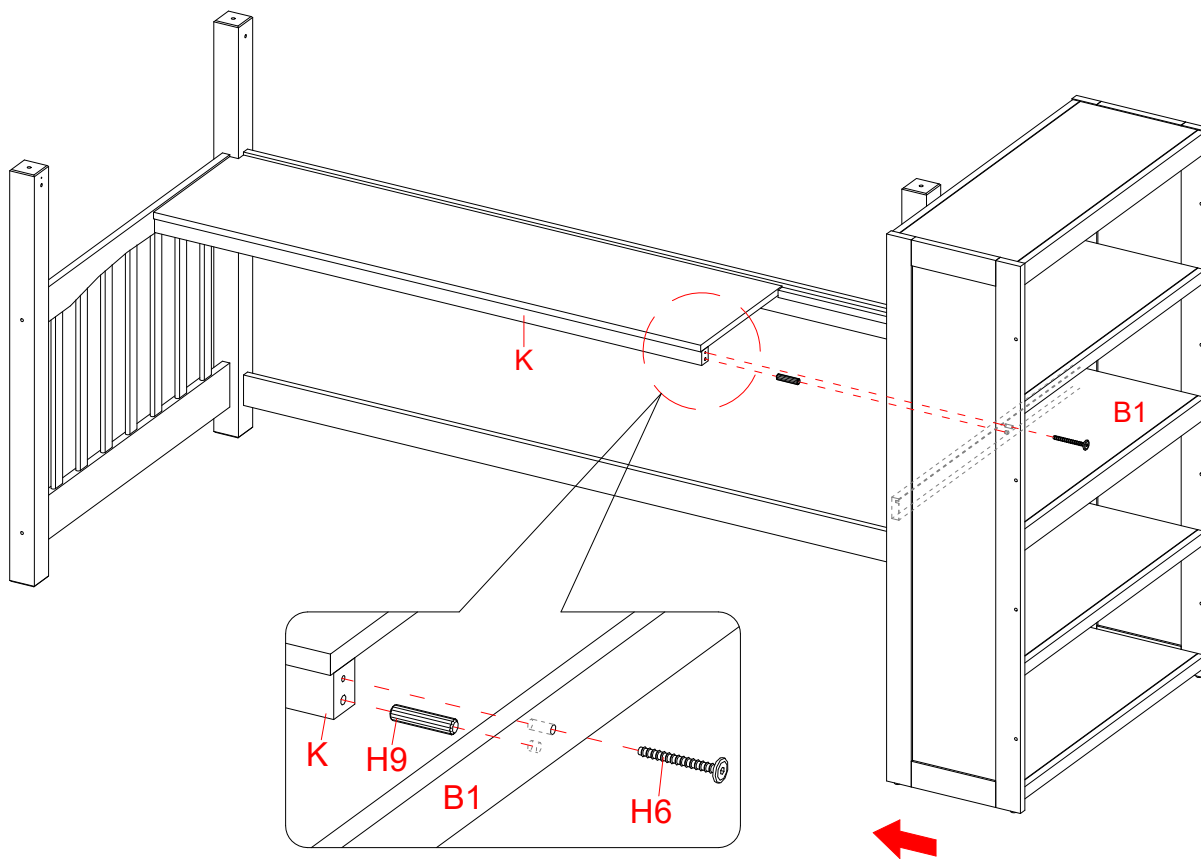
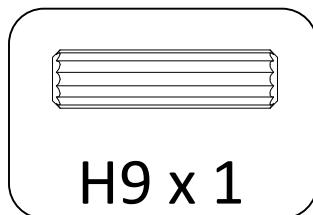
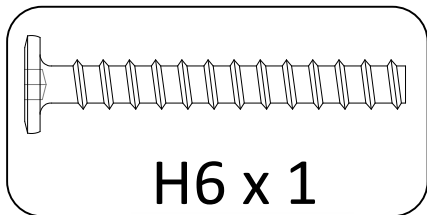
- Orientar y adjuntar el soporte medio posterior (I) al soporte medio del escritorio (L) con un perno de 48 mm (H6) y una clavija de madera de 30 mm (H9).
- Insertar 4 pernos de 15 mm (H1) a través del soporte L (H17) hacia la tapa de escritorio (J) y atornillar hacia el soporte posterior medio (I).

Paso 17



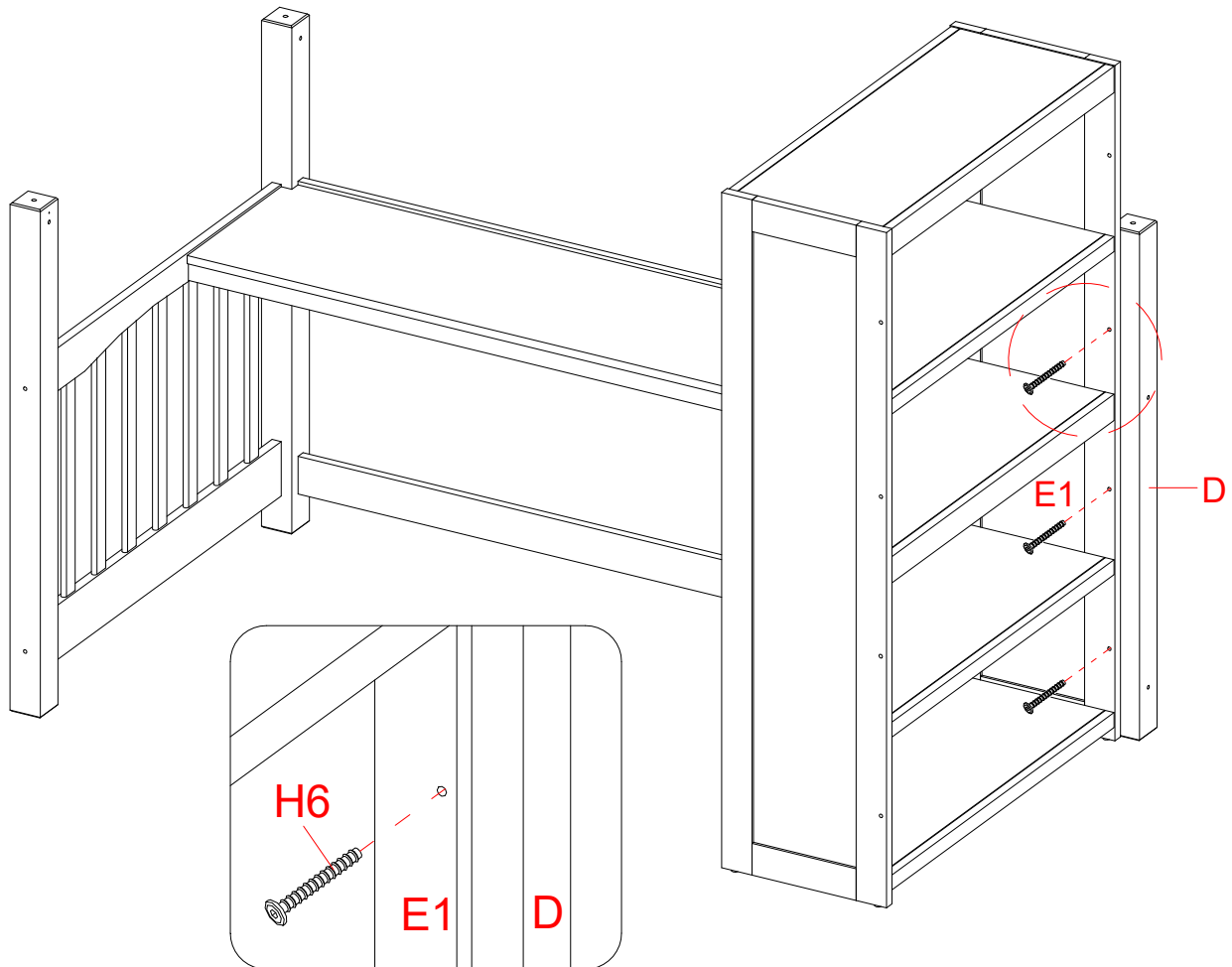
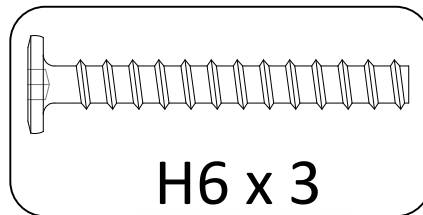
- Insertar una clavija de madera de 30mm (H9) y una clavija de madera de 50 mm (H10) en los agujeros extremos del ensamble previo y adjuntarlos a la cabecera inferior ensamblada con un perno especial de 48mm (H6) y un perno especial 100 mm (H7).
- Insertar una clavija de madera de 50 mm (H10) en los agujeros extremos largos del riel inferior posterior (M) y adjuntar al poste inferior posterior de la cabecera (B) con un perno especial de 100 mm (H7).
- Alinear y adjuntar un poste inferior posterior del picero (D) al soporte medio posterior (I) y al riel inferior posterior (M) con 2 clavijas de madera de 50 mm (H10) y 2 pernos especiales de 100 mm (H7)

Paso 18



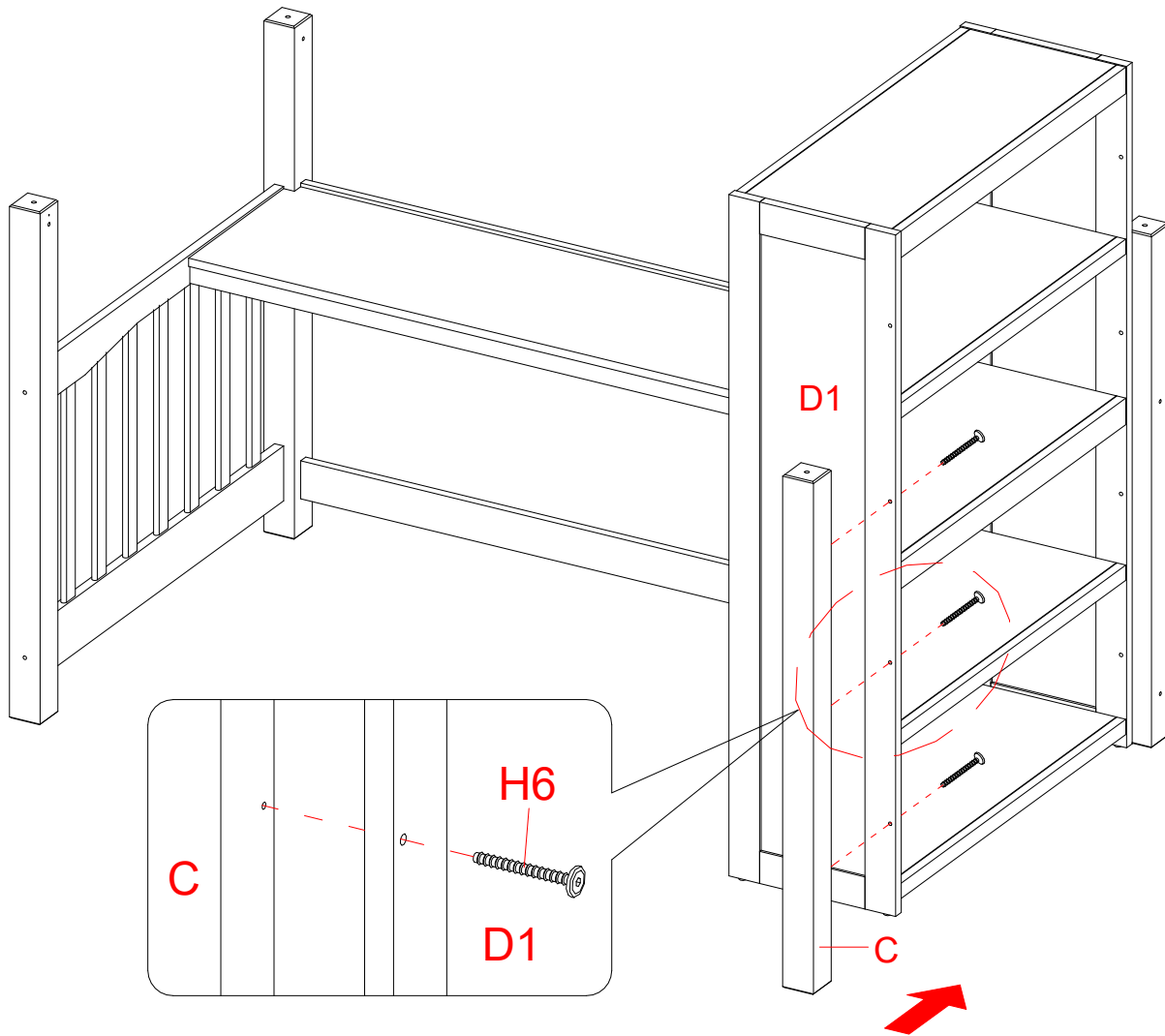
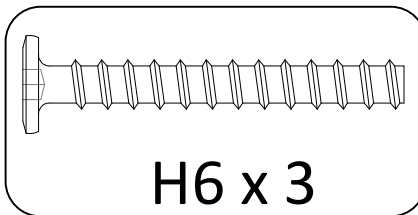
- Insertar una clavija de madera de 30mm (H9) en el agujero extremo grande del soporte frontal de la tapa del escritorio (K) como guía.
- Pedir asistencia para alinear el librero ensamblado con el poste inferior posterior del piecero (D) y con el soporte frontal de la tapa del escritorio (K).
- Insertar un perno especial de 48mm (H6) a través del agujero de montaje en la repisa media del librero (B1) y atornillar ligeramente en el soporte frontal de la tapa del escritorio (K).

Paso 19



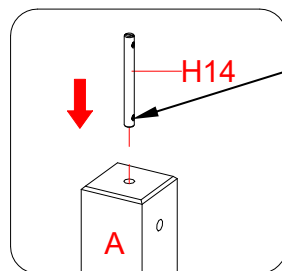
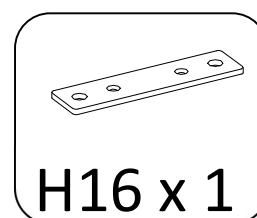
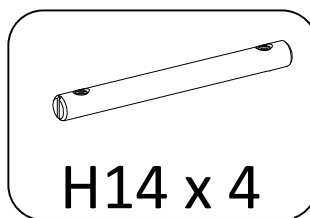
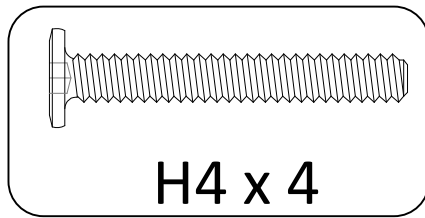
- a) Insertar 3 pernos especiales de 48 mm (H6) a través de los agujeros pre-perforados en el panel posterior del librero (E1) y atornillar en los agujeros perforados en el poste inferior posterior del piecero (D).

Paso 20

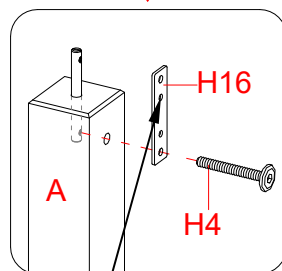
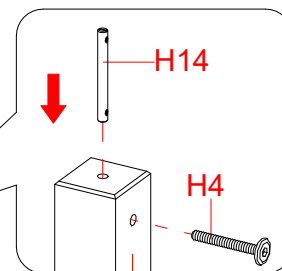


- a) Adjuntar el poste frontal del piecero (C) al panel frontal del piecero (D1) con 3 pernos especiales de 48 mm (H6).

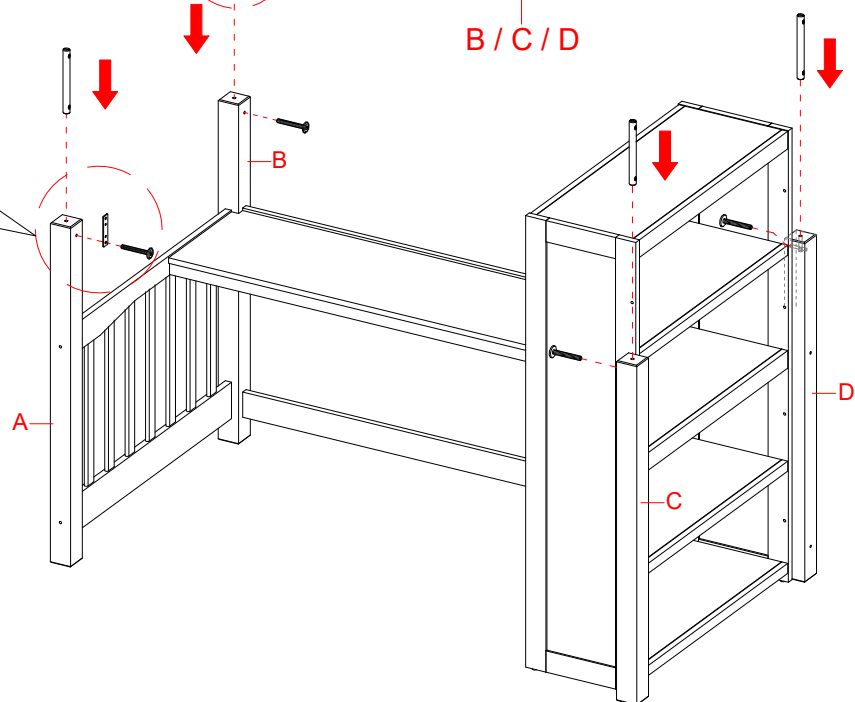
Paso 21



Asegurar de que los agujeros roscados apunten hacia la entrada del perno

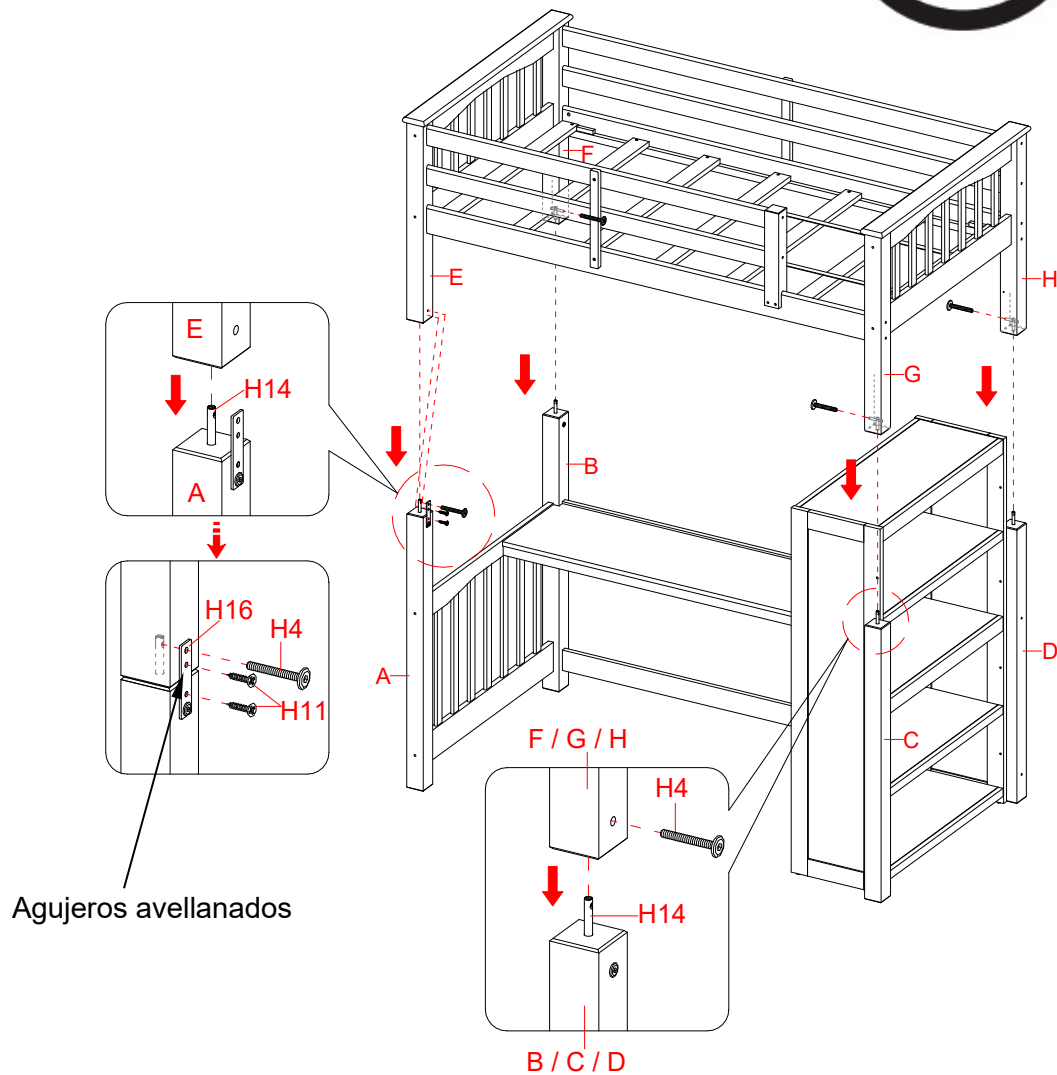
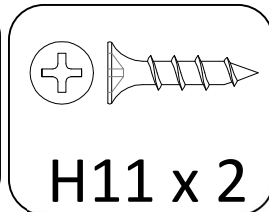
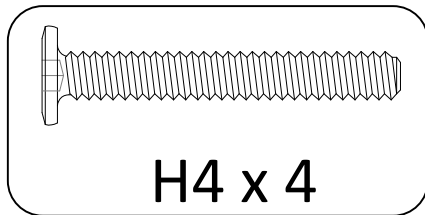


Los agujeros avellanados apuntan hacia afuera



- a) Insertar 4 clavijas conectoras de cama (H14) en los postes inferiores (A, B, C y D) y asegurar en su lugar con los pernos de 45 mm (H4). Cuando adjunte una clavija conectora (H14) al poste inferior frontal de la cabecera (A), usted necesitara insertar un perno de 45 mm (H4) a través del agujero inferior del soporte de metal (H16) y atornillar en el agujero roscado de la clavija conectora.

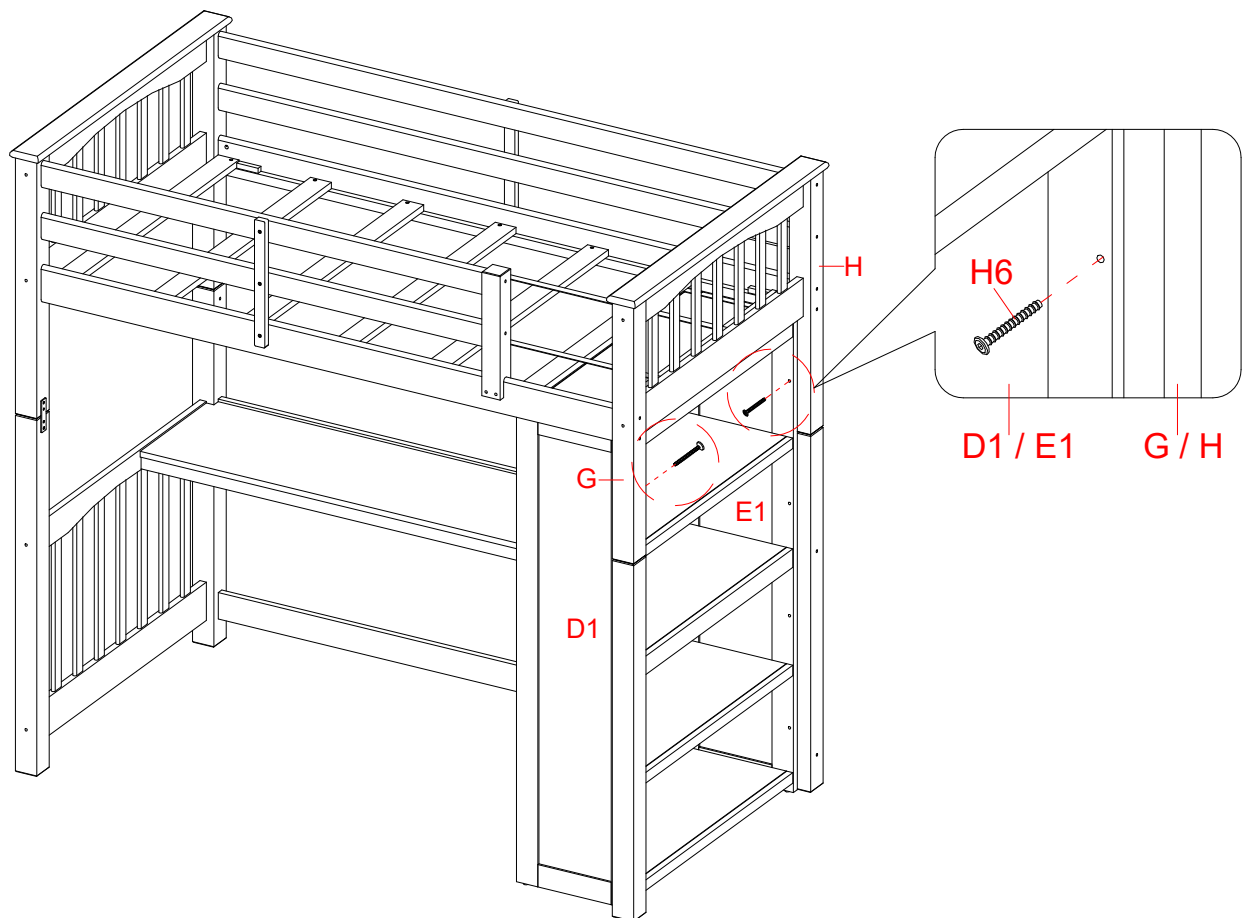
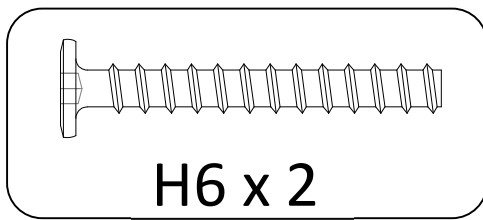
Paso 22



- Pedir asistencia para poner la litera superior sobre las clavijas conectores de la cama (H14) en los postes inferiores y sujetar los postes superiores (E, F, G y H) en su lugar con 4 pernos de 45 mm (H4).
- Proceder a insertar 2 pernos de 19 mm (H11) a través de los agujeros avellanados del soporte de metal (H16) y atornillar en su lugar.

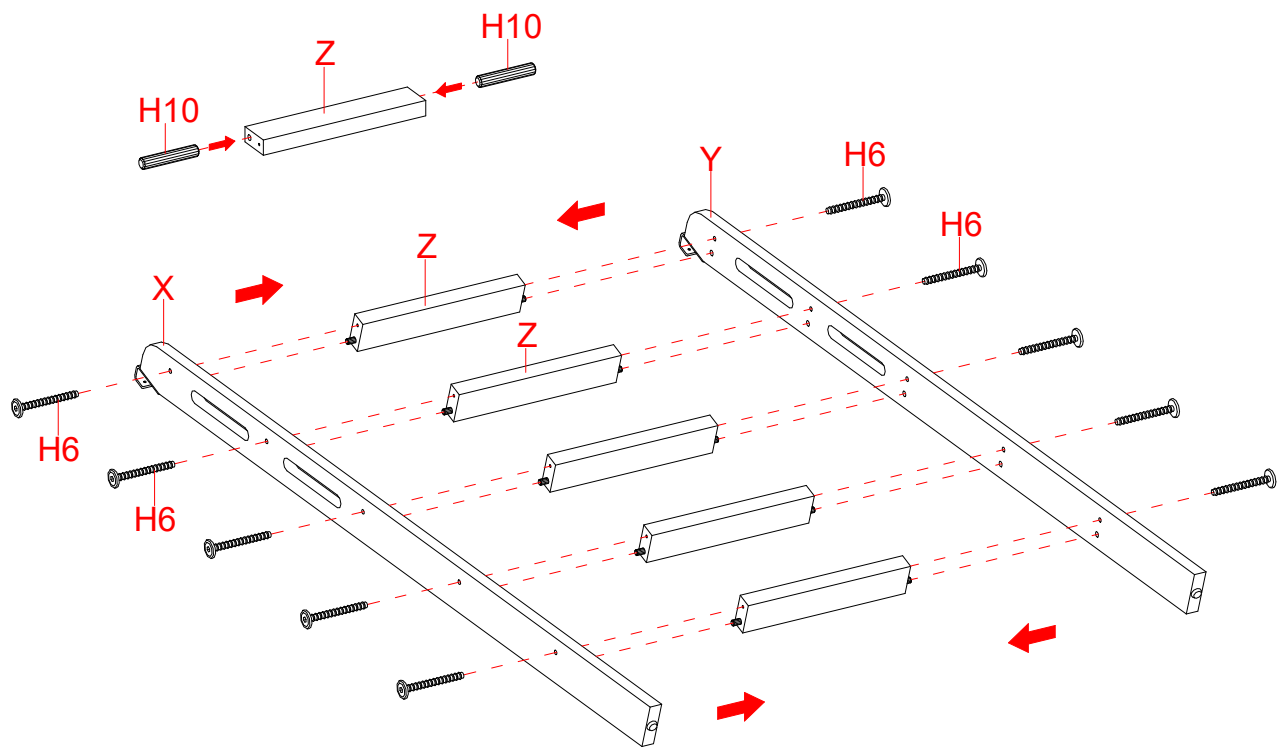
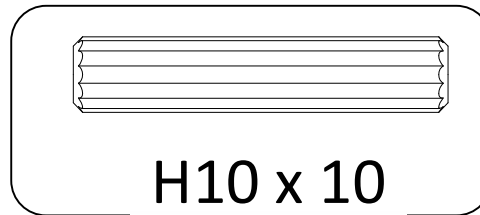
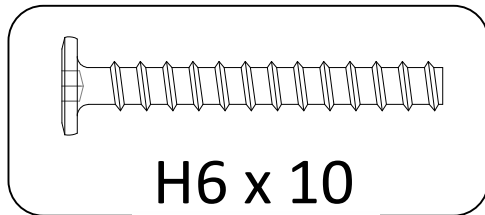
NOTA: Asegurar de que la litera superior entre completamente sobre los postes y que las clavijas entren todo el camino, sin dejar espacios.

Paso 23



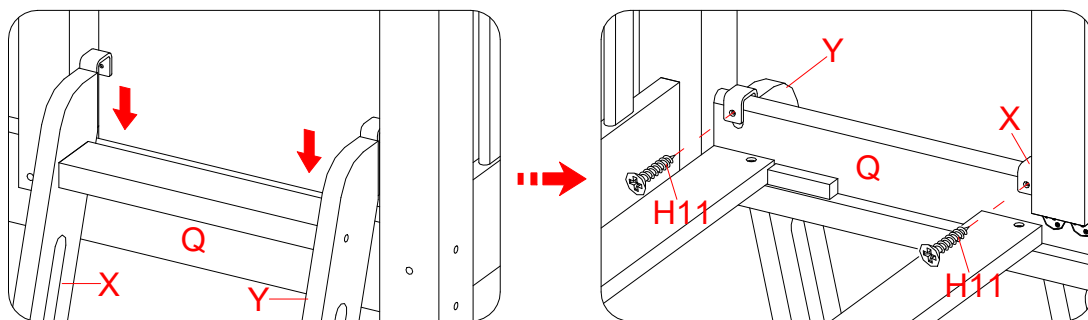
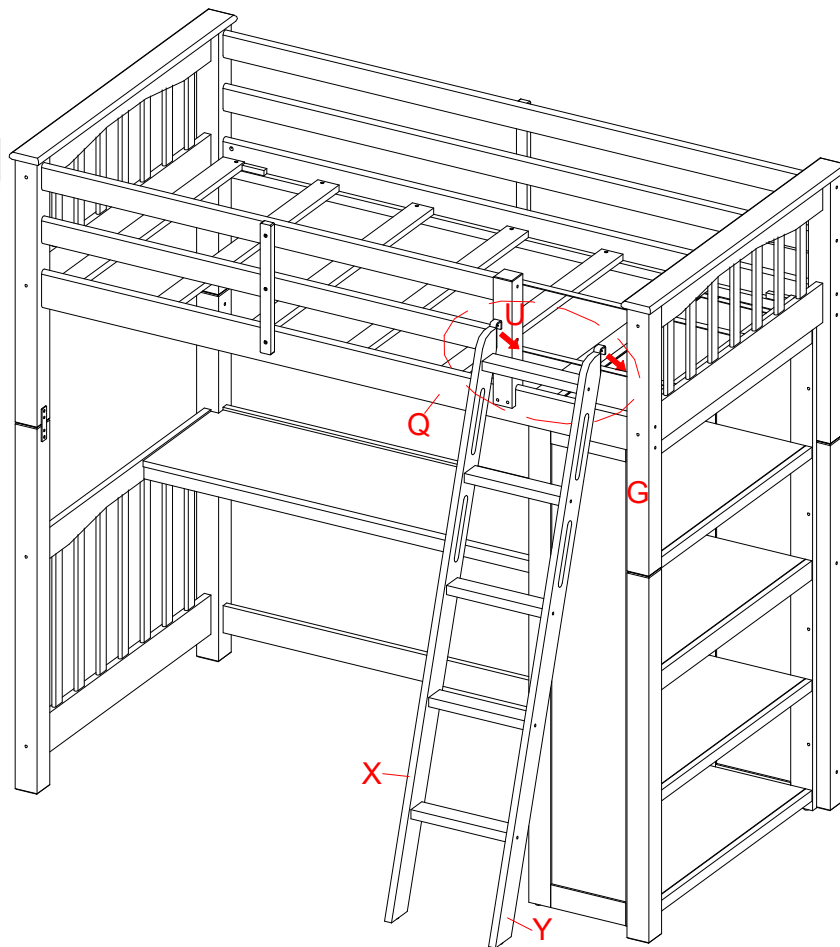
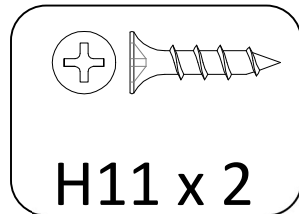
- a) Sujetar los postes superiores del piecero (G y H) a los paneles frontal y posterior del librero (D1 y E1) con 2 pernos especiales de 48 mm (H6).

Paso 24



- Insertar 2 clavijas de madera de 50 mm (H10) en los agujeros grandes de cada escalón (Z) en ambos extremos.
- Adjuntar los soportes izquierdo y derecho de la escalera (X y Y) a los escalones (Z) usando 10 pernos especiales de 48 mm (H6). Apretar los pernos con la llave hexagonal provista.

Paso 25



- a) Enganchar la escalera sobre la parte superior del riel lateral de la escalera (Q), entre el poste frontal del piecero superior (G) y el poste frontal del riel de seguridad (U) en la abertura provista. Asegurar los ganchos de la escalera en su lugar usando 2 pernos de 19 mm (H11).

SOLO USE LA ESCALERA EN ESTÉ LUGAR Y ASEGURAR CON 2 PERNOS. POR FAVOR ASEGURESE DE INSTALAR LA ESCALERA CONTRA EL POSTE FRONTAL DEL RIEL DE SEGURIDAD.

Solución de problemas

Problema	Posible Causa	Prevención / Solución
Hace ruido la cama	Los pernos estan flojos	Revisar los pernos y soportes periodicamente y apretar los de ser necesario

Instrucciones de cuidado & uso

Cuidado	No poner el mueble en luz solar directa, fuentes de calor o a la humedad.
	Use productos hechos específicamente para limpiar madera. Use un limpiador acondicionador para madera que no contenga ceras o silicones (probar el producto en un lugar invisible primero).
Uso	Revisar periódicamente para asegurar de que los componentes estén en el lugar correcto, libre de daño y conectados firmemente.
	Revisar los pernos periódicamente y apretarlos si es necesario.
	En caso de que su unidad sea manchada o dañada de otra forma durante el uso, le recomendamos hablar a un profesional para que le ayude.
	Líquidos derramados deben limpiarse inmediatamente, con una toalla suave evitando tallar.
	Nunca use agua para limpiar la unidad, ya que le puede dañar el acabado.
Usar solventes de cualquier tipo puede dañar el acabado del mueble.	

Información de garantía

Este producto tiene un (1) año de garantía en contra de defectos en el material y/o la obra de mano. Si usted tiene preguntas sobre la garantía o partes extras/de repuesto, por favor llame a nuestro número de llamada gratuita **1-866-942-5362** o mande un email a **parts@whalenfurniture.com**

NOTA: Por favor considere reciclar todo el material de empaque aplicable.

Whalen Furniture Manufacturing
1578 Air Wing Road, San Diego, CA 92154, USA
8:30 a.m. - 4:30 p.m., PST, Lunes a Viernes
www.whalenstyle.com