

## Canton Dresser

Stock # BHS336158813014



### **ADULT ASSEMBLY REQUIRED**

If you have any questions regarding assembly or if parts are missing, DO NOT return this item to the store where it was purchased. Please call our customer service number and have your instructions and parts list ready to provide the model name, part name or factory number:

**1-866-942-5362**

Pacific Standard Time: 8:30 a.m. - 4:30 p.m., Monday - Friday

Or visit our web site 24 hours a day, 7 days a week for product assistance at

**[www.whalenstyle.com](http://www.whalenstyle.com)**

Or e-mail your request to **[parts@whalenfurniture.com](mailto:parts@whalenfurniture.com)**

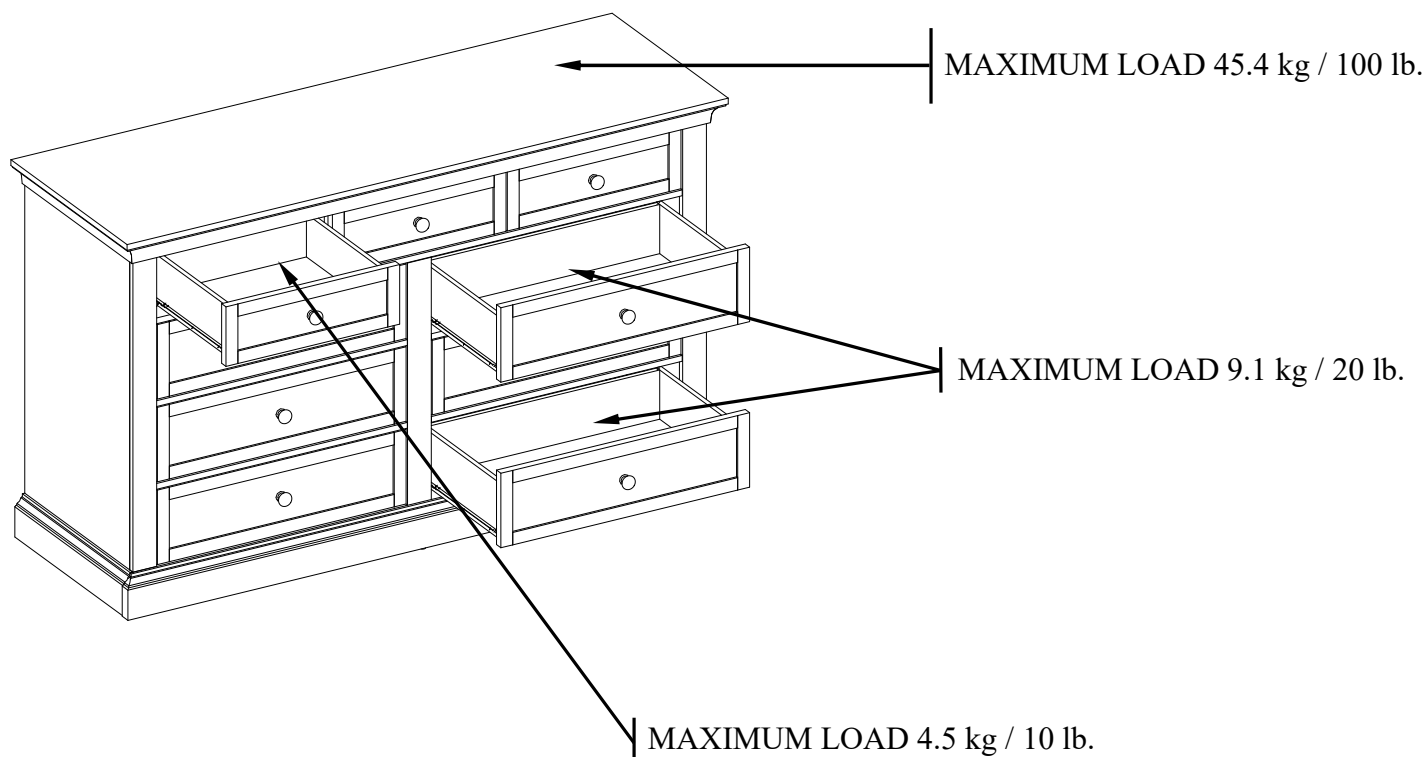
**THIS INSTRUCTION BOOKLET CONTAINS IMPORTANT SAFETY INFORMATION.  
PLEASE READ AND KEEP FOR FUTURE REFERENCE.**

## MAXIMUM RECOMMENDED WEIGHT LOADS

MANUFACTURER: Whalen Furniture Manufacturing

CATALOG: Canton Dresser

MODEL # BHS336158813014



### **⚠ WARNING**

THIS UNIT IS INTENDED ONLY FOR USE WITHIN THE MAXIMUM WEIGHTS INDICATED. USE WITH LOAD HEAVIER THAN THE MAXIMUM WEIGHTS INDICATED MAY RESULT IN INSTABILITY, CAUSING POSSIBLE INJURY.

### **SPECIAL NOTE**

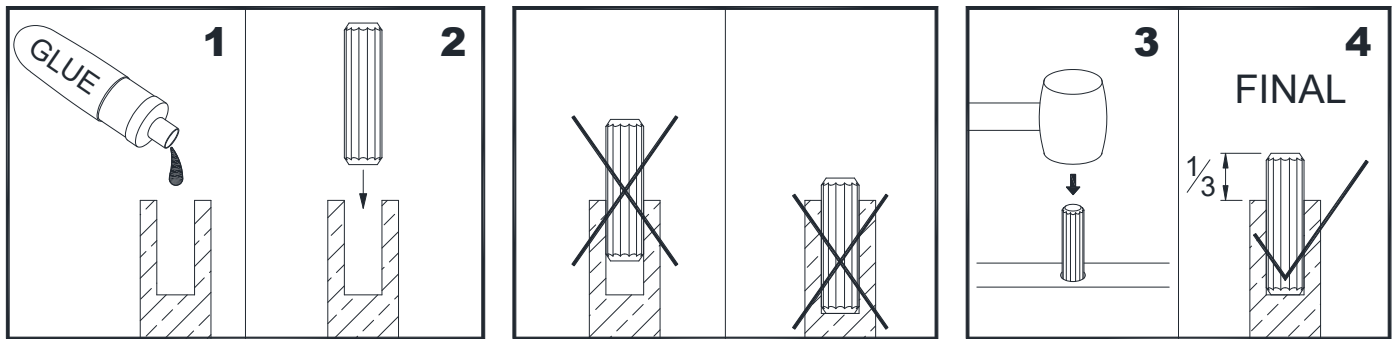
Please read the instruction sheets completely before assembly. Examine all packaging material before discarding carton. Remove any remaining staples from the carton before discarding. Remove all parts from carton and separate into groups as indicated on part list. Please ensure all parts are included prior to assembly. Use of power tools to complete assembly is not recommended.

## IMPORTANT

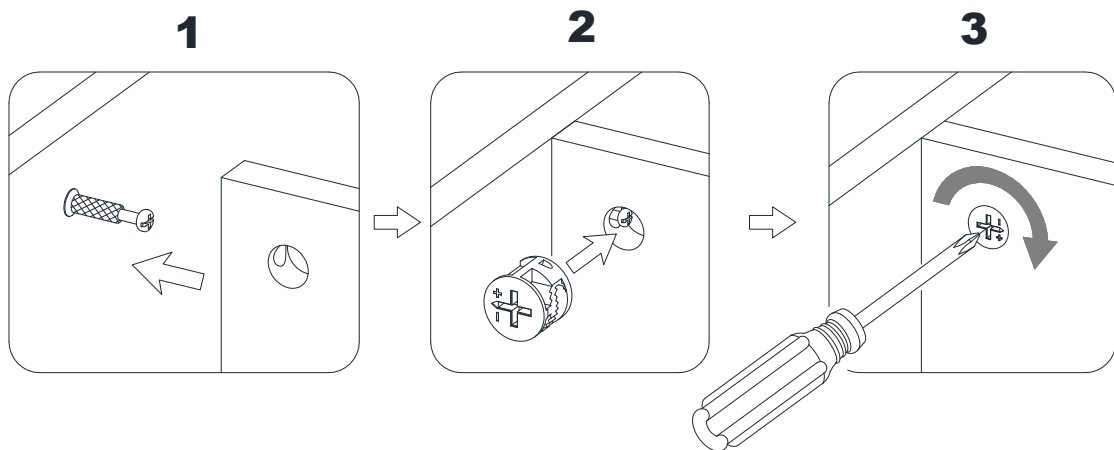
**Before you begin:** Open, identify and count all parts prior to assembly. Lay out parts on a flat and non-abrasive surface. You will need the parts identified on page 4, 5 and 6 of this instruction manuals.

**NOTE:** IT IS VERY IMPORTANT TO USE GLUE WITH DOWELS. EXCESS GLUE CAN BE WIPED OFF WITH DAMP CLOTH.

Insert the dowel at least halfway by tapping lightly with a rubber mallet, IF NECESSARY.



## CAM LOCK SYSTEM OPERATION



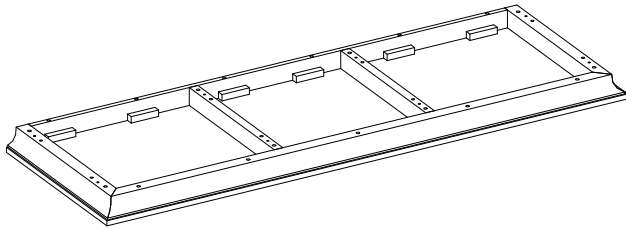
### HOW THE KNOCK DOWN (KD) ASSEMBLY SYSTEM WORKS

1. Screw the Cam Bolt into the threaded inserts on the panel. Connect both panels together; making sure Cam Bolt goes into the pre-drilled hole on the end of panel for Cam Lock.
2. Insert the Cam Lock into the pre-drilled large hole on the panel. Make sure the arrow on the face of Cam Lock faces out and points towards Cam Bolt.
3. Take a Phillips screwdriver and rotate the Cam Lock clockwise to lock the Cam Bolt in place.

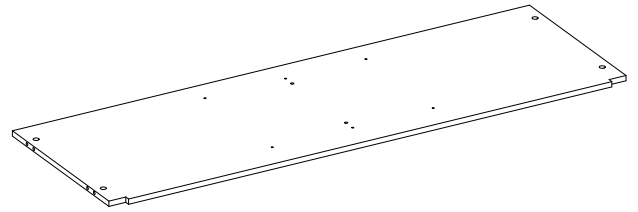
**You are now ready to assemble the KD unit.**

## Parts and Hardware List

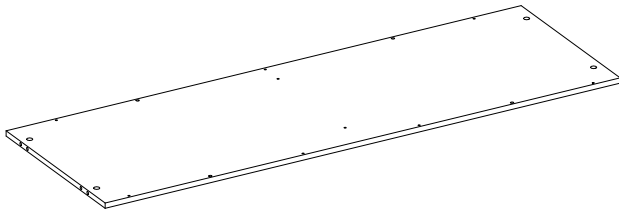
Please read completely through the instructions and verify that all listed parts and hardware are present before beginning assembly.



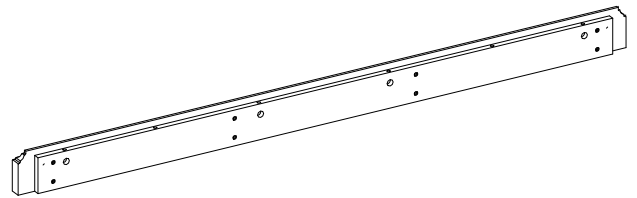
A- Top Panel  
(Qty. 1)



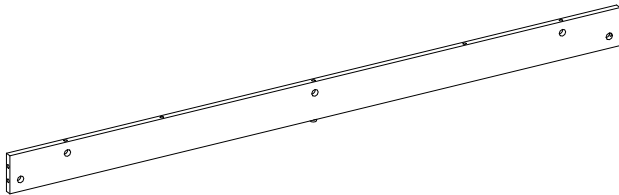
B- Fixed Panel  
(Qty. 1)



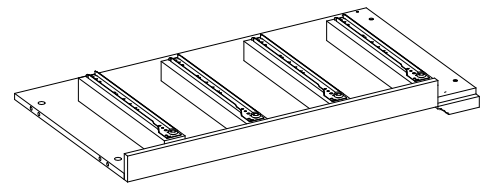
C- Bottom Panel  
(Qty. 1)



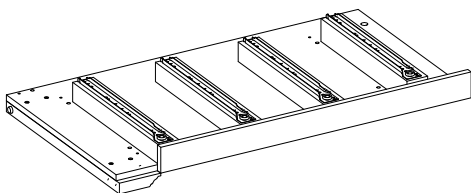
D- Bottom Front Skirting  
(Qty. 1)



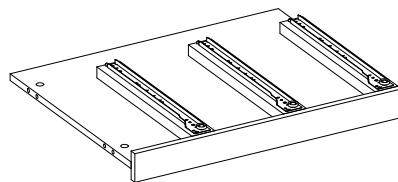
E- Bottom Back Skirting  
(Qty. 1)



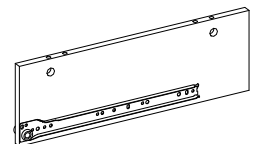
F- Left Side Panel  
(Qty. 1)



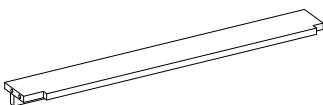
G- Right Side Panel  
(Qty. 1)



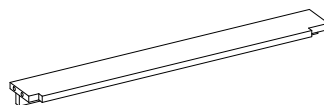
H- Lower Partition Panel  
(Qty. 1)



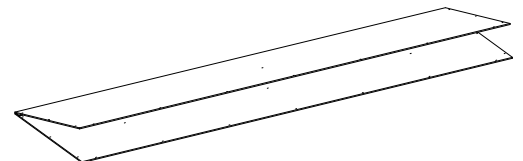
I- Upper Partition Panel  
(Qty. 2)



J- Left Crossbar  
(Qty. 2)



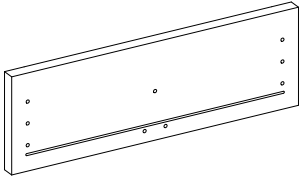
K- Right Crossbar  
(Qty. 2)



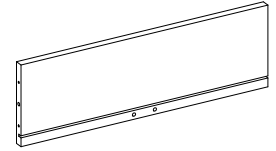
L- Back Panel  
(Qty. 1)

## Parts and Hardware List

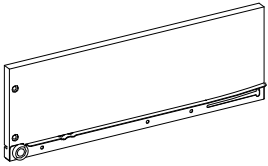
Please read completely through the instructions and verify that all listed parts and hardware are present before beginning assembly.



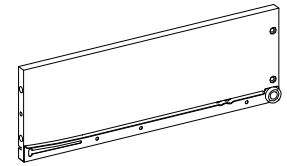
M- Small Drawer Front Panel  
(Qty. 3)



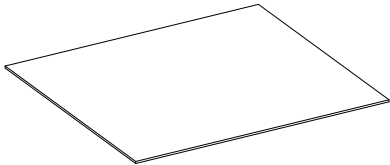
N- Small Drawer Back Panel  
(Qty. 3)



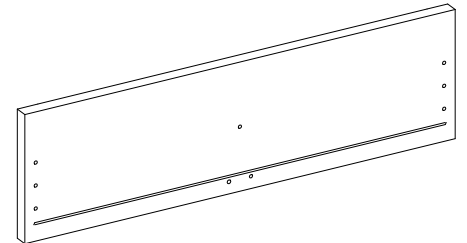
O- Small Drawer Left Side Panel  
(Qty. 3)



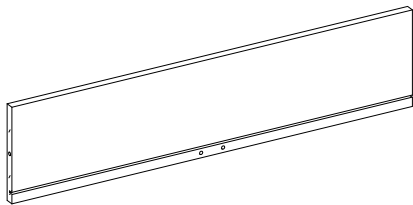
P- Small Drawer Right Side Panel  
(Qty. 3)



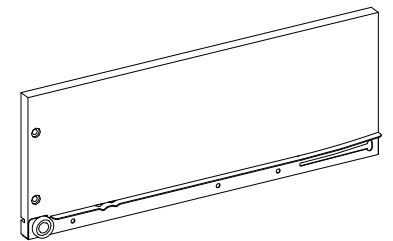
Q- Small Drawer Bottom Panel  
(Qty. 3)



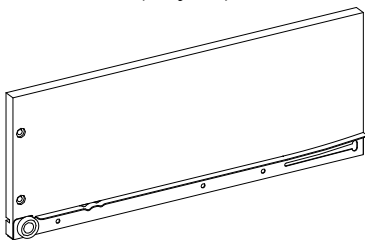
R- Large Drawer Front Panel  
(Qty. 6)



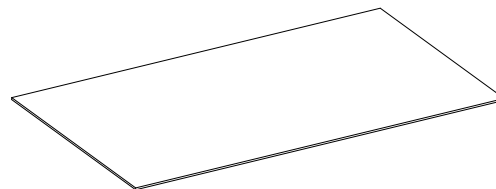
S- Large Drawer Back Panel  
(Qty. 6)



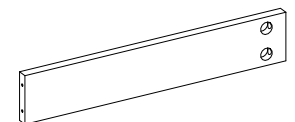
T- Large Drawer Left Side Panel  
(Qty. 6)



U- Large Drawer Right Side Panel  
(Qty. 6)



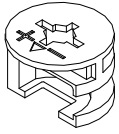
V- Large Drawer Bottom Panel  
(Qty. 6)



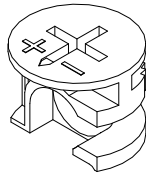
W- Drawer Bottom Support  
(Qty. 9)

## Parts and Hardware List

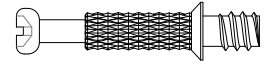
Please read completely through the instructions and verify that all listed parts and hardware are present before beginning assembly.



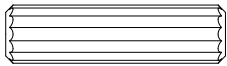
(1) Small Cam Lock  
(Qty. 54+2 extra)



(2) Large Cam Lock  
(Qty. 35+1 extra)



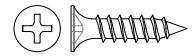
(3) Cam Bolt  
(Qty. 89+4 extra)



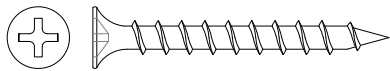
(4) M8 x 30 mm Large Wood Dowel  
(Qty. 38+1 extra)



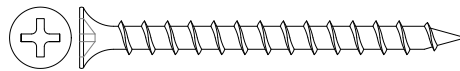
(5) M5 x 30 mm Small Wood Dowel  
(Qty. 36+1 extra)



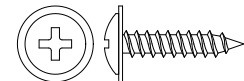
(6) M3.5 x 15 mm Screw  
(Qty. 4+1 extra)



(7) M3.5 x 38 mm Screw  
(Qty. 54+2 extra)



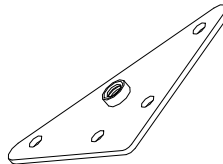
(8) M4 x 50 mm Screw  
(Qty. 6+1 extra)



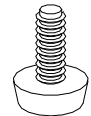
(9) M3.5 x 15 mm Washer Head Screw  
(Qty. 30+1 extra)



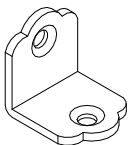
(10) M3.5 x 15 mm Pan Head Screw  
(Qty. 8+1 extra)



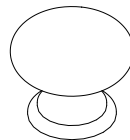
(11) Triangle Metal Plate  
(Qty. 2)



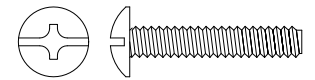
(12) Floor Leveler  
(Qty. 2)



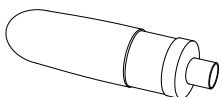
(13) L-shaped Bracket  
(Qty. 2)



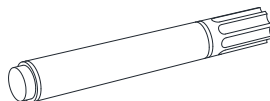
(14) Knob  
(Qty. 9)



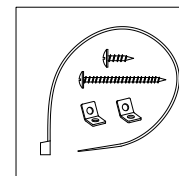
(15) 5/32'' x 22 mm Bolt  
(Qty. 9)



Glue  
(Qty. 2)



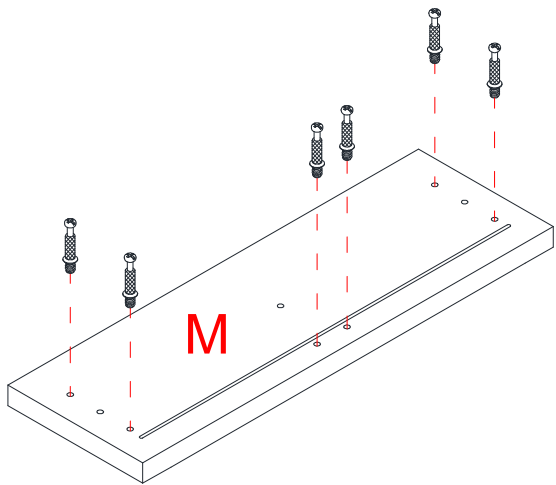
Touch-up Pen  
(Qty. 1)



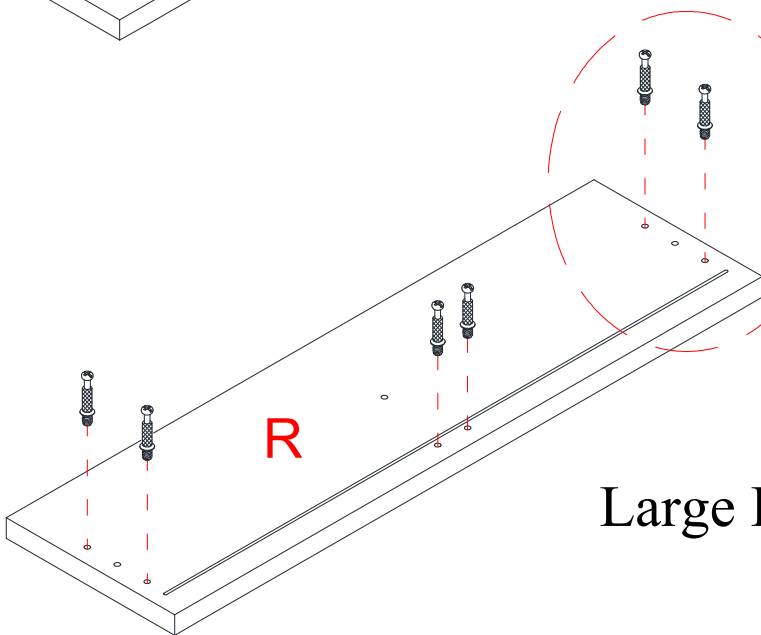
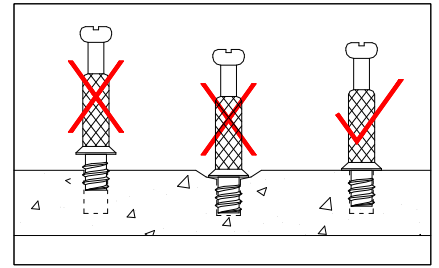
Tipping Restraint Hardware Kit (Qty.2)  
(Included in plastic bag)

Tools required (not provided): Phillips screwdriver, stud finder, tape measure, pencil, power drill and 1/8'' drill bit.

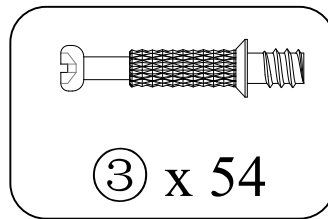
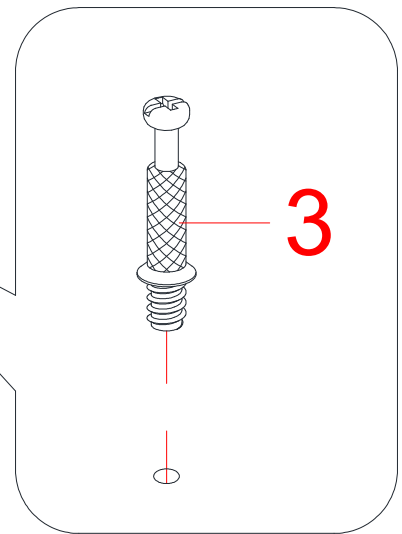
## Assembly Instructions



Small Drawer  
x 3



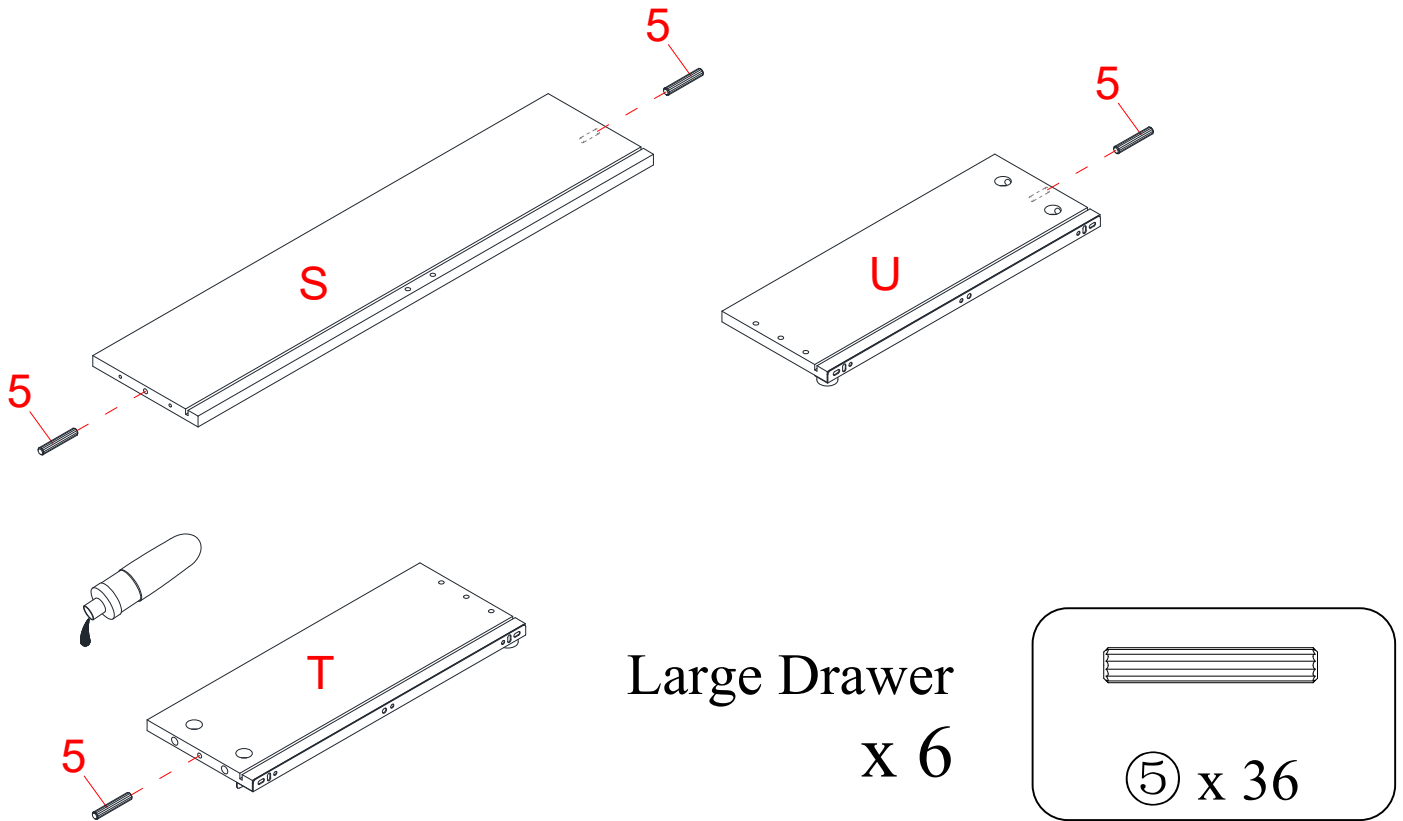
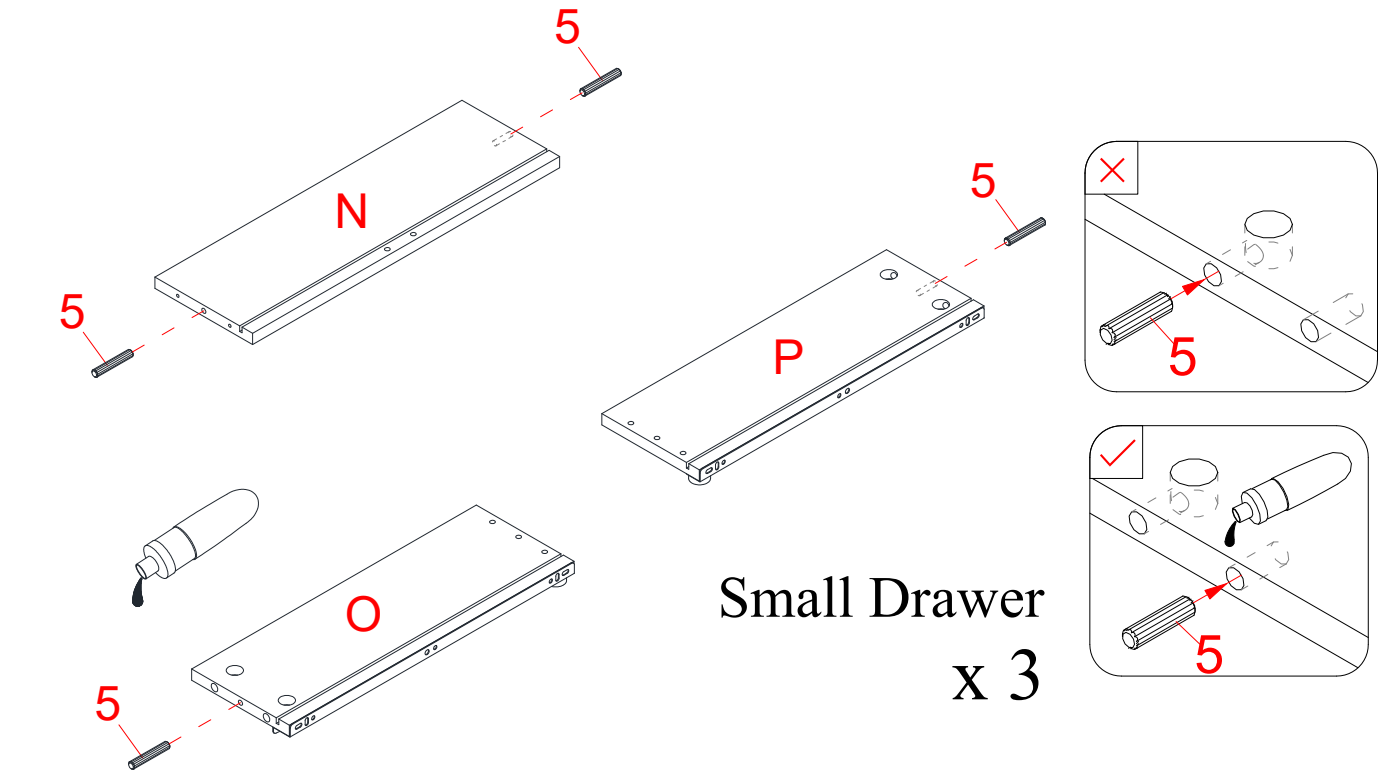
Large Drawer  
x 6



**NOTE:** Please do not fully tighten all cam locks and screws until you finish assembling all parts. Once assembled, go back and fully tighten all cam locks and screws. This will make the assembly easier.

1. Unpack the unit and confirm that you have all the hardware and required parts listed. Assemble the unit on a carpeted floor or the empty carton to avoid any scratch.
2. Securely screw the Cam Bolts (3) into the designated small holes on the Drawer Front Panels (M and R) using a Phillips Screwdriver.

## Assembly Instructions



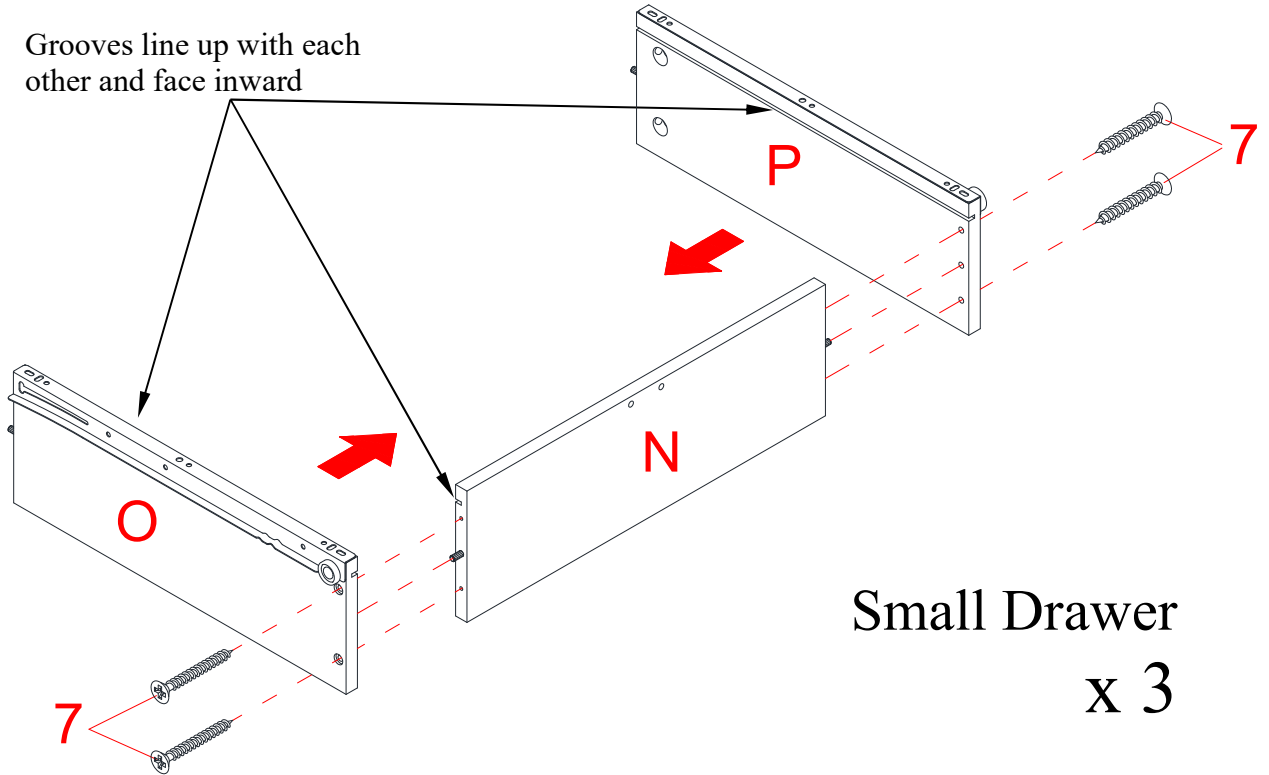
3. Glue the Small Wood Dowels (5) into the inner holes on the Drawer Back Panels (N and S) and Drawer Side Panels (O, P, T and U).

**NOTE:** It is very important to use a small amount of glue on both ends of dowels and wipe away the excess glue immediately.

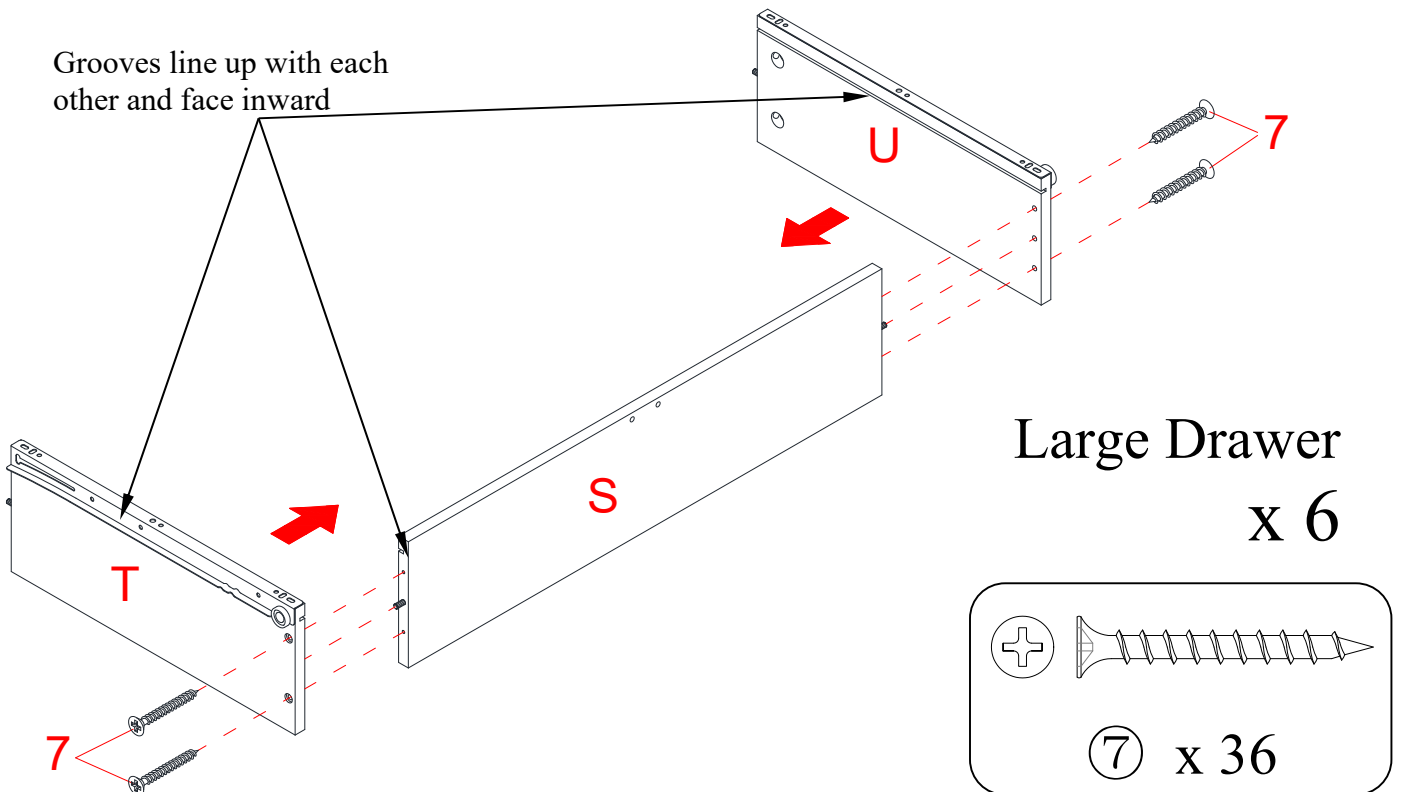


## Assembly Instructions

Grooves line up with each other and face inward

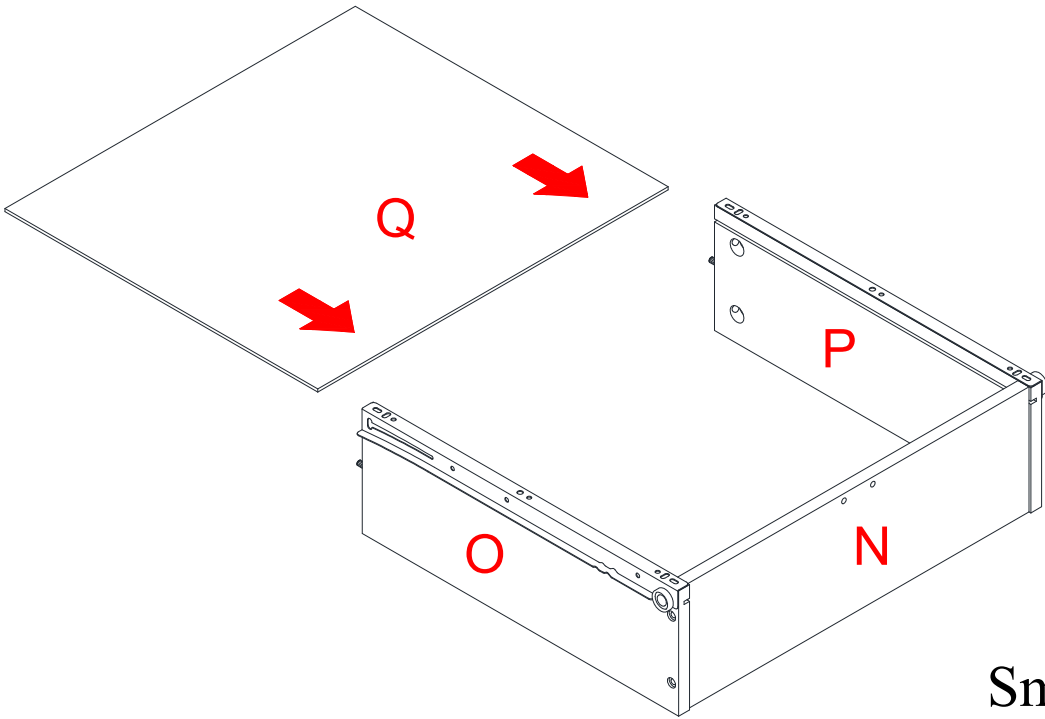


Grooves line up with each other and face inward

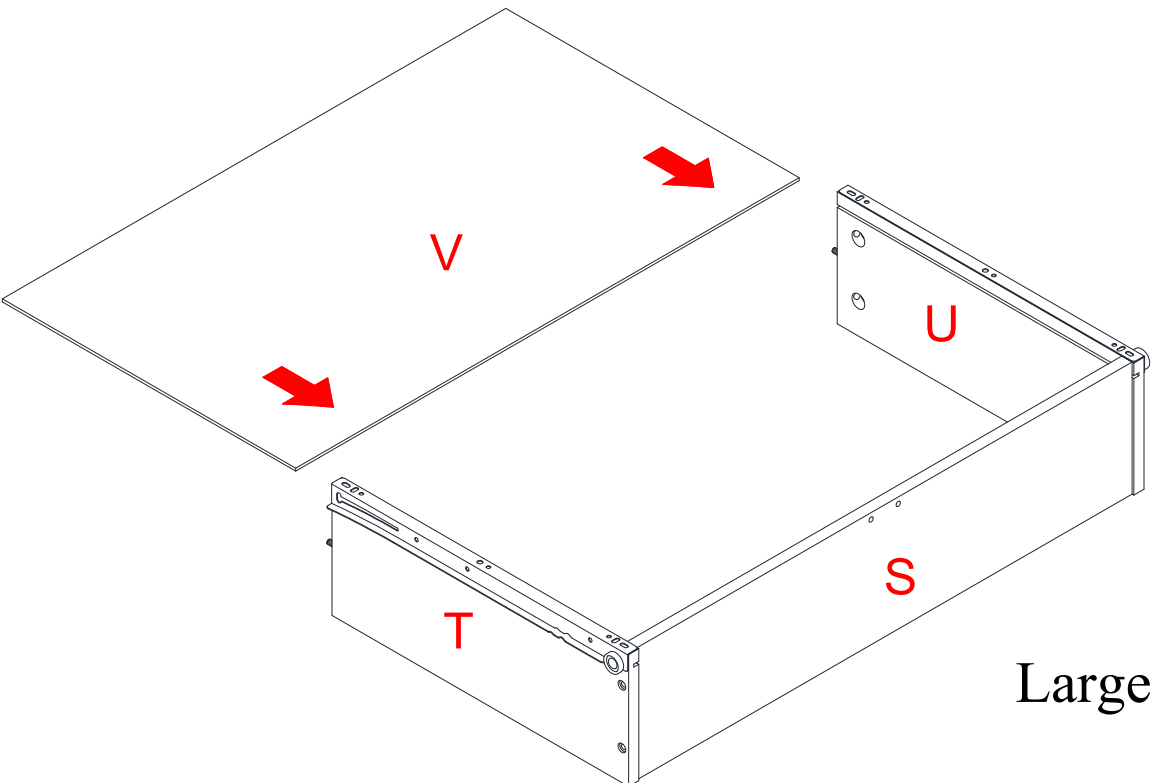


4. Attach each Small Drawer Back Panel (N) between the Small Drawer Side Panels (O and P) with four 38 mm Screws (7).
5. Repeat the same procedure to attach each Large Drawer Back Panel (S) between the Large Drawer Side Panels (T and U).

**Assembly Instructions**



Small Drawer  
x 3

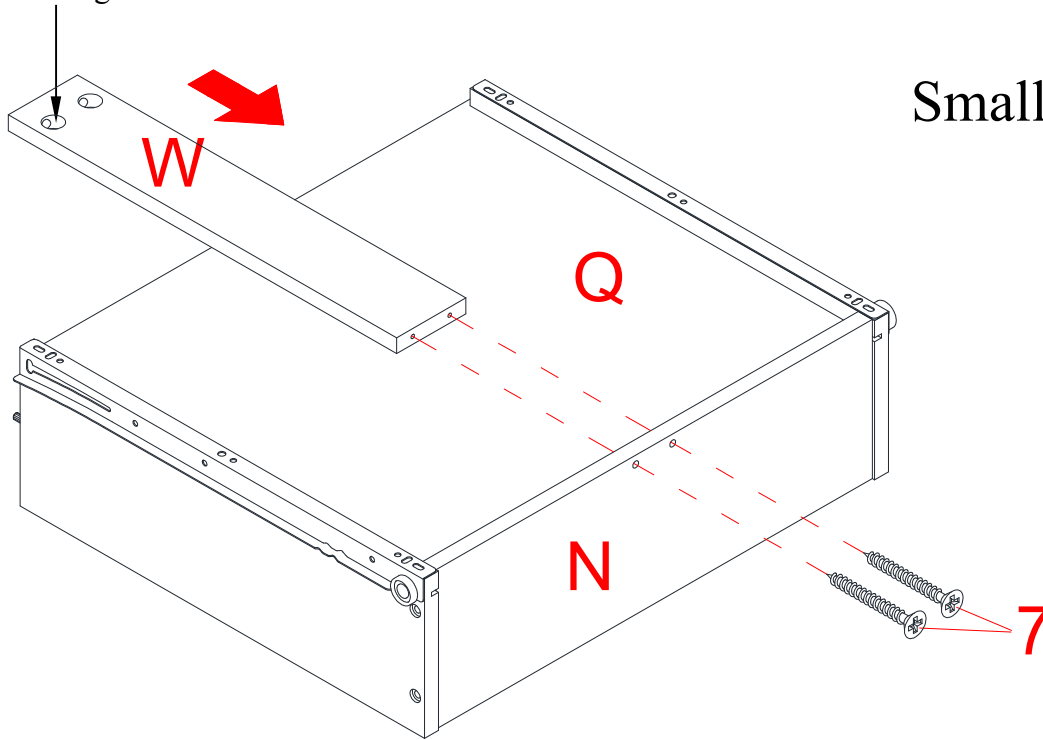


Large Drawer  
x 6

- 6. Slide each Small Drawer Bottom Panel (Q) into the grooves on both Small Drawer Side Panels (O and P) until fully inserted into the Small Drawer Back Panel (N).
- 7. Repeat the same procedure for the Large Drawer Bottom Panels (V).

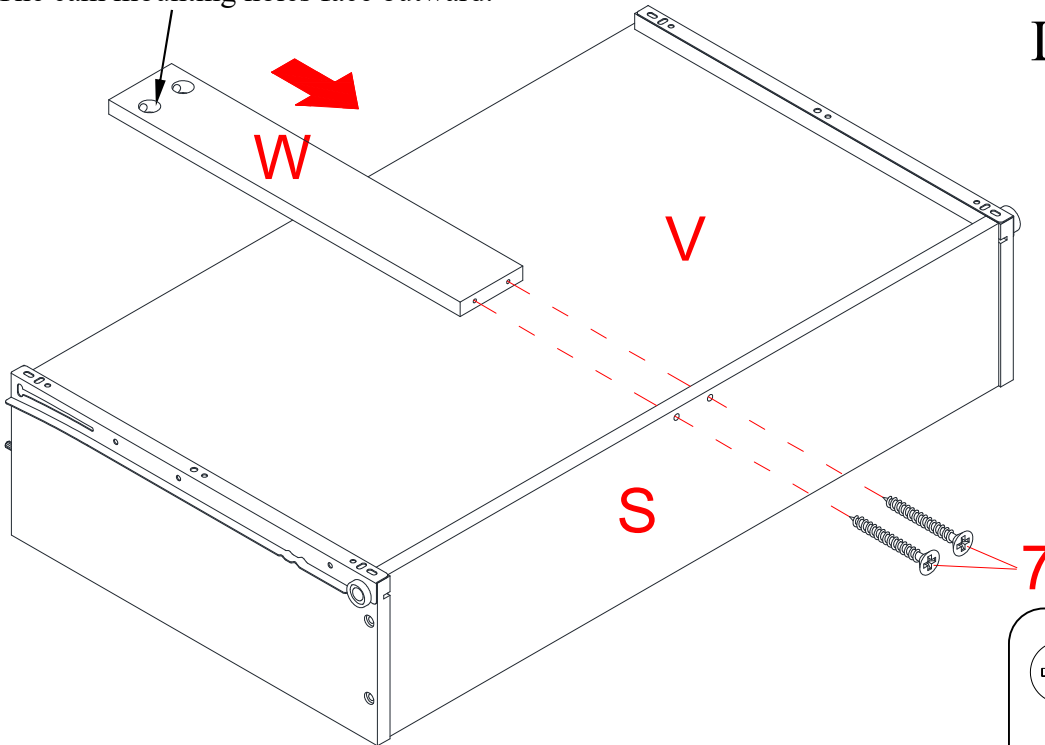
## Assembly Instructions

The cam mounting holes face outward.

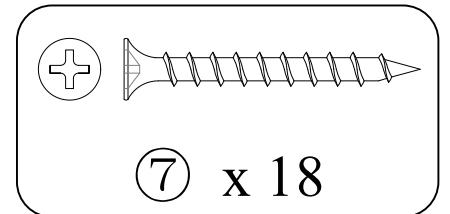


Small Drawer  
x 3

The cam mounting holes face outward.

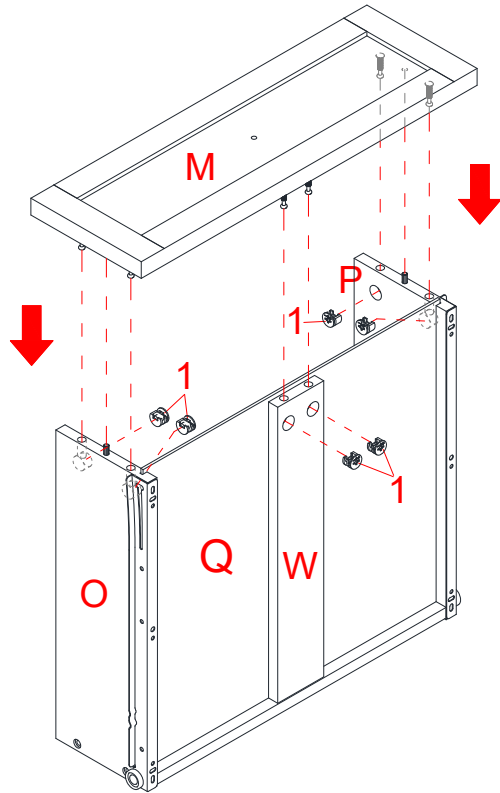
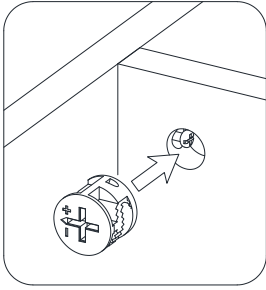


Large Drawer  
x 6

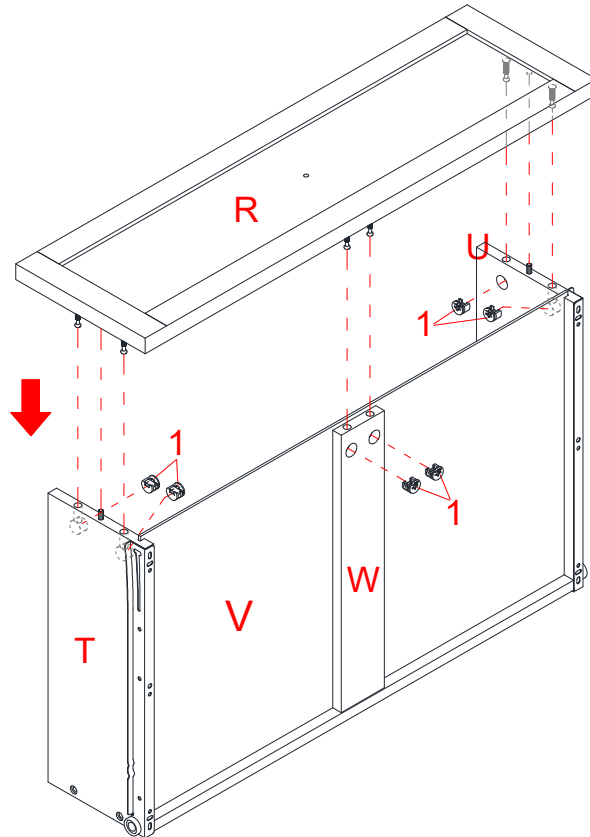


8. Fasten one Drawer Bottom Support (W) to each Drawer Back Panel (N and S) with two 38mm Screws (7).

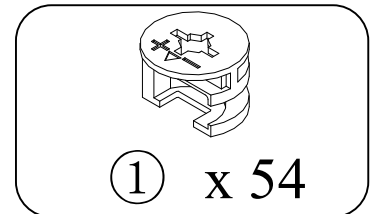
## Assembly Instructions



Small Drawer  
x 3



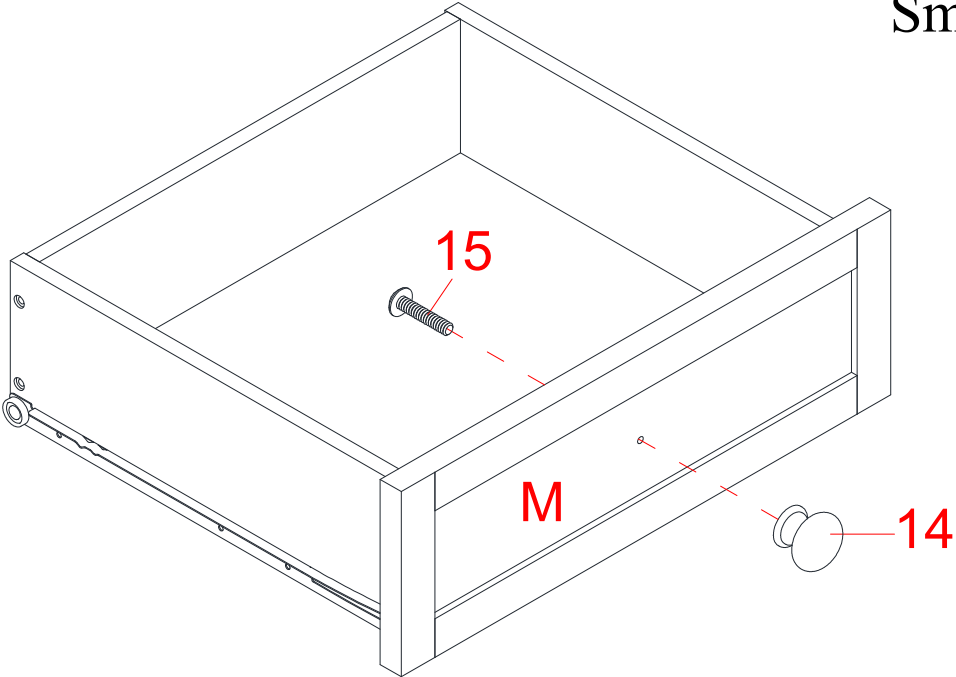
Large Drawer  
x 6



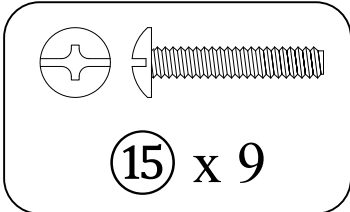
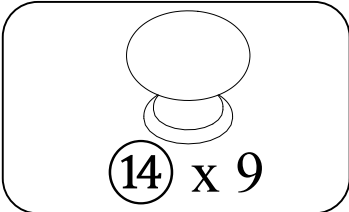
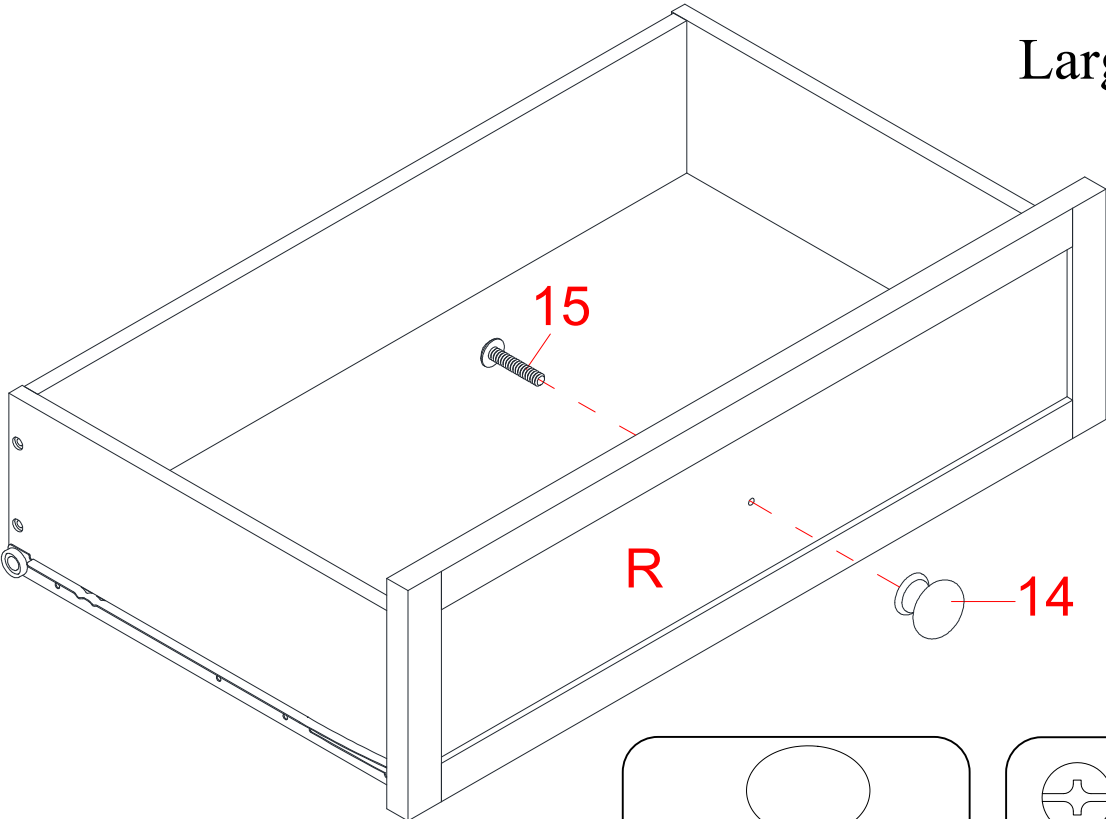
9. Position the Drawer Front Panels (M and R) onto the inserted Wood Dowels and fasten it in place by engaging 6 Small Cam Locks (1). (Refer to page 3 on Cam Lock system operation supplement). Make sure that the Drawer Bottom Panels (Q and V) fits securely into the groove of the Drawer Front Panels (M and R).

**Assembly Instructions**

**Small Drawer  
x 3**

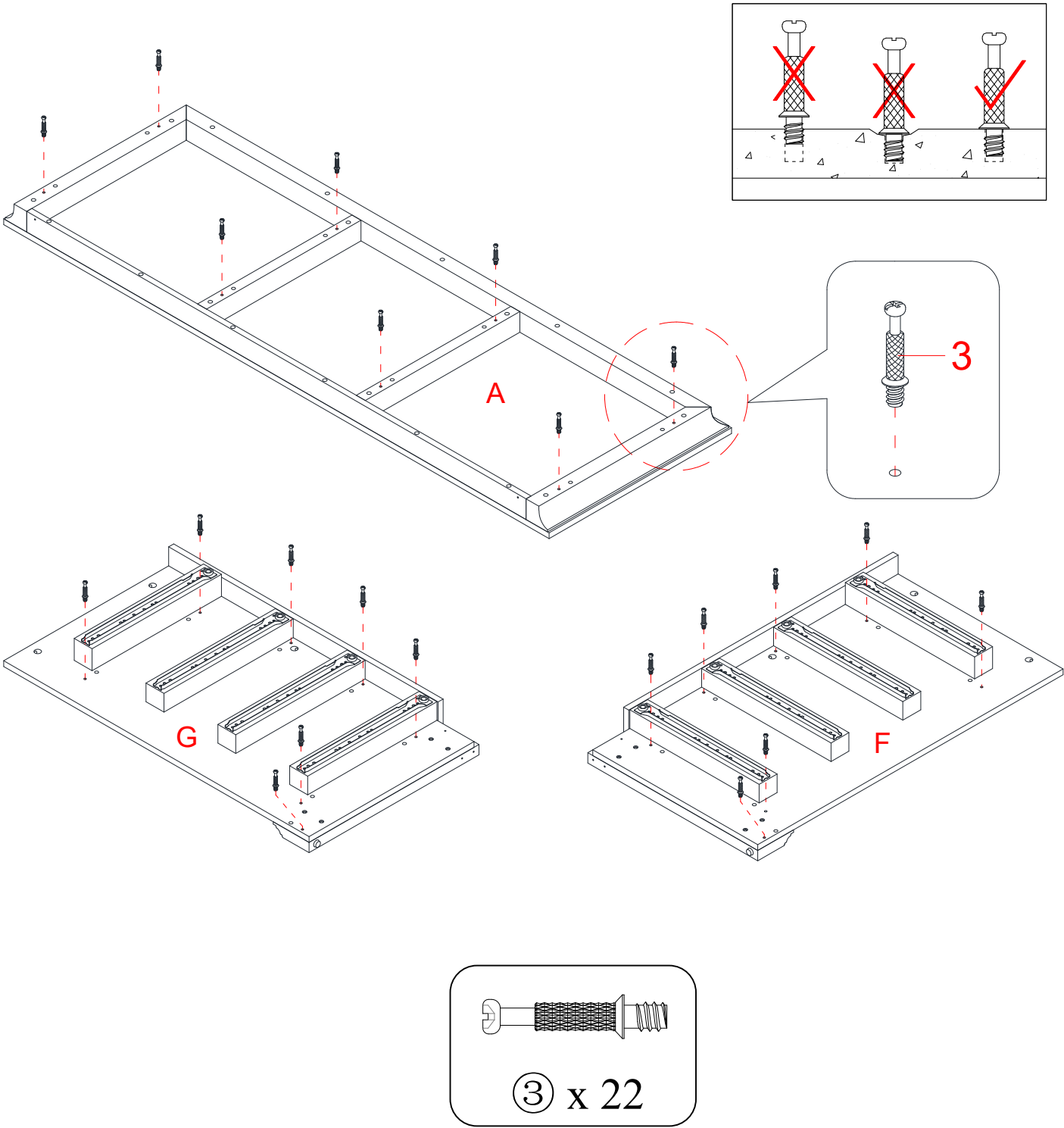


**Large Drawer  
x 6**



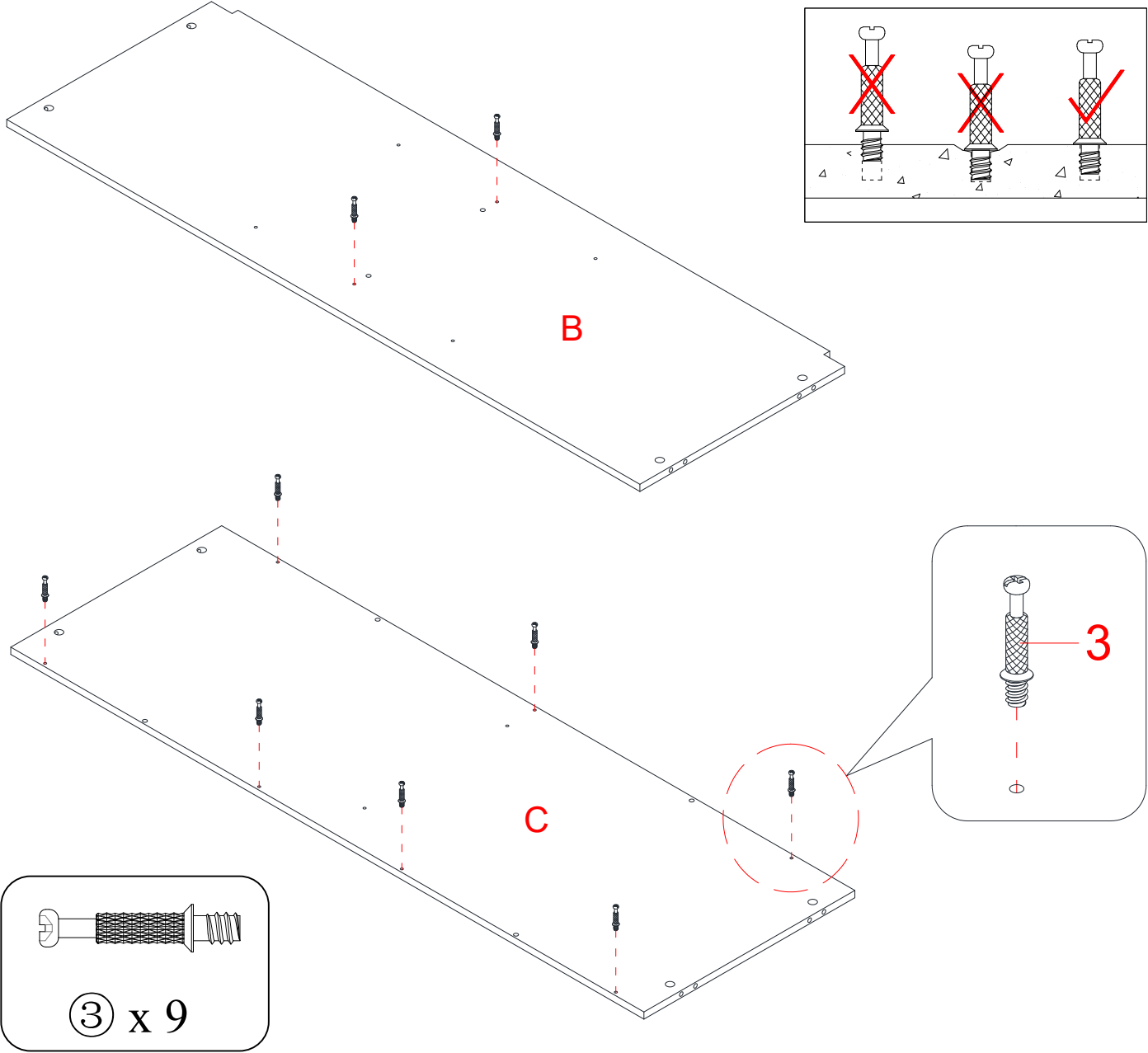
10. Install one Knob (14) to the front of each Drawer Front Panel (M and R) with one 22 mm Bolt (15).

# Assembly Instructions



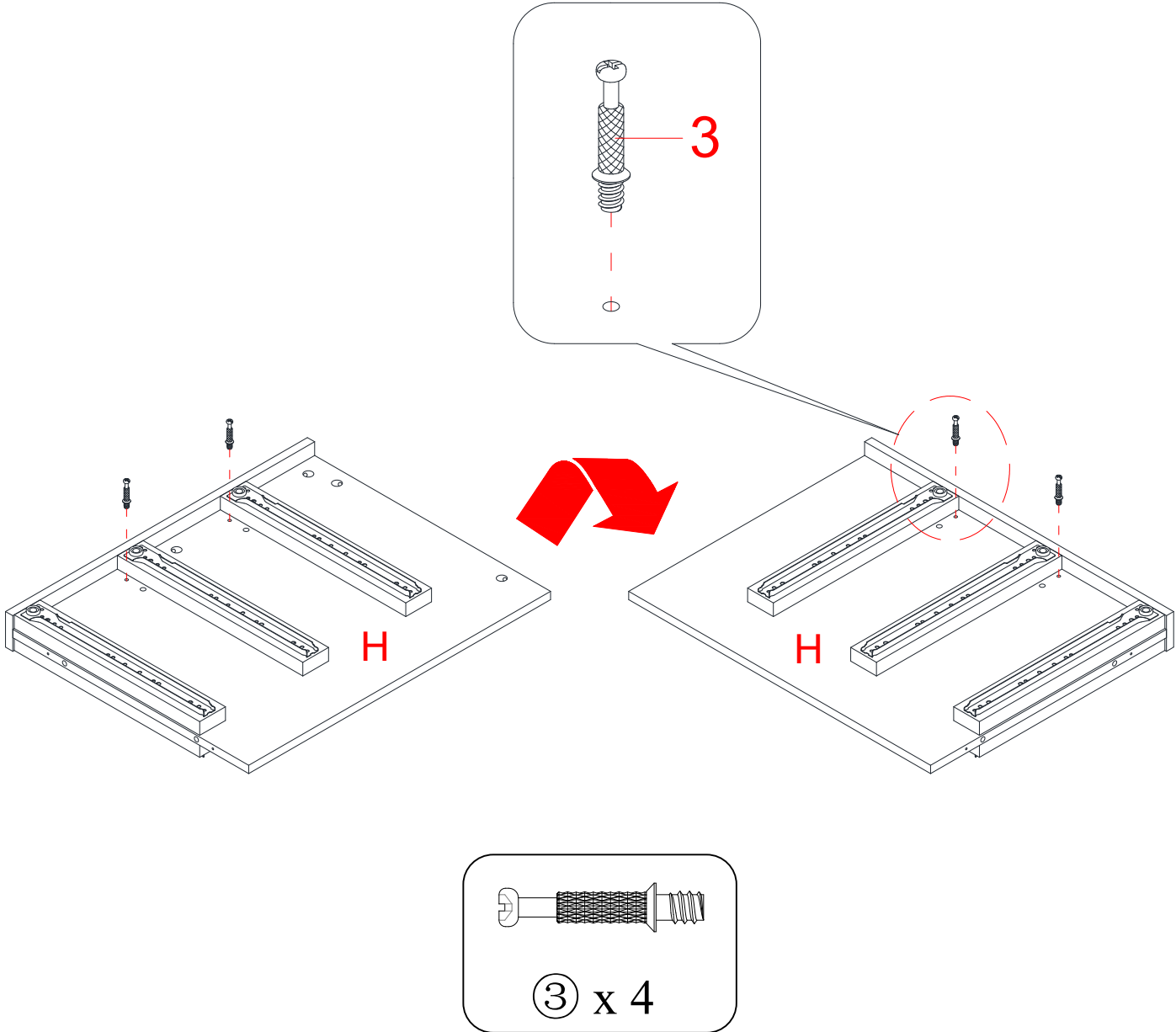
11. Securely screw the Cam Bolts (3) into the designated small holes on the Top Panel (A) and Side Panels (F and G) using a Phillips Screwdriver.

# Assembly Instructions



12. Securely screw the Cam Bolts (3) into the designated small holes on the Fixed Panel (B) and Bottom Panel (C) using a Phillips Screwdriver.

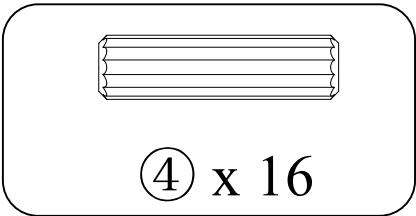
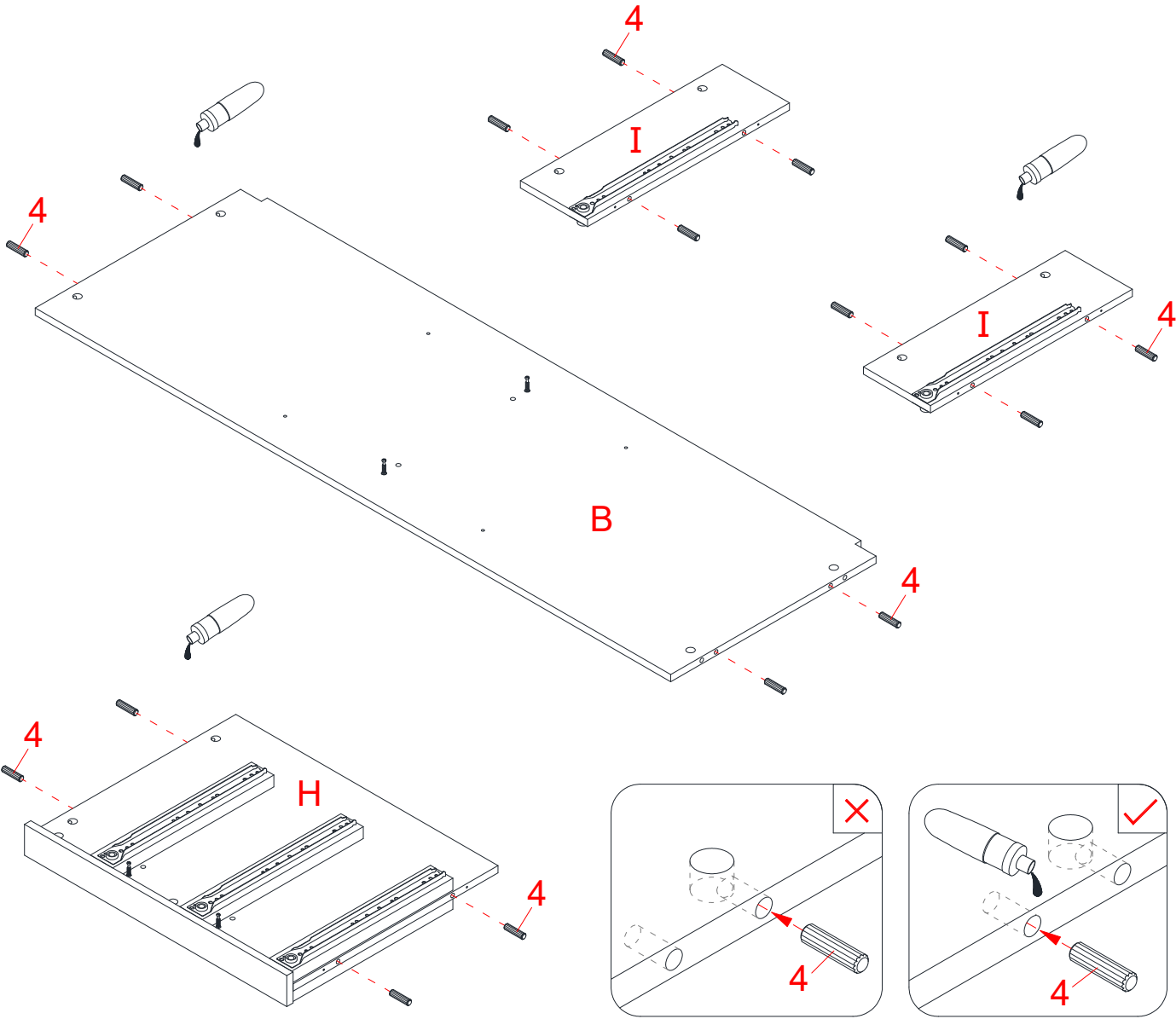
# Assembly Instructions



13. Securely screw four Cam Bolts (3) into the designated small holes on both sides of Lower Partition Panel (H) using a Phillips Screwdriver.



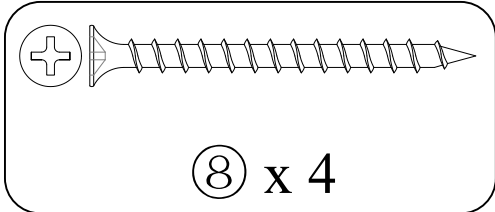
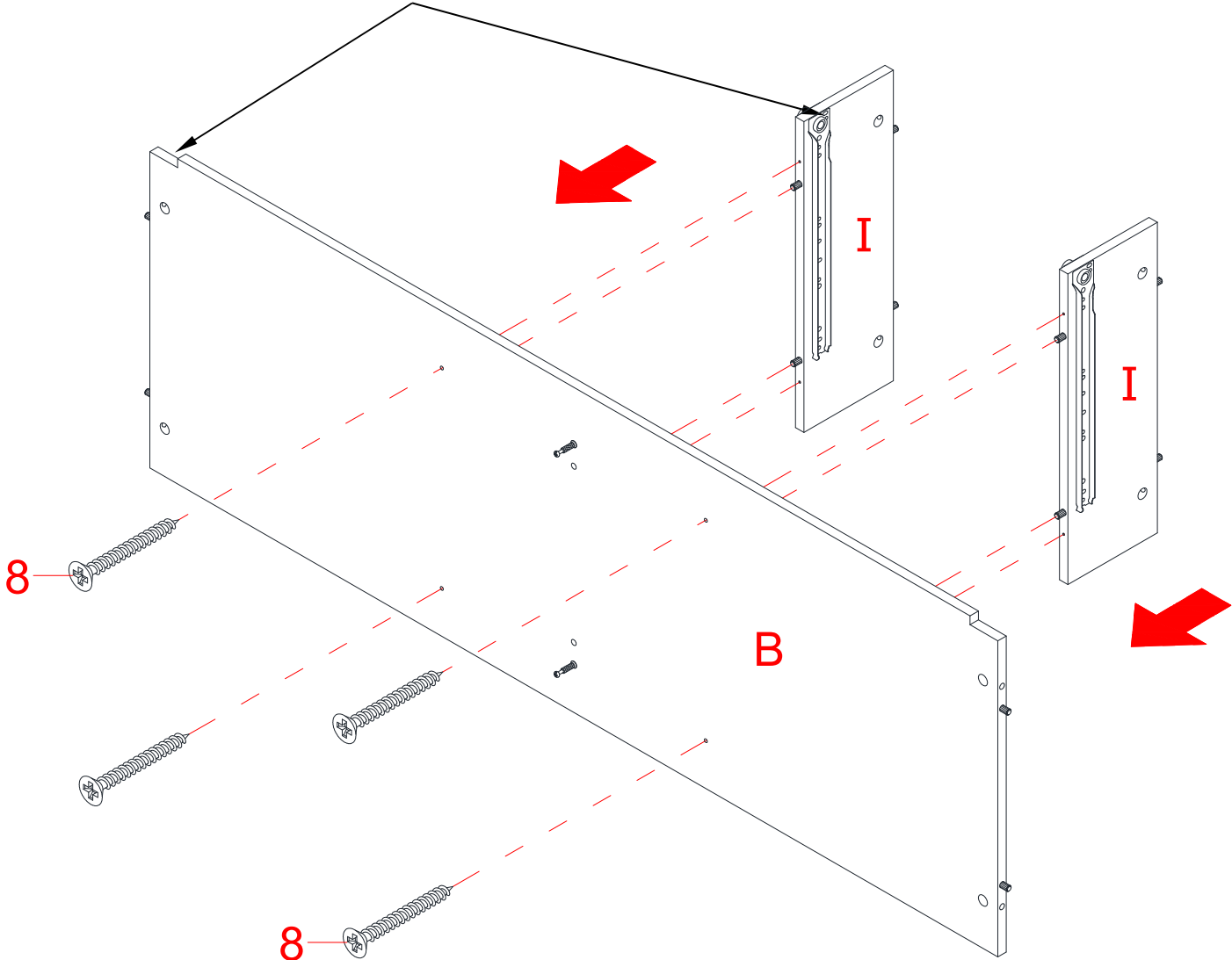
# Assembly Instructions



14. Glue the Large Wood Dowels (4) into the inner holes on the Fixed Panel (B) and Partition Panels (H and I) as shown.

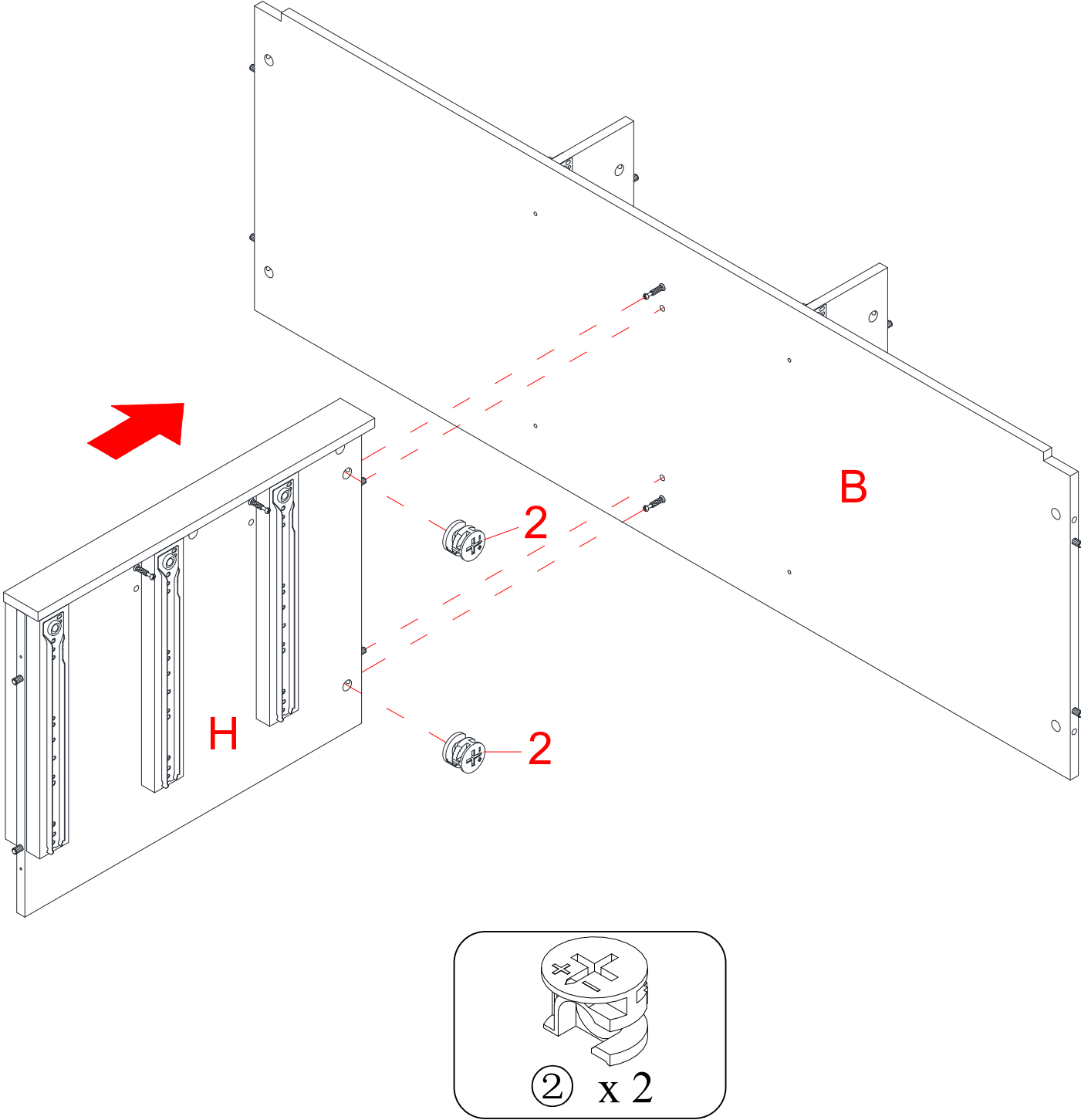
# Assembly Instructions

The rollers and cutouts are oriented at the front side.



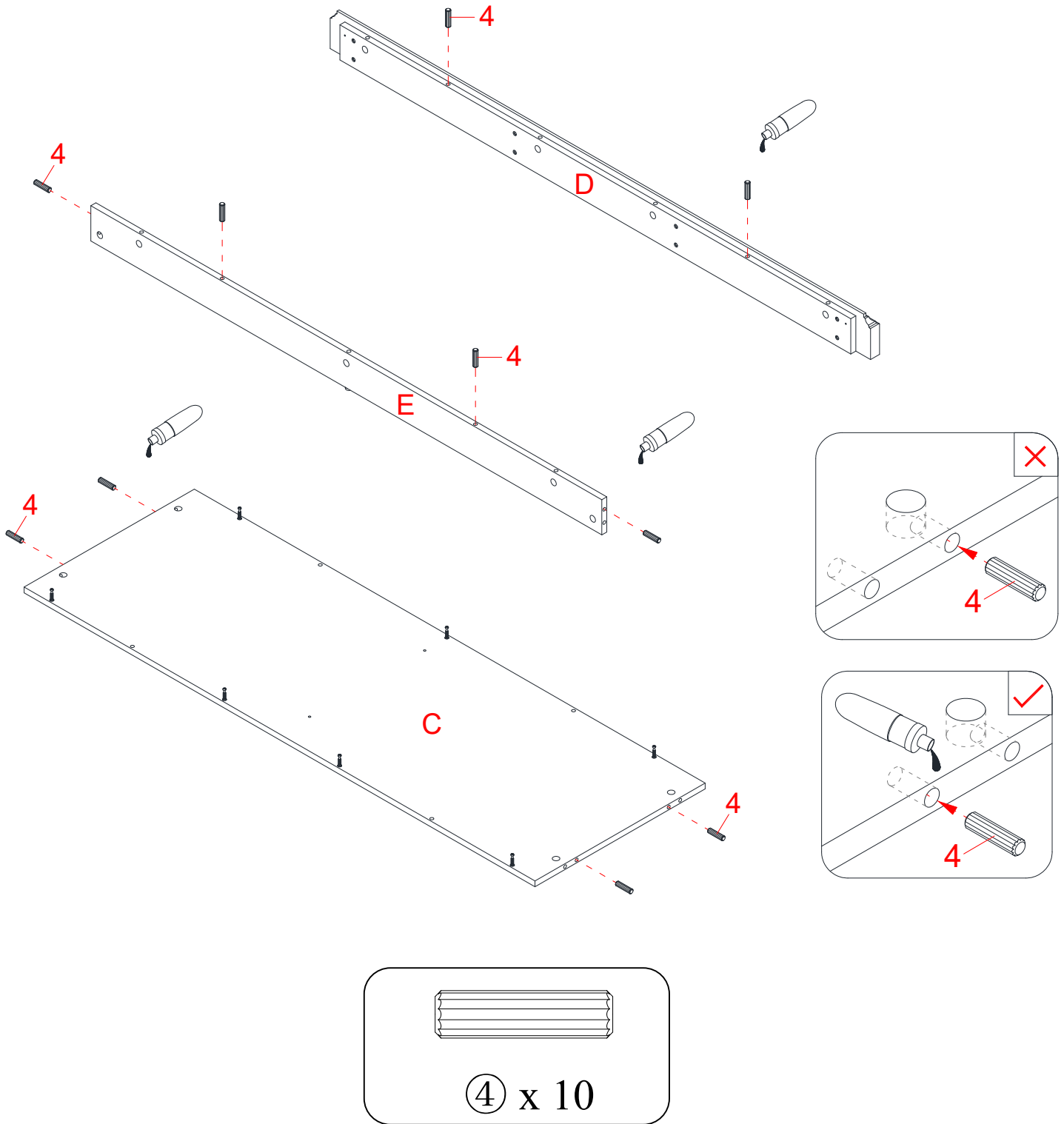
15. Orient and attach the Upper Partition Panels (I) to the Fixed Panel (B) with four 50mm Screws (8).

# Assembly Instructions



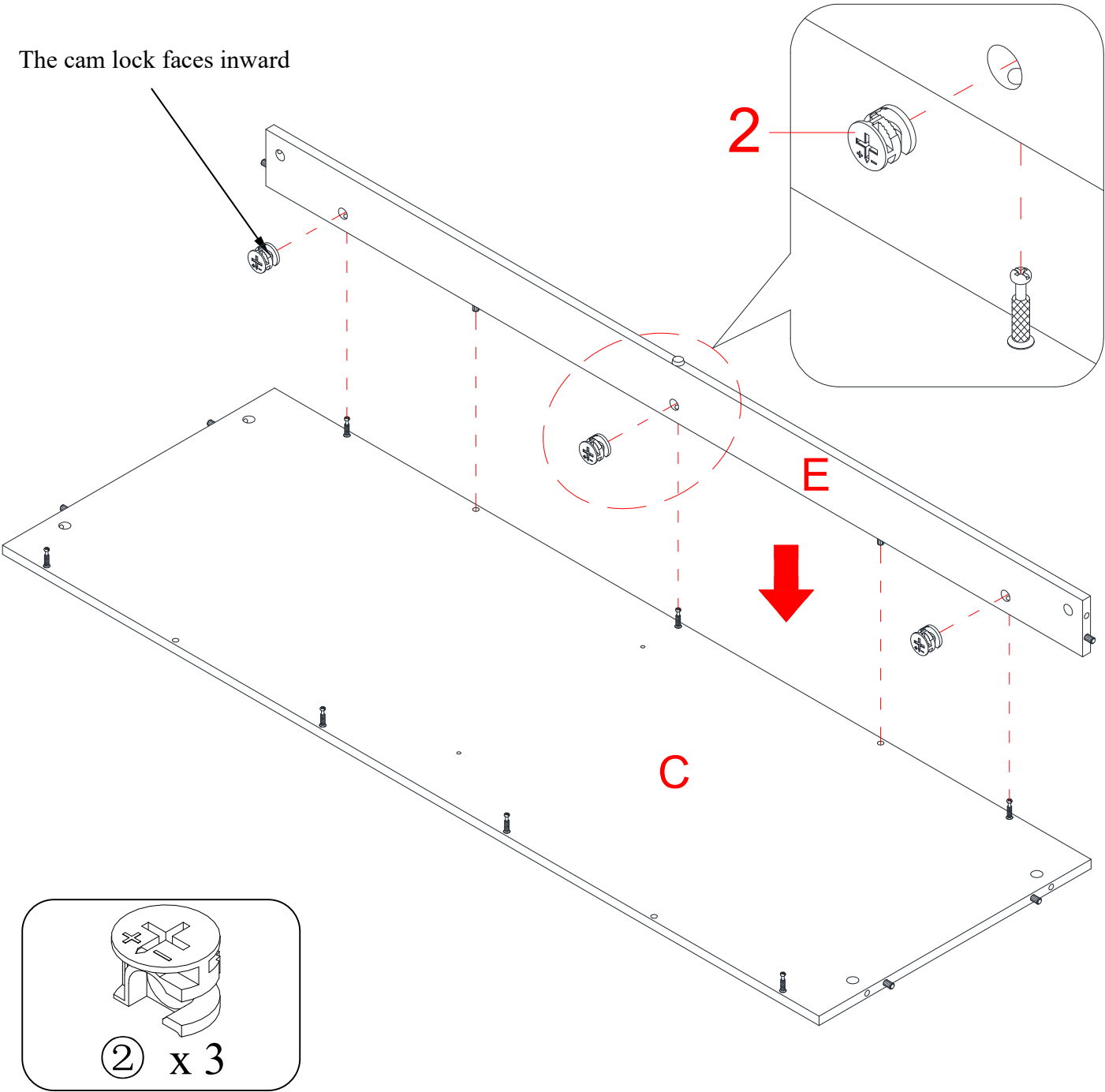
16. Align and attach the Lower Partition Panel (H) to the Fixed Panel (B) by engaging 2 Large Cam Locks (2).

## Assembly Instructions



17. Glue the Large Wood Dowels (4) into the inner holes on the Bottom Panel (C) and Bottom Skirtings (D and E).

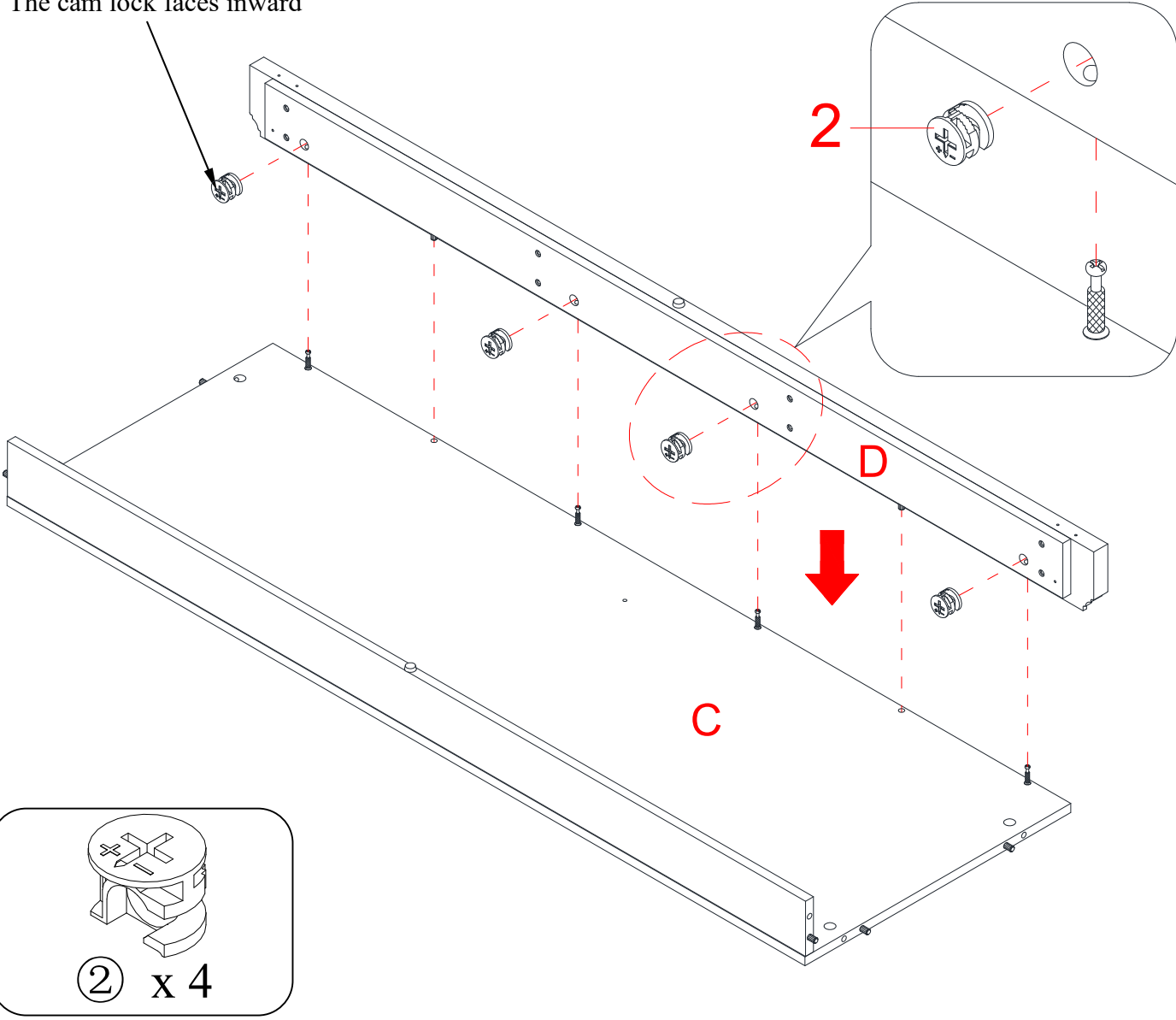
# Assembly Instructions



18. Attach the Bottom Back Skirting (E) to the Bottom Panel (C) by engaging 3 Large Cam Locks (2).

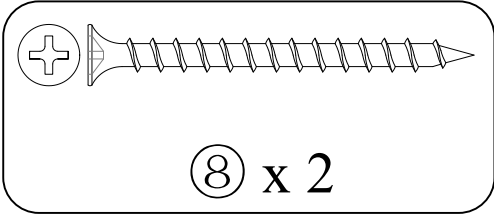
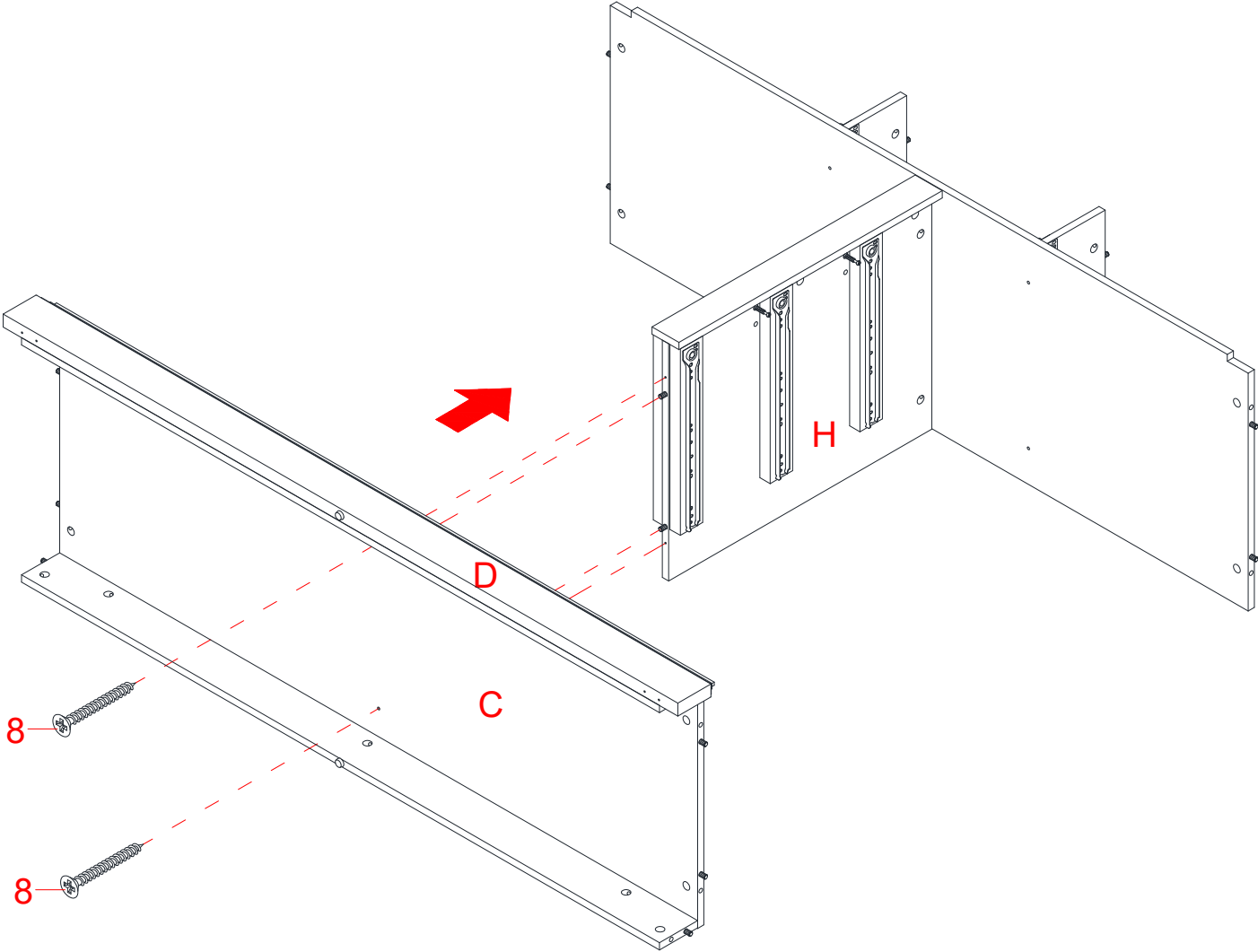
# Assembly Instructions

The cam lock faces inward



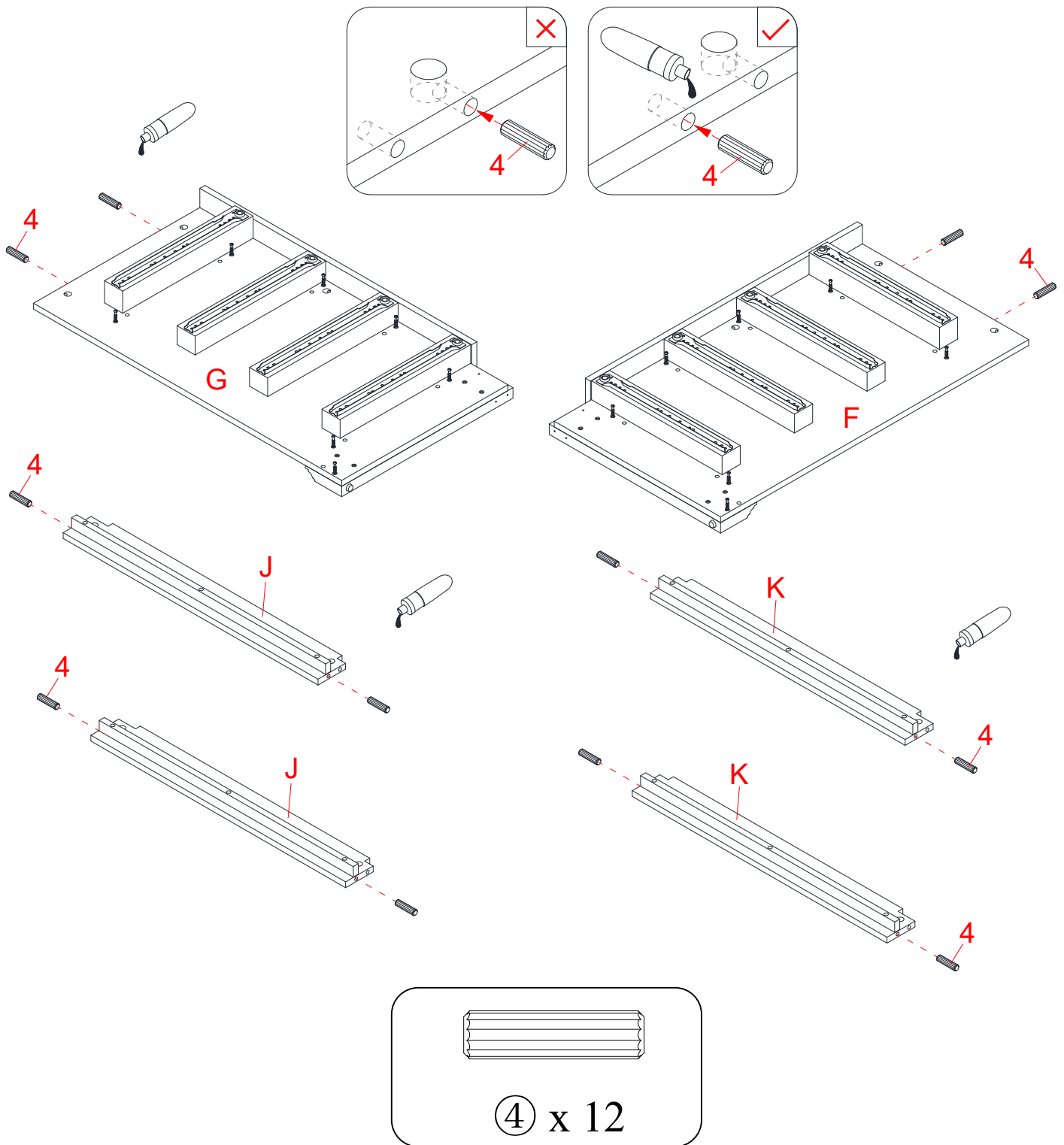
19. Align and attach the Bottom Front Skirting (D) to the Bottom Panel (C) by engaging 4 Large Cam Locks (2).

# Assembly Instructions



20. Using the wood dowels as a guide, firmly press the assembled Lower Partition Panel (H) to the Bottom Panel (C) and fasten it into place with two 50mm Screws (8).

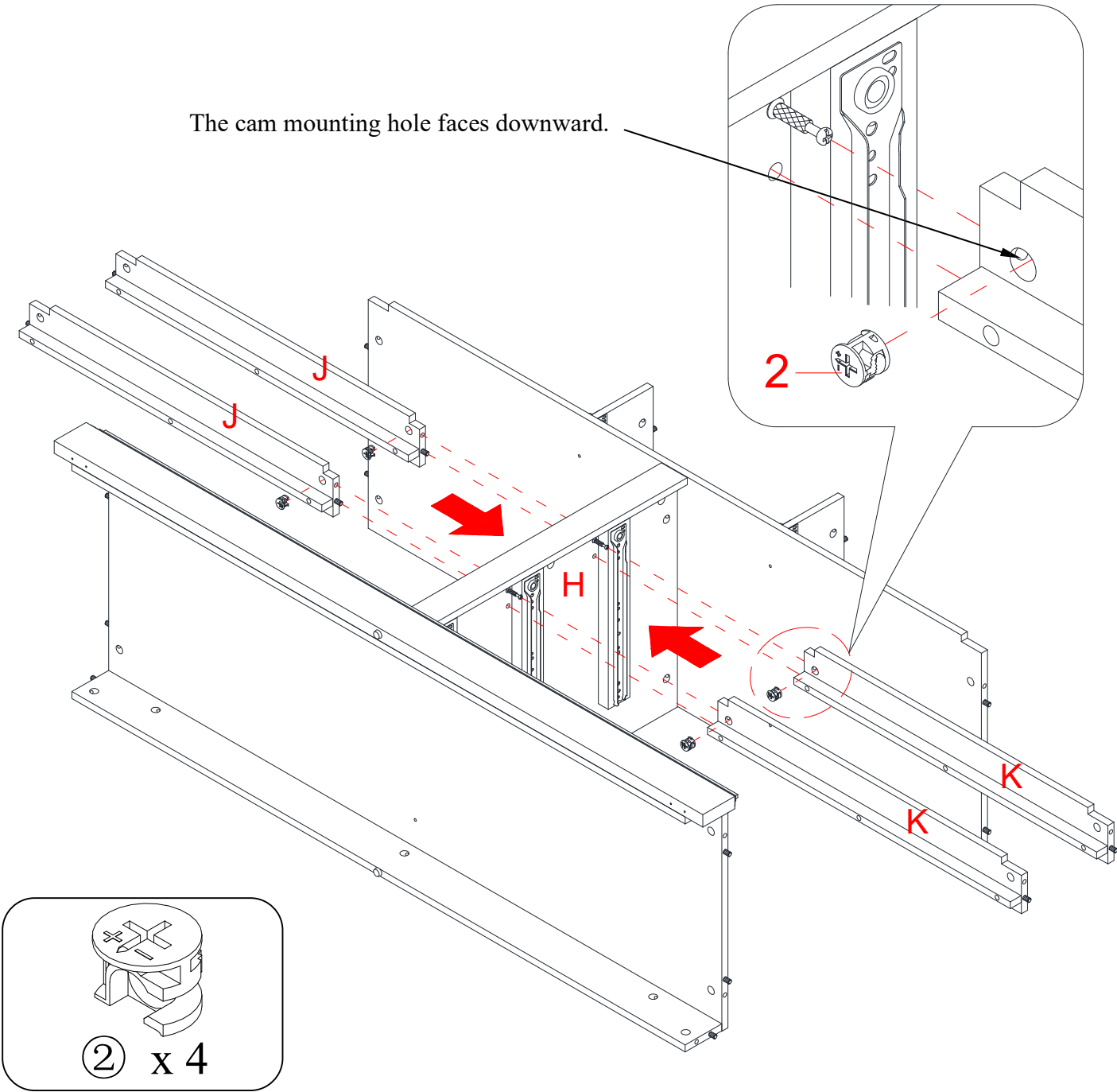
## Assembly Instructions



21. Glue the Large Wood Dowels (4) into the inner holes on both Side Panels (F and G) and Crossbars (J and K) as shown.



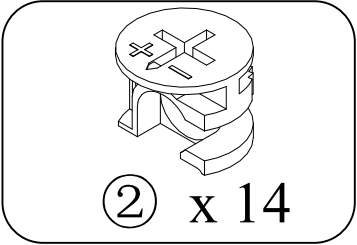
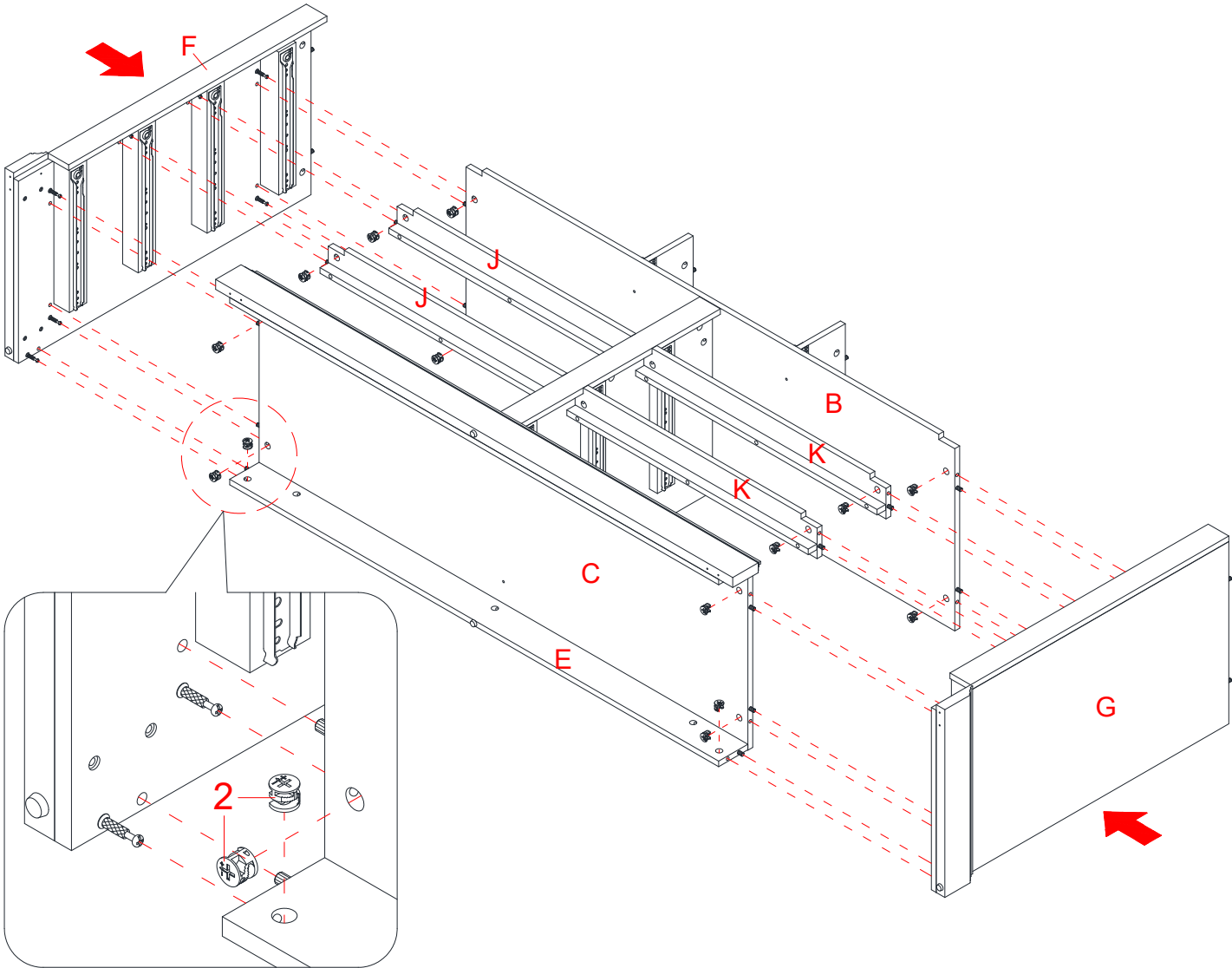
# Assembly Instructions



22. Orient and attach the Left Crossbars (J) to the left side of Lower Partition Panel (H) with 2 Large Cam Locks (2).

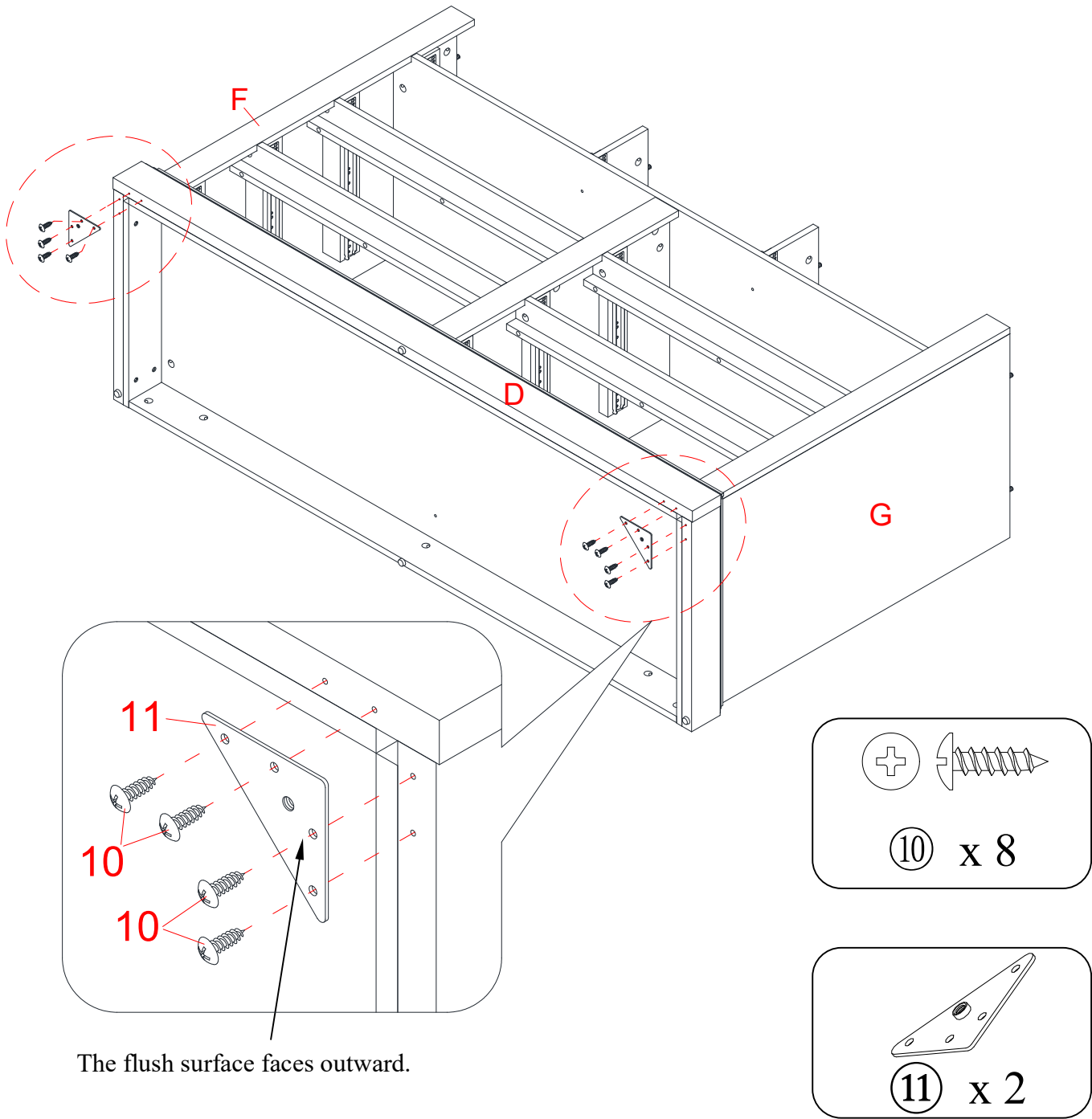
23. Repeat the same procedure for the Right Crossbars (K).

# Assembly Instructions



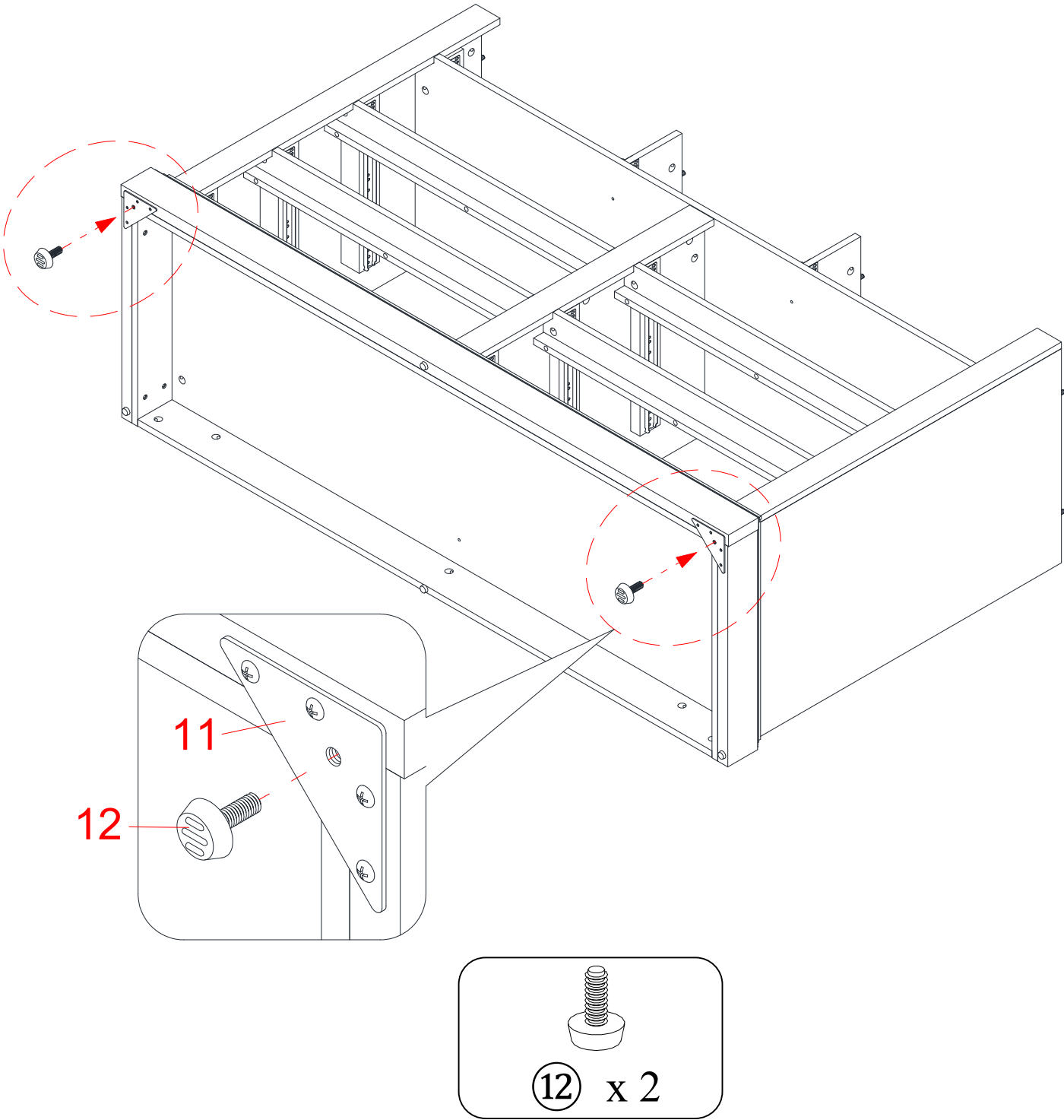
- 24. Align the large holes on the Left Side Panel (F) with the inserted wood dowels on the assembly. Attach the Left Side Panel (F) into place by engaging 7 Large Cam Locks (2).
- 25. Repeat the same procedure to attach the Right Side Panel (G) at the other end.

# Assembly Instructions



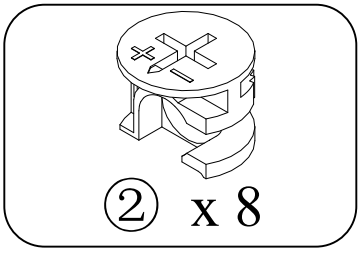
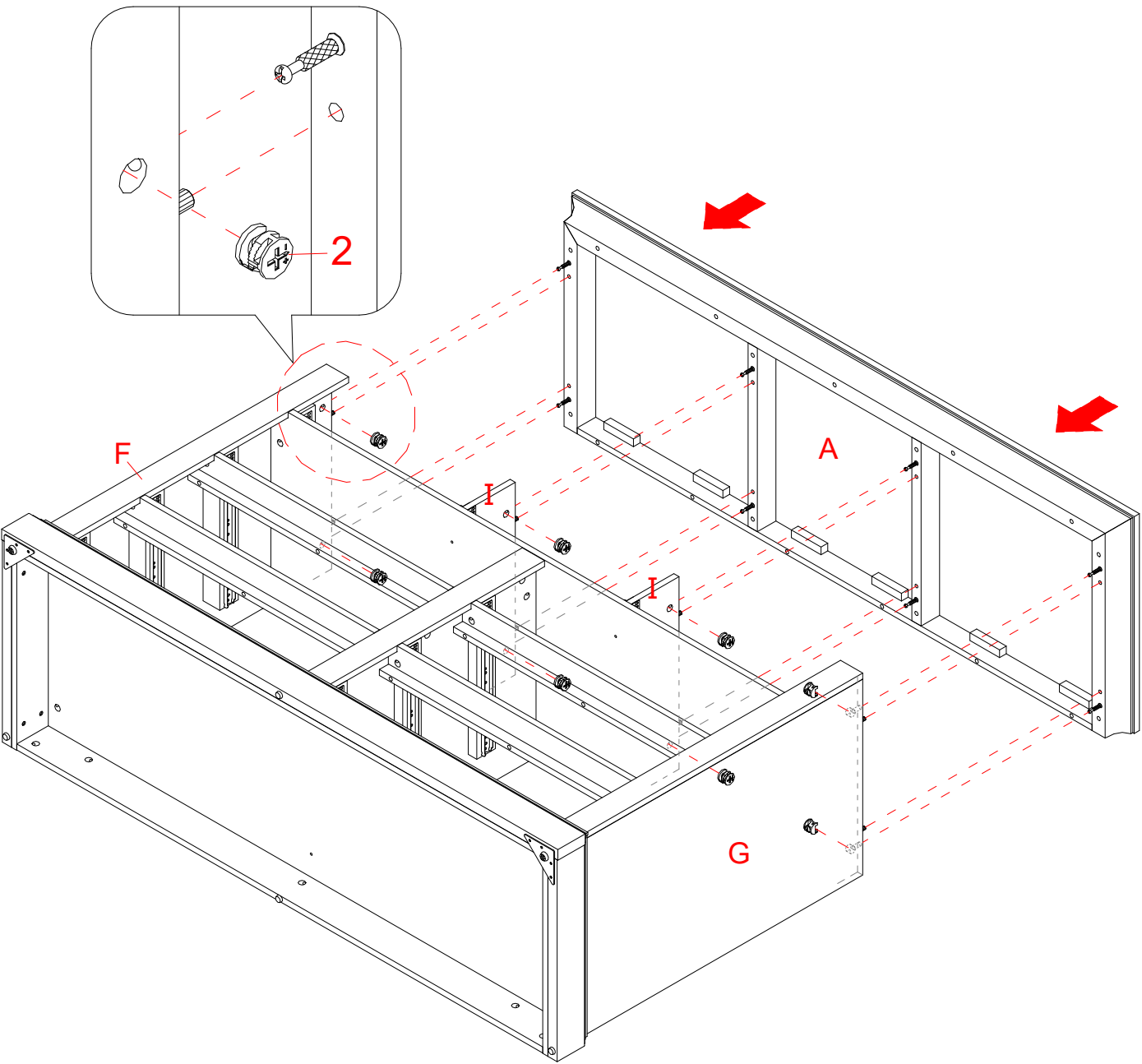
26. Using the pilot holes as a guide, fasten two Triangle Metal Plates (11) at the bottom joints between the Side Panels (F and G) and Bottom Front Skirting (D) using 4 Pan Head Screws (10) per plate.

# Assembly Instructions



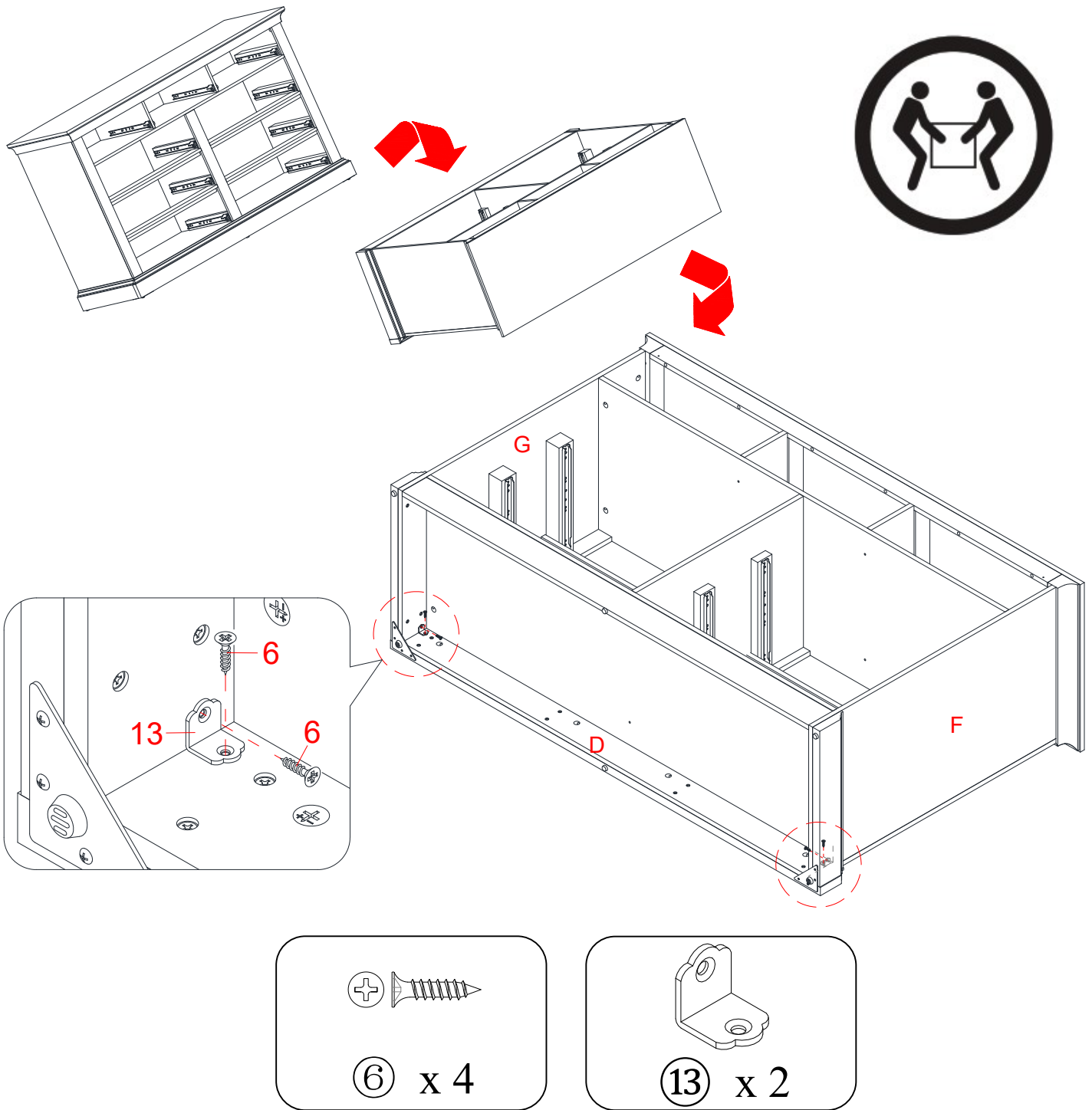
27. Screw two Floor Levelers (12) into the threaded sockets on the Triangle Metal Plates (11) and set to the correct height.

# Assembly Instructions



28. Place the Top Panel (A) onto the vertical panels (F, G and I) properly and fasten it into place with 8 Large Cam Locks (2).

## Assembly Instructions

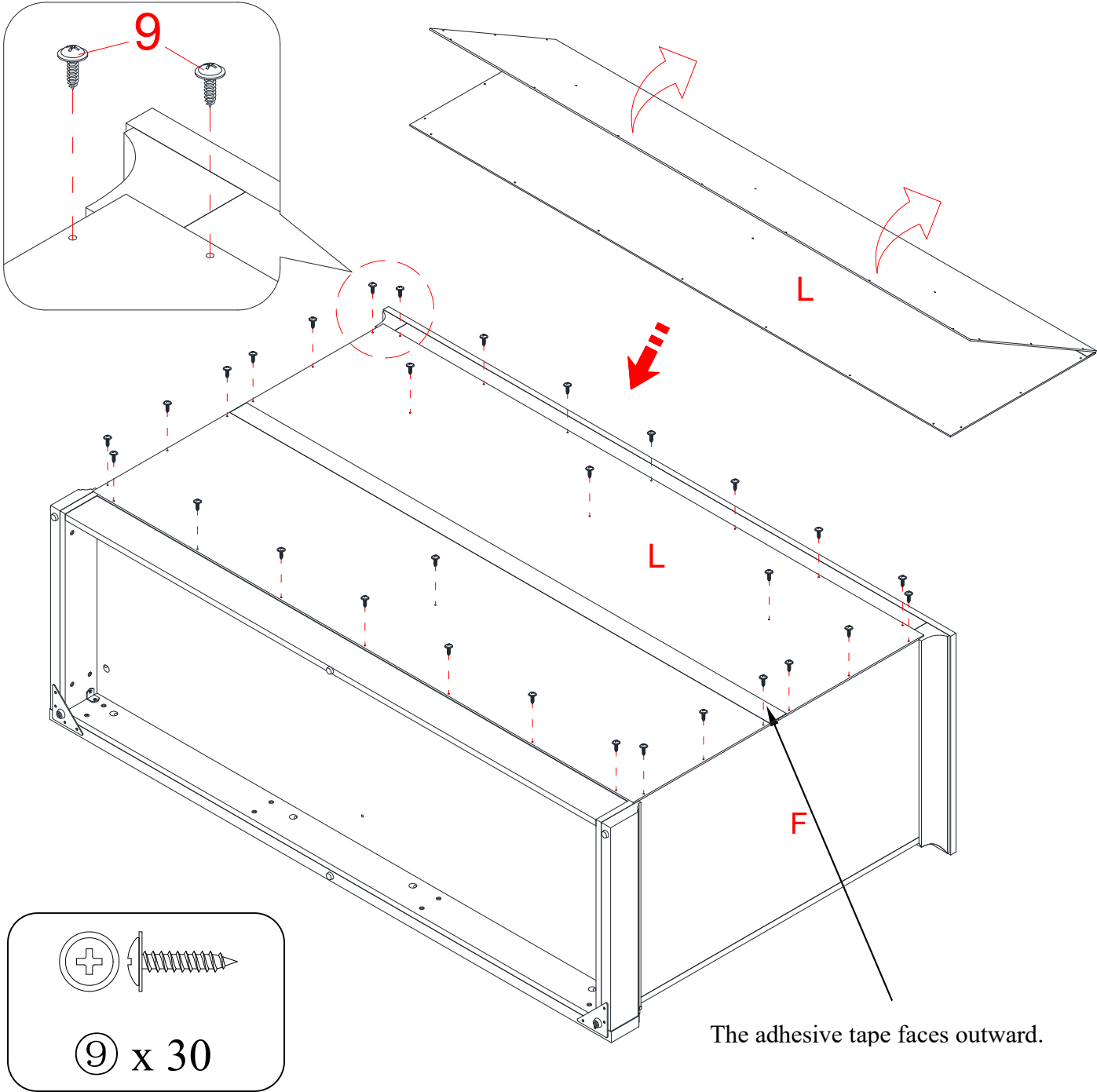


29. Ask for assistance to flip around the assembled unit at its front edges.

30. Using the pilot holes as a guide, install two L-shaped Brackets (13) at the joint between the Side Panels (F and G) and Bottom Front Skirting (D) with four 15mm Screws (6).

31. Now, go back and securely tighten all the cam locks and screws. Make sure that all the parts are tight and there are no gaps between the parts. This will help keep the unit square.

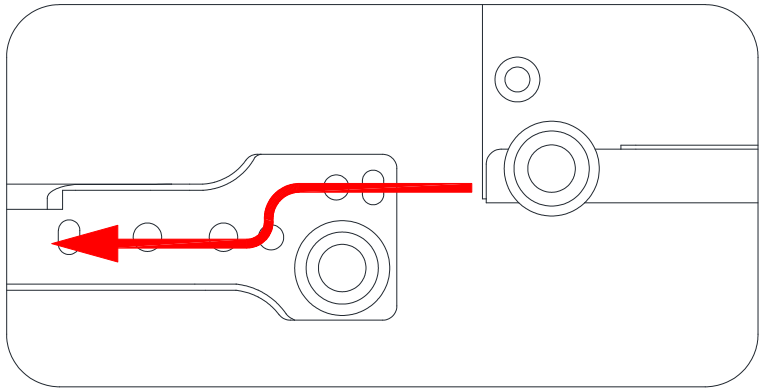
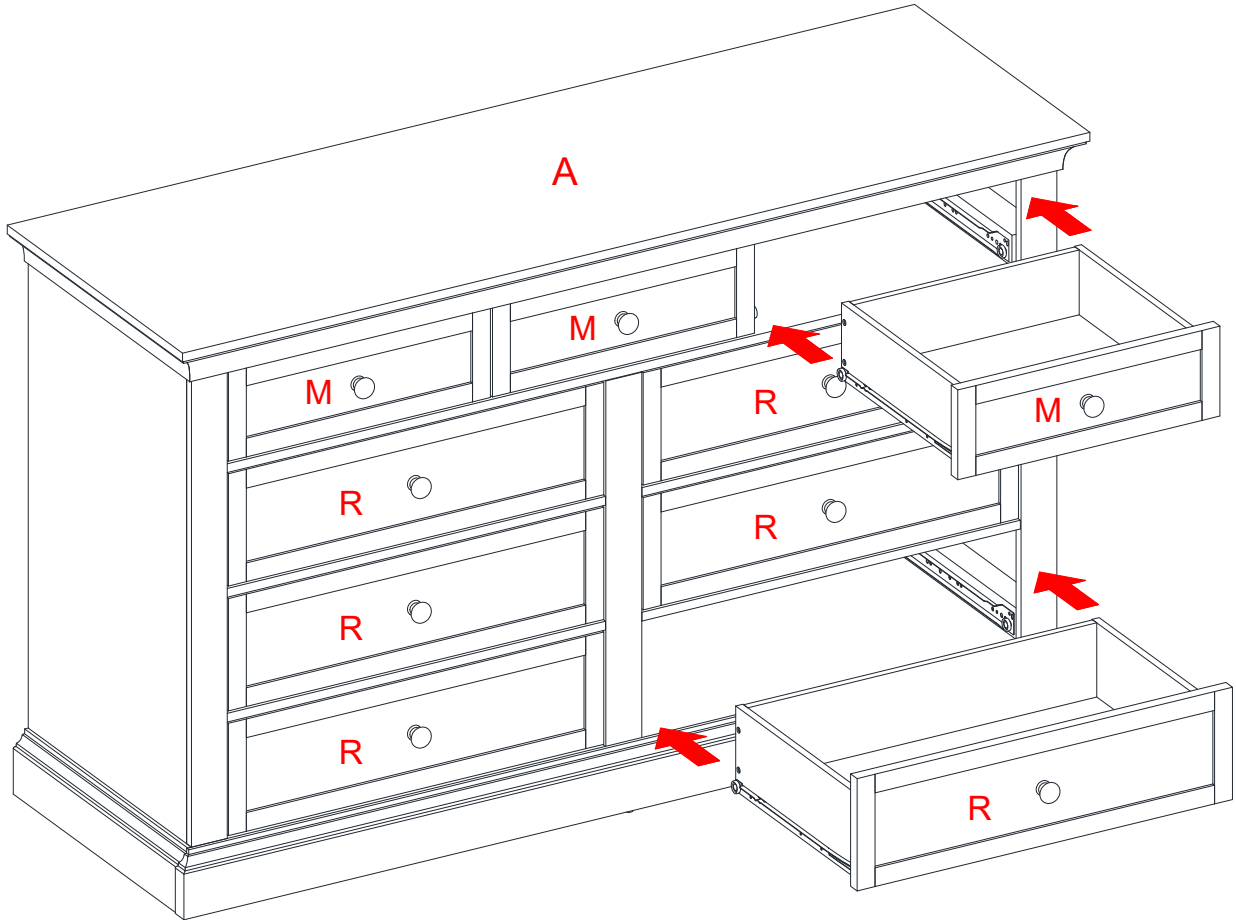
# Assembly Instructions



32. Unfold the Back Panel (L) and align the pre-drilled holes against the edge with the pilot holes on the back rail of Top Panel (A). And attach it in place with the provided 15 mm Washer Head Screws (9).

**NOTE:** We recommend attaching back panel with washer head screws at the corners first.

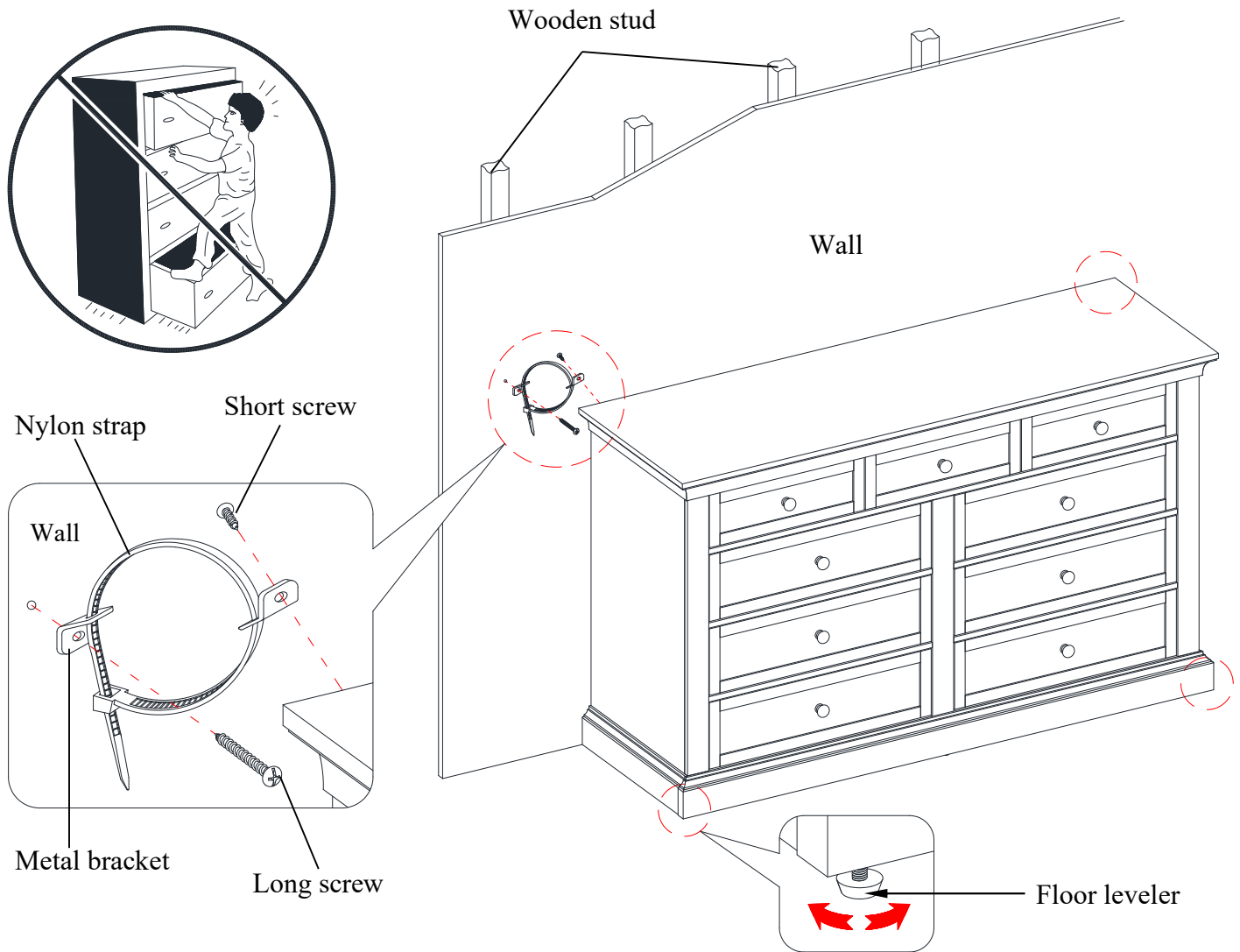
# Assembly Instructions



- 33. Ask for assistance to lift the assembly unit upright and position it near the final location.
- 34. Insert the assembled drawers to the frame, tip the front of drawers down and drop the rollers of the drawer slide runners behind the rollers of slide tracks on the unit. Lift the front of the drawer up and slide it into the unit.



## Assembly Instructions



**Tools required (not included):** Phillips screwdriver, stud finder, tape measure, pencil, power drill and 1/8" drill bit.

35. Position the assembled unit at the desired location against a wall. If necessary, adjust the Floor Levelers (12) to correct the tilting.
36. Now, follow the instructions printed on the plastic bag containing the Tipping Restraint Hardware to attach the tip-over restraints to the unit and the wall.

**NOTE:** The tipping restraint hardware included is for wooden stud wall construction. It must be attached to a wall stud. Depending upon your wall construction, different anchor hardware maybe required. Please contact your local hardware store for assistance. Young children can be seriously injured by tipping furniture. You must install the tipping restraint hardware with the unit to prevent the unit from tipping, causing any accidents or damage. The tipping restraints are intended only as a deterrent, they are not a substitute for proper adult supervision. The tipping restraints are not earthquake restraints. If you wish to add the extra security of earthquake restraints, they must be purchased and installed separately.


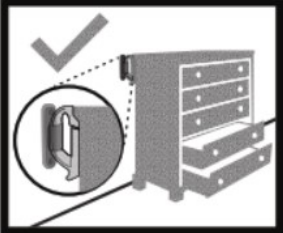


# FURNITURE TIPPING RESTRAINT

YOUNG CHILDREN MAY BE INJURED BY TIPPING FURNITURE AND YOU MUST USE THIS TIPPING RESTRAINT TO ATTACH THIS UNIT TO THE WALL, TO PREVENT ACCIDENTS AND/OR INJURIES.

THIS HARDWARE, MUST BE PROPERLY INSTALLED (FOLLOW ALL DIRECTIONS IN ORDER ON THIS INSTRUCTIONS), TO PROVIDE PROTECTION AGAINST THE UNEXPECTED TIPPING OF FURNITURE DUE TO IMPROPER USE.

THIS PRODUCT IS ONLY A DETERRENT. IT IS NOT A SUBSTITUTE FOR PROPER ADULT SUPERVISION. USE OF TIP-OVER RESTRAINTS MAY ONLY REDUCE, BUT NOT ELIMINATE, THE RISK OF TIP-OVER.

**⚠ WARNING**



**Children have died from furniture tip over. To reduce the risk of tip over:**

- ALWAYS secure this furniture to the wall using an anti-tip device.
- NEVER allow children to stand, climb or hang on drawers, doors, or shelves.
- Do not defeat or remove the drawer interlock system.
- Place heaviest items in the lowest drawers.
- NEVER put a TV on this furniture.

## Care and Maintenance

- Use a soft, clean cloth that will not scratch the surface when dusting.
- Use of furniture polish is not necessary. Should you choose to use polish, test first in an inconspicuous area.
- Using solvents of any kind on your furniture may damage your furniture's finish.
- Never use water to clean your furniture as it may cause damage to the finish.
- Always use coasters under beverage glasses and flowerpots.
- Liquid spills should be removed immediately. Using a soft, clean cloth, blot the spill gently. Avoid rubbing.
- Always use protective pads under hot dishes and plates. Heat can cause chemical changes that may create spotting within the furniture finish.
- In the event that your furniture is stained or otherwise damaged during use, we recommend that you call a professional to repair your furniture.
- Check bolts/screws periodically and tighten them if necessary.

## Further Advice about Wood Furniture Care

It is best to keep your furniture in a climate-controlled environment. Extreme temperature and humidity changes can cause fading, warping, shrinking and splitting of wood. It is advised to keep furniture away from direct sunlight as sun may damage the finish.

Proper care and cleaning at home will extend the life of your purchase. Following these important and helpful tips will enhance your furniture as it ages.

A touch-up pen has been provided to minimize the small nicks or scratches that may occur during assembly or shipping.

We hope you enjoy your purchase for many years.  
Thank you for your purchase!

## QUALITY GUARANTEE

We are confident that you will be delighted with your Whalen Furniture purchase.

Should this product be defective in workmanship or materials or fail under normal use, we will repair or replace it for up to one (1) year from date of purchase. Every Whalen Furniture product is designed to meet your highest expectations. We guarantee that you will immediately see the value of our fine furniture.

This warranty gives you specific legal rights and you may also have other rights which vary from State to State.

Whalen Furniture Manufacturing  
1578 Air Wing Road, San Diego, CA 92154, USA  
Customer Service: 1-866-942-5362  
8:30 a.m. - 4:30 p.m., PST, Monday to Friday  
[www.whalenstyle.com](http://www.whalenstyle.com)



## Cómoda Canton

Modelo # BHS336158813014



### ENSAMBLE REQUERIDO POR ADULTO

Si tienen alguna pregunta acerca del ensamble o si alguna parte está faltante, no retorne este producto a la tienda donde lo compró. Por favor llame a nuestro departamento de ayuda al cliente teniendo su instructivo y lista de partes para proveer el modelo, nombre de parte o el número de fábrica:

**1-866-942-5362**

Hora Estándar del Pacífico: 8:30 a.m. - 4:30 p.m., de Lunes a Viernes  
O visite nuestra página de Internet 24 horas al día, 7 días a la semana para asistencia

**[www.whalenstyle.com](http://www.whalenstyle.com)**

O mande un correo electrónico a **[parts@whalenfurniture.com](mailto:parts@whalenfurniture.com)**

**ESTE INSTRUCTIVO CONTIENE INFORMACION IMPORTANTE DE SEGURIDAD.  
POR FAVOR LEA Y MANTENGA PARA USO FUTURO.**

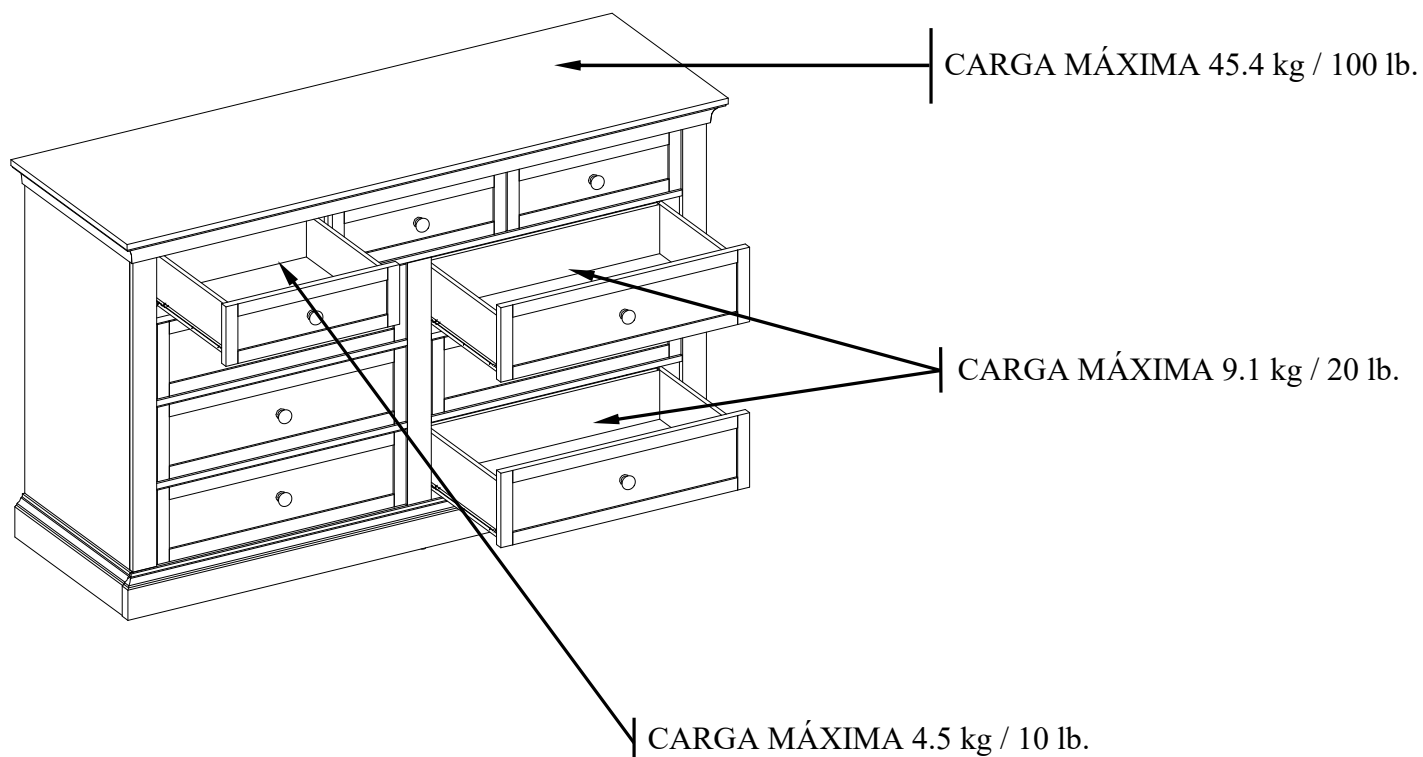
Fecha 2023-03-10 Rev. 0001-A

## MÁXIMO PESO RECOMENDADO

FABRICANTE: Whalen Furniture Manufacturing

CATALOGO: Cómoda Canton

MODELO # BHS336158813014



### **ADVERTENCIA**

ESTA UNIDAD DEBE UTILIZARSE CON LOS PESOS MÁXIMOS INDICADOS. SI SE EXCEDE EL PESO MÁXIMO, PODRÍA RESULTAR EN UNA INESTABILIDAD DE LA UNIDAD CAUSANDO POSIBLES LESIONES.

### **NOTA ESPECIAL**

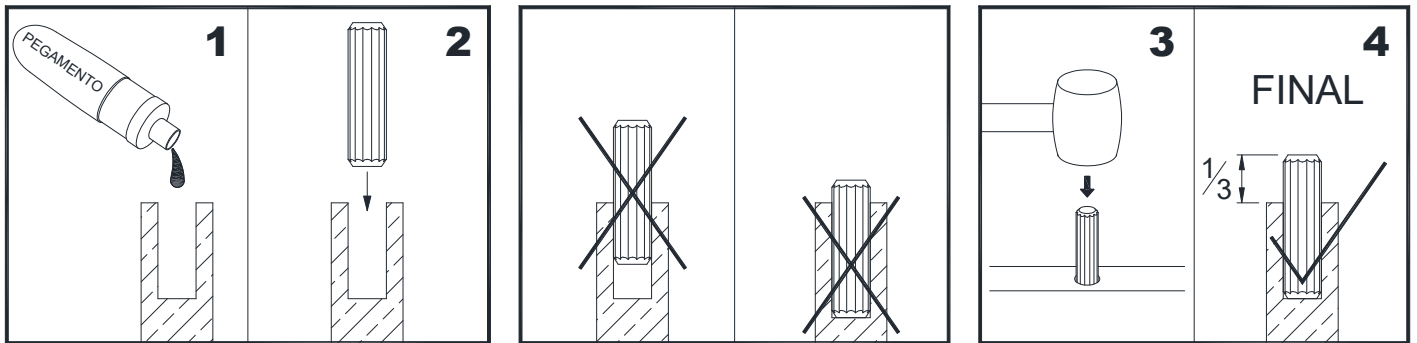
Por favor lea todo el instructivo antes de ensamblar. Examinar todo el material de empaque antes de tirar el cartón. Retirar cualquier grapa del cartón antes de tirar. Retirar todas las partes del cartón y separar en grupos como es indicado en la lista de partes. Por favor de asegurar que todas las partes están presentes antes del ensamble. El uso de herramientas eléctricas para completar el ensamble no es recomendado.

## IMPORTANTE

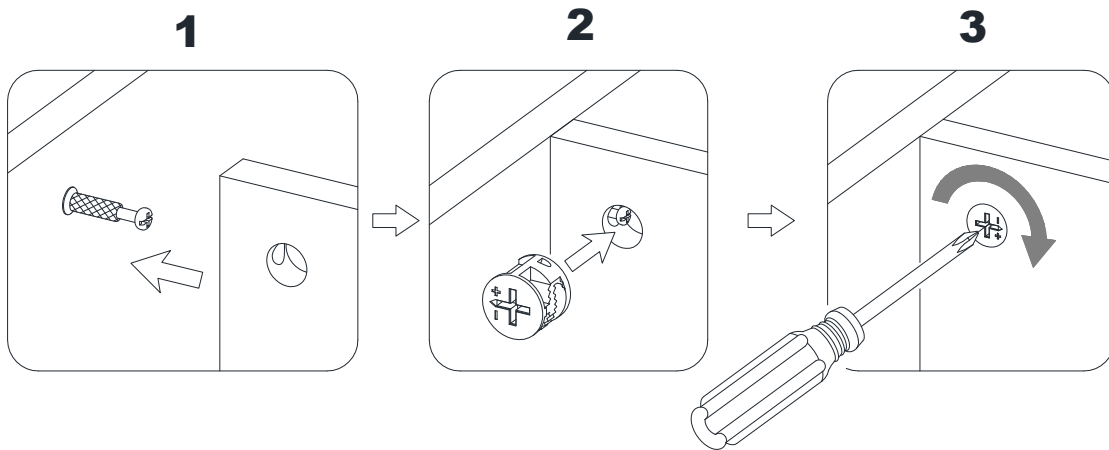
**Antes de comenzar:** Abra, identifique y cuente todas las partes antes del ensamble. Coloque las piezas sobre una superficie plana y no abrasiva. Tendrá las partes identificadas en las páginas 4, 5 y 6 de este manual de instrucciones.

**NOTA:** ES MUY IMPORTANTE EL USO DE GOMA CON LAS CLAVIJAS DE MADERA. EL EXCESO DE PEGAMENTO SE PUEDE LIMPIAR CON UN PAÑO HÚMEDO.

Inserte la clavija por lo menos a la mitad del camino golpeando ligeramente con un mazo de goma, SI ES NECESARIO.



## SISTEMA DE OPERACIÓN DE TUERCA DE FIJACIÓN



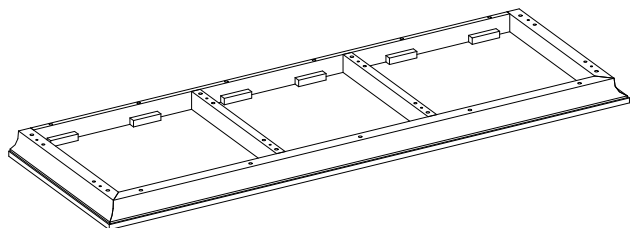
## CÓMO FUNCIONA LA INSTALACIÓN DE MONTAJE (KD)

1. Fijar los pernos de fijación en los orificios pequeños. Conectar ambos paneles, cerciorandose que los pernos de fijación entren bien y que estos queden en los orificios al final del panel con tuercas de fijación.
2. Inserte las tuercas de fijación en los orificios grandes del panel. Hacer que la flecha en la tuerca este apuntando hacia la entrada del perno de fijación.
3. Una vez que el perno este conectado dentro, tome un destornillador de cruz y apriete la tuerca en dirección de las manecillas del reloj.

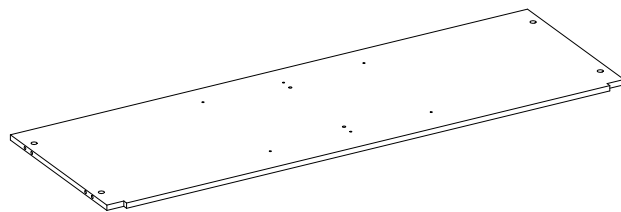
Está listo para el ensamble KD de esta unidad.

## Lista de partes y material de ferretería

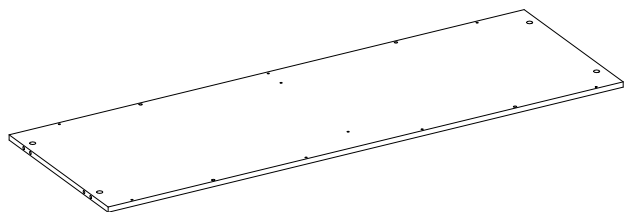
Por favor lea completamente las instrucciones y verifique que estén todas las partes y partes de ferretería antes de iniciar el ensamblado.



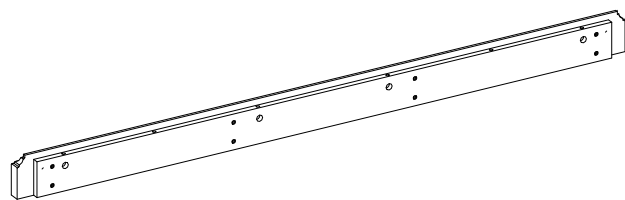
A- Panel superior  
(Cant. 1)



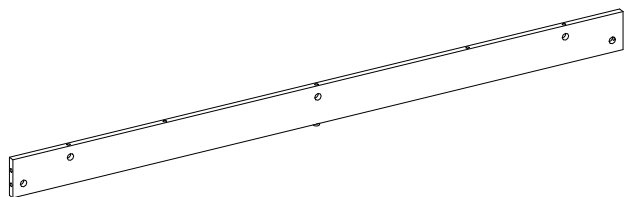
B- Panel fijo  
(Cant. 1)



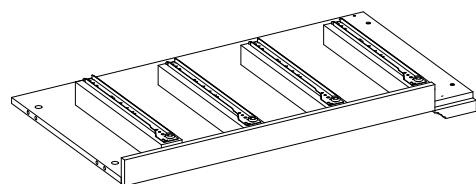
C- Panel inferior  
(Cant. 1)



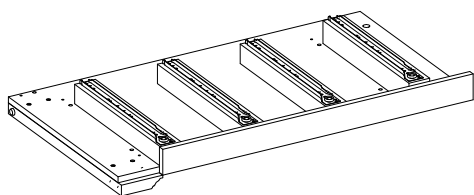
D- Falda inferior frontal  
(Cant. 1)



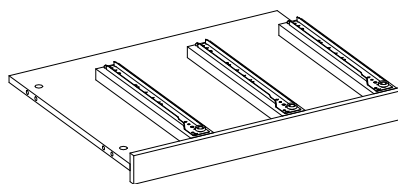
E- Soporte inferior posterior  
(Cant. 1)



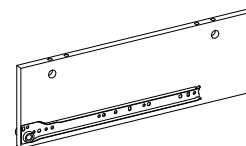
F- Panel izquierdo  
(Cant. 1)



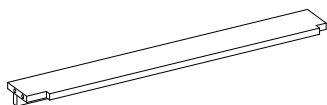
G- Panel derecho  
(Cant. 1)



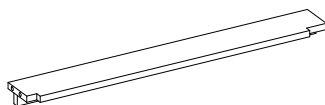
H- Panel divisor inferior  
(Cant. 1)



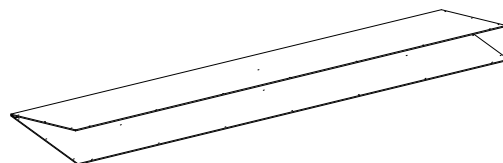
I- Panel divisor superior  
(Cant. 2)



J- Soporte izquierdo  
(Cant. 2)



K- Soporte derecho  
(Cant. 2)

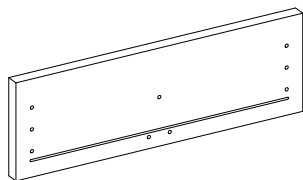


L- Panel posterior  
(Cant. 1)

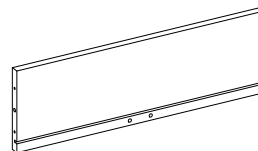


## Lista de partes y material de ferretería

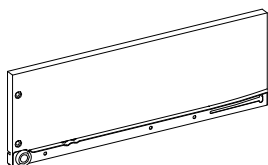
Por favor lea completamente las instrucciones y verifique que estén todas las partes y partes de ferretería antes de iniciar el ensamblado.



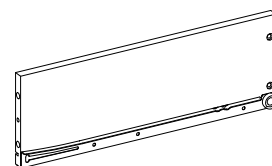
M- Panel frontal del cajón pequeño  
(Cant. 3)



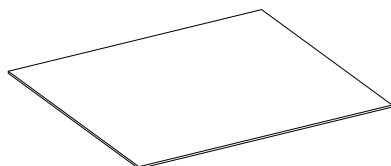
N- Panel posterior del cajón pequeño  
(Cant. 3)



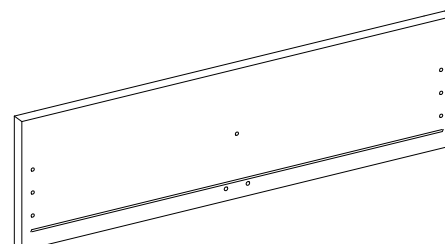
O- Panel izquierdo del cajón pequeño  
(Cant. 3)



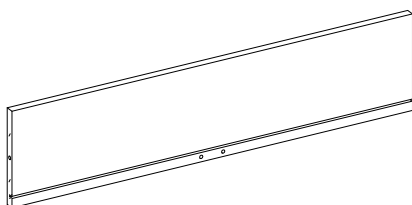
P- Panel derecho del cajón pequeño  
(Cant. 3)



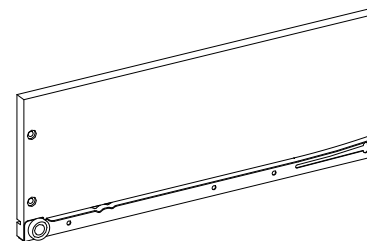
Q- Panel inferior del cajón pequeño  
(Cant. 3)



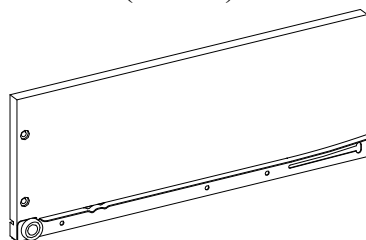
R- Panel frontal del cajón grande  
(Cant. 6)



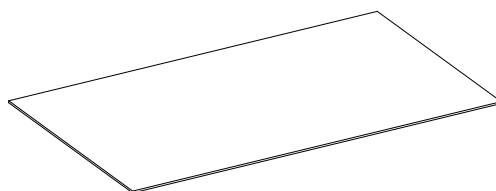
S- Panel posterior del cajón grande  
(Cant. 6)



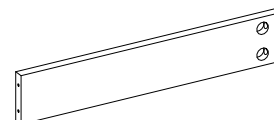
T- Panel izquierdo del cajón grande  
(Cant. 6)



U- Panel derecho del cajón grande  
(Cant. 6)



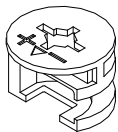
V- Panel inferior del cajón grande  
(Cant. 6)



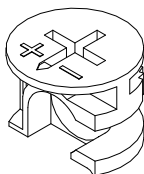
W- Soporte inferior del cajón  
(Cant. 9)

## Lista de partes y material de ferretería

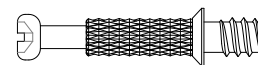
Por favor lea completamente las instrucciones y verifique que estén todas las partes y partes de ferretería antes de iniciar el ensamblado.



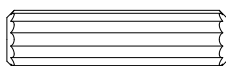
(1) Tuerca de fijación pequeña  
(Cant. 54+2 extra)



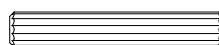
(2) Tuerca de fijación grande  
(Cant. 35+1 extra)



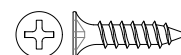
(3) Perno de fijación  
(Cant. 89+4 extra)



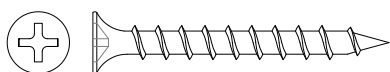
(4) Clavija de madera pequeña de M8 x 30 mm  
(Cant. 38+1 extra)



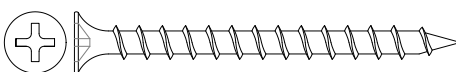
(5) Clavija de madera grande de M5 x 30 mm  
(Cant. 36+1 extra)



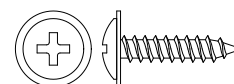
(6) Perno de M3.5 x 15 mm  
(Cant. 4+1 extra)



(7) Perno de M3.5 x 38 mm  
(Cant. 54+2 extra)



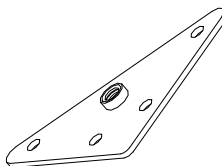
(8) Perno de M4 x 50 mm  
(Cant. 6+1 extra)



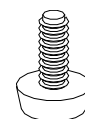
(9) Perno de cabeza de arandela de M3.5 x 15 mm (Cant. 30+1 extra)



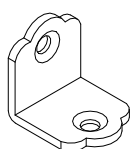
(10) Perno de cabeza redonda de M3.5 x 15 mm (Cant. 8+1 extra)



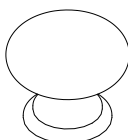
(11) Placa de metal triangular  
(Cant. 2)



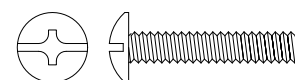
(12) Nivelador de piso  
(Cant. 2)



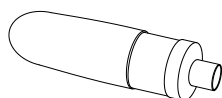
(13) Soporte L  
(Cant. 2)



(14) Perilla  
(Cant. 9)



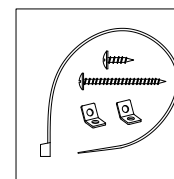
(15) Perno de 5/32 de pulgada x 22 mm (Cant. 9)



Pegamento  
(Cant. 2)



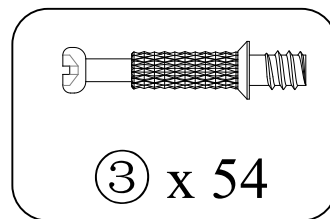
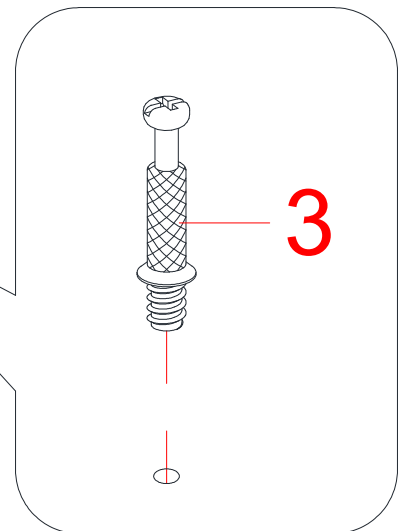
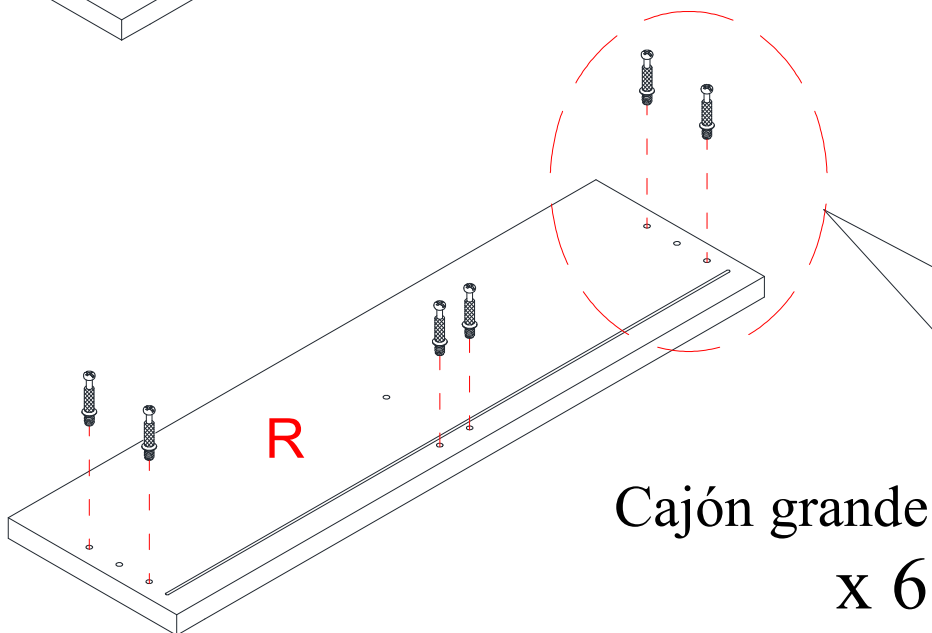
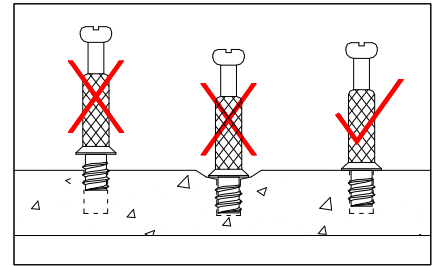
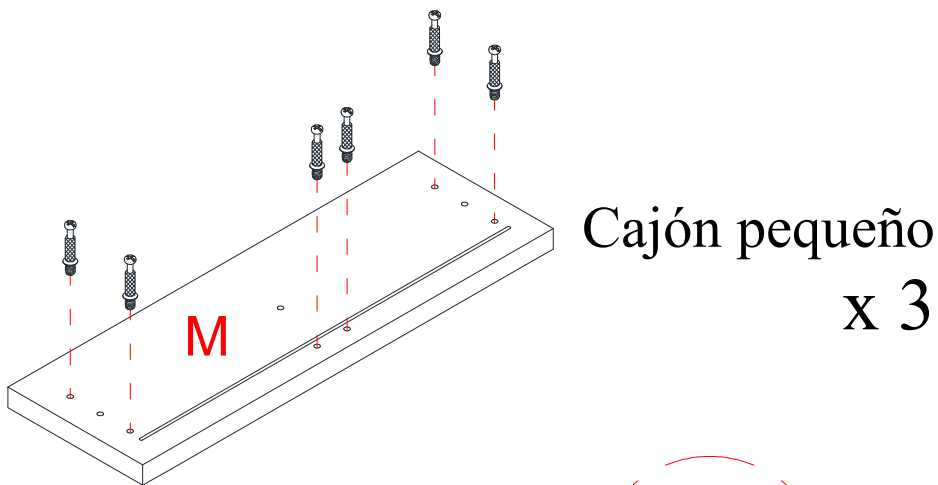
Plumón  
(Cant. 1)



Juego de restricción de movimiento (Cant.2)  
**(Incluido en bolsa de plástico)**

**Herramientas necesarias (no incluidas):** Desarmador estrella, buscador de vigas, lápiz, cinta métrica, taladro y broca de 1/8 pulgadas.

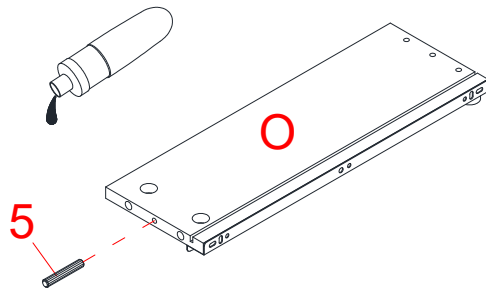
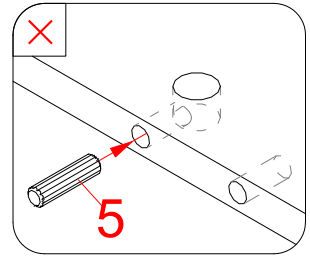
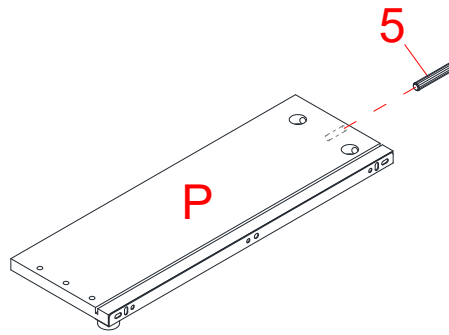
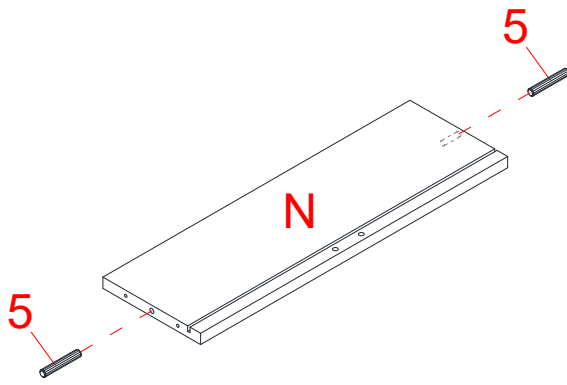
## Instrucciones de ensamble



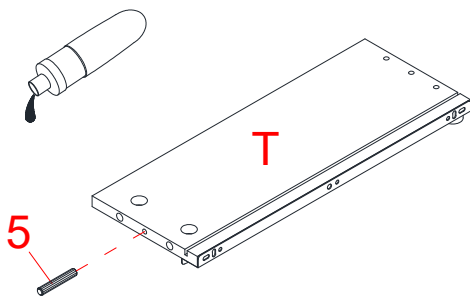
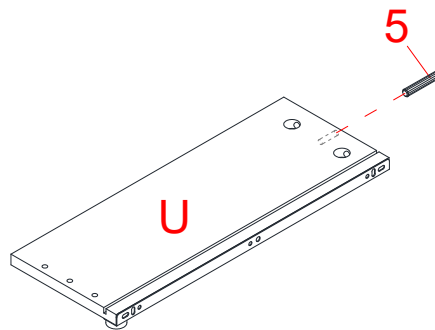
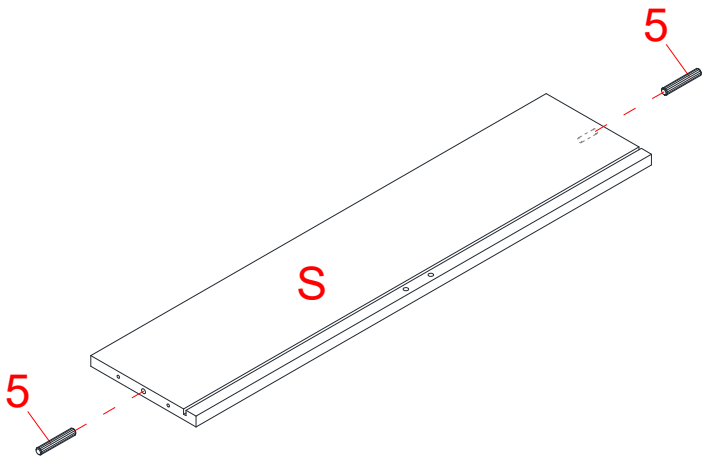
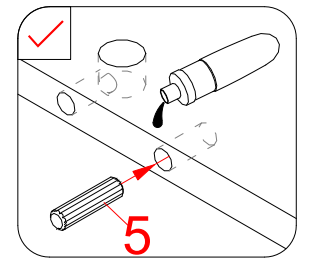
**NOTA:** Por favor no apriete completamente todos los pernos, hasta que termine con el ensamble de las partes. Después asegúrese de apretar todos los pernos. Esto hará el ensamble más fácil.

1. Desempacar la unidad y confirmar que se tiene todo el material de ferretería y partes requeridas. Ensamblar la unidad en un piso alfombrado o en el cartón vacío para evitar rasguños.
2. Apretar los pernos de fijación (3) en los agujeros pequeños designados en los paneles frontales del cajón (M y R) usando el desarmador estrella.

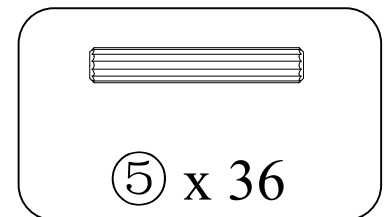
## Instrucciones de ensamble



Cajón pequeño  
x 3



Cajón grande  
x 6

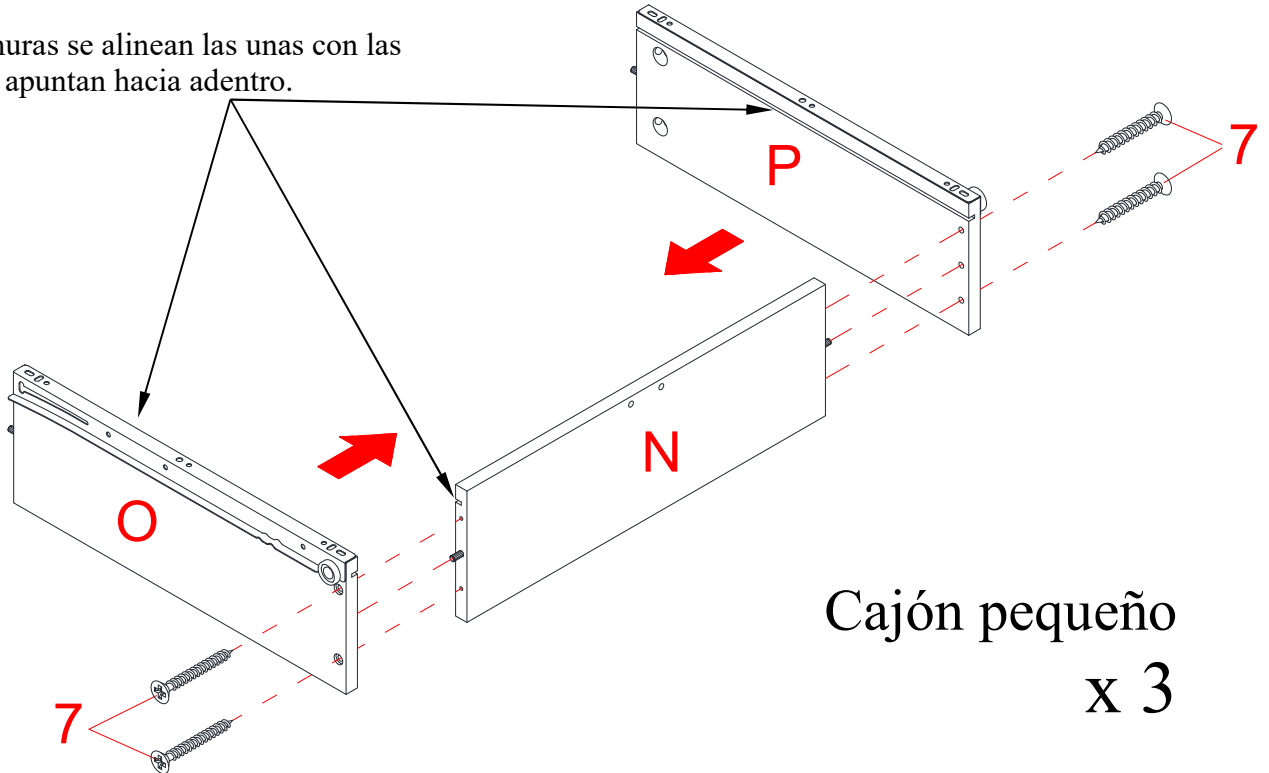


3. Pegar las clavijas de madera pequeñas (5) en los agujeros internos en los paneles posteriores del cajón (N y S) y en los paneles laterales del cajón (O, P, T y U).

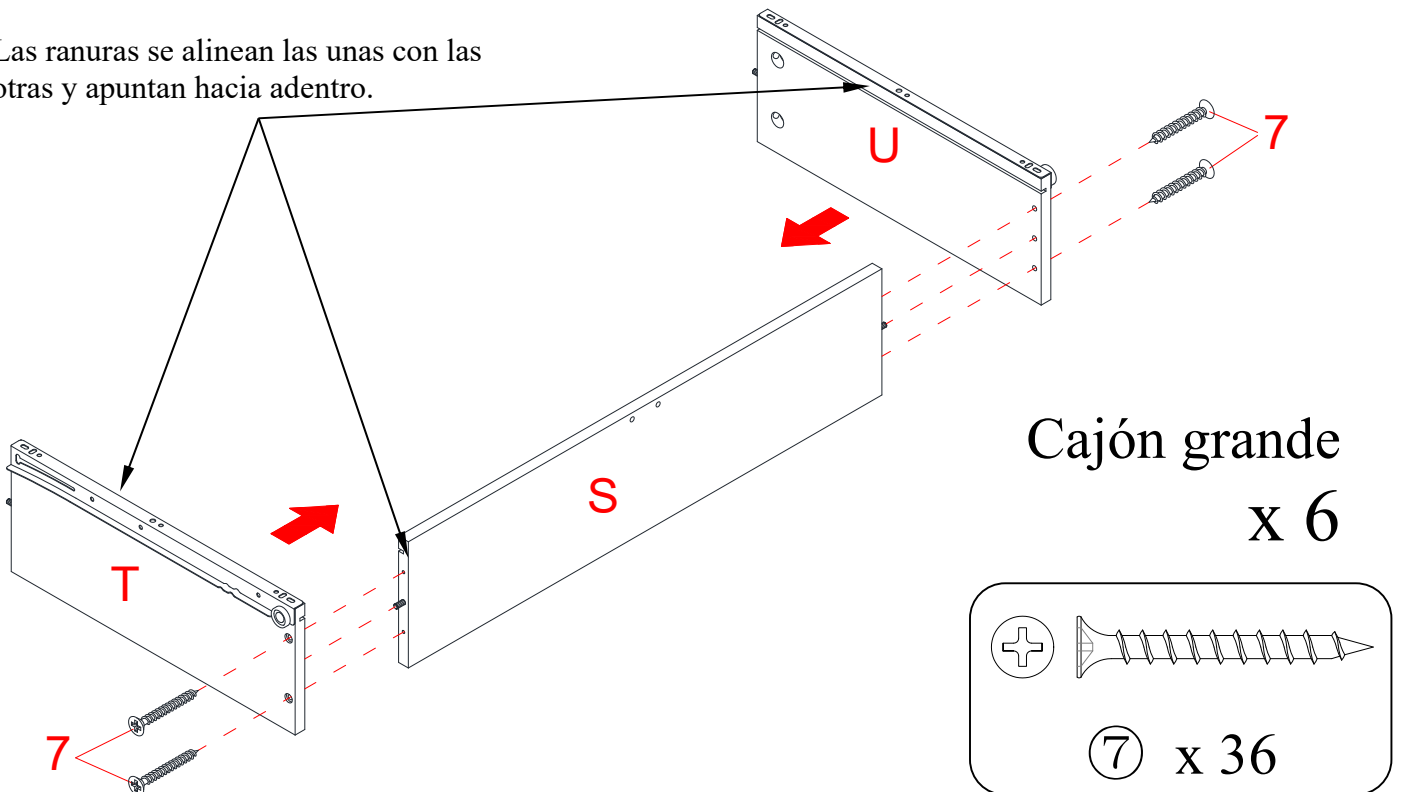
**NOTA:** Es importante usar una cantidad pequeña de pegamento en ambos lados de las clavijas y limpiar el exceso de pegamento inmediatamente con una toalla húmeda.

## Instrucciones de ensamble

Las ranuras se alinean las unas con las otras y apuntan hacia adentro.

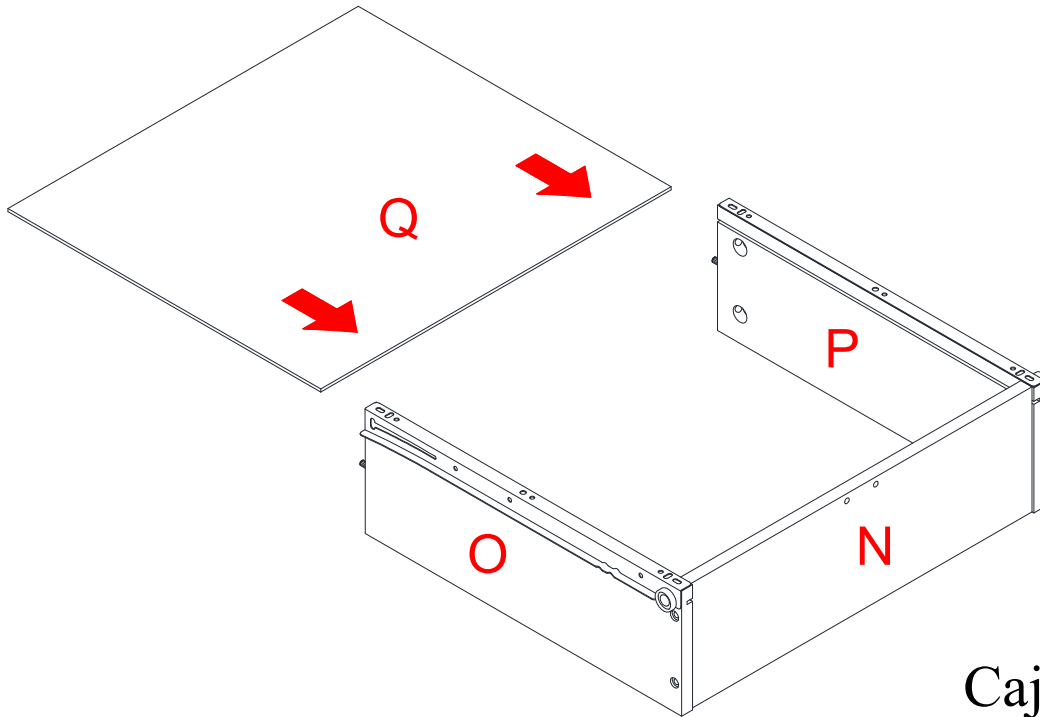


Las ranuras se alinean las unas con las otras y apuntan hacia adentro.

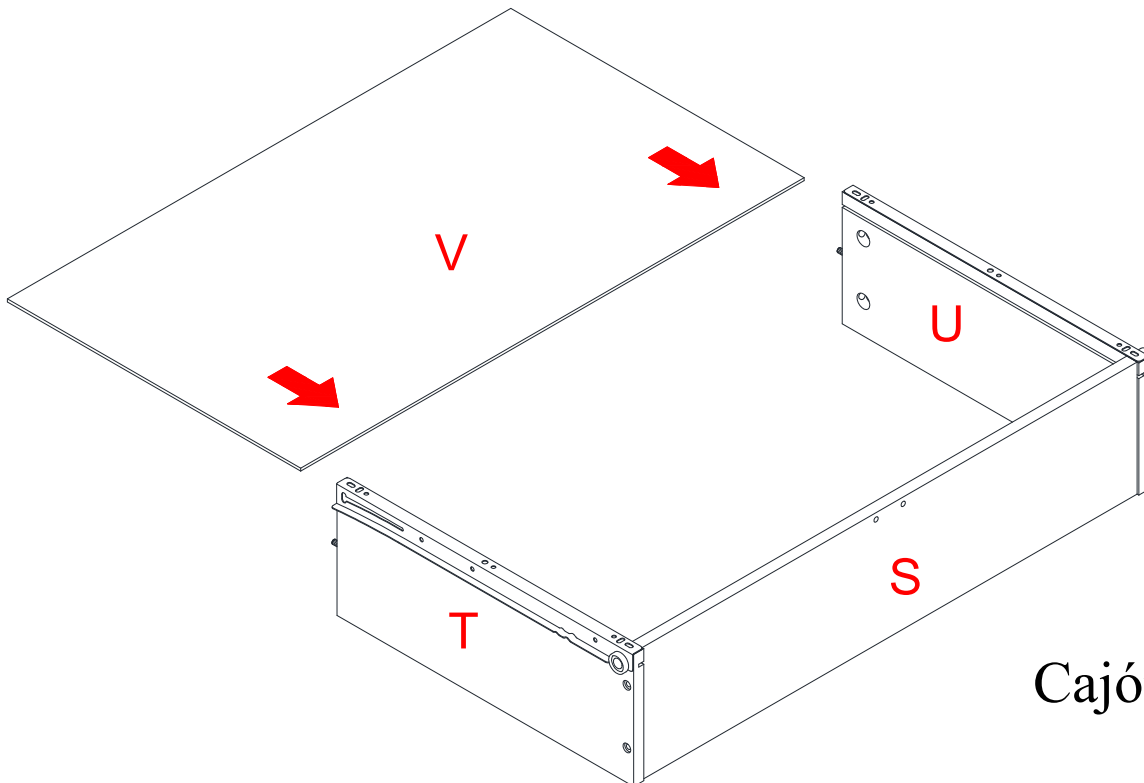


4. Adjuntar el panel posterior del cajón pequeño (N) entre los paneles laterales del cajón pequeño (O y P) con 4 pernos de 38 mm (7).
5. Repetir el mismo procedimiento para adjuntar cada panel posterior del cajón grande (S) entre los paneles laterales del cajón grande (T y U).

## Instrucciones de ensamble



Cajón pequeño  
x 3

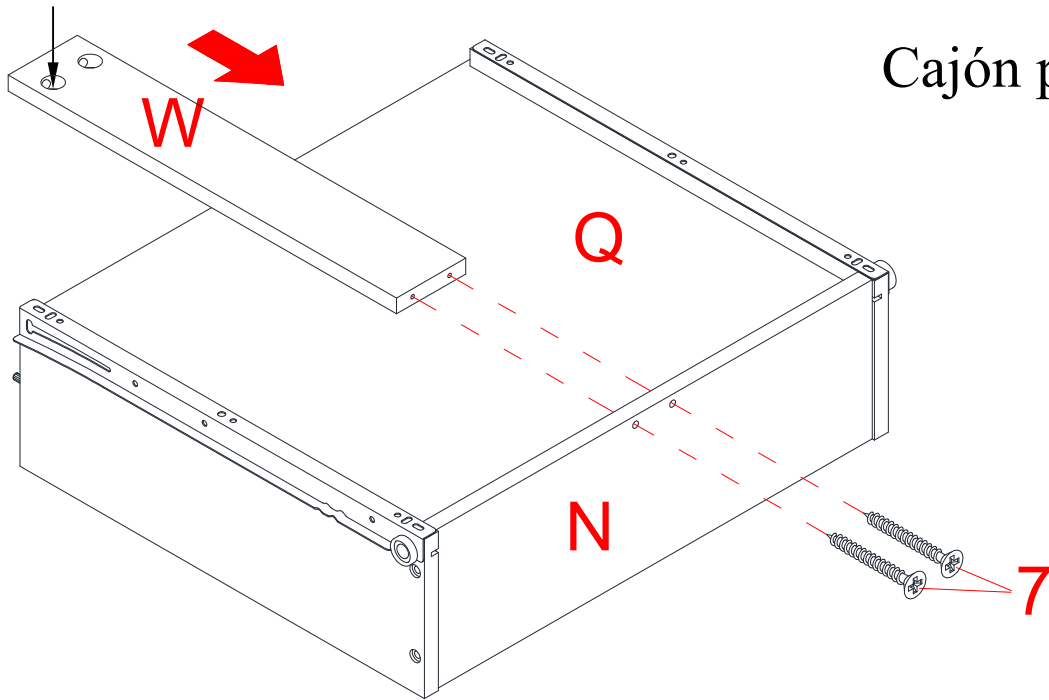


Cajón grande  
x 6

6. Deslizar cada panel inferior del cajón pequeño (Q) en las ranuras de ambos paneles laterales del cajón pequeño (O y P) hasta que este insertado completamente en el panel posterior del cajón pequeño (N).
7. Repetir el mismo procedimiento para los paneles inferiores del cajón grande (V).

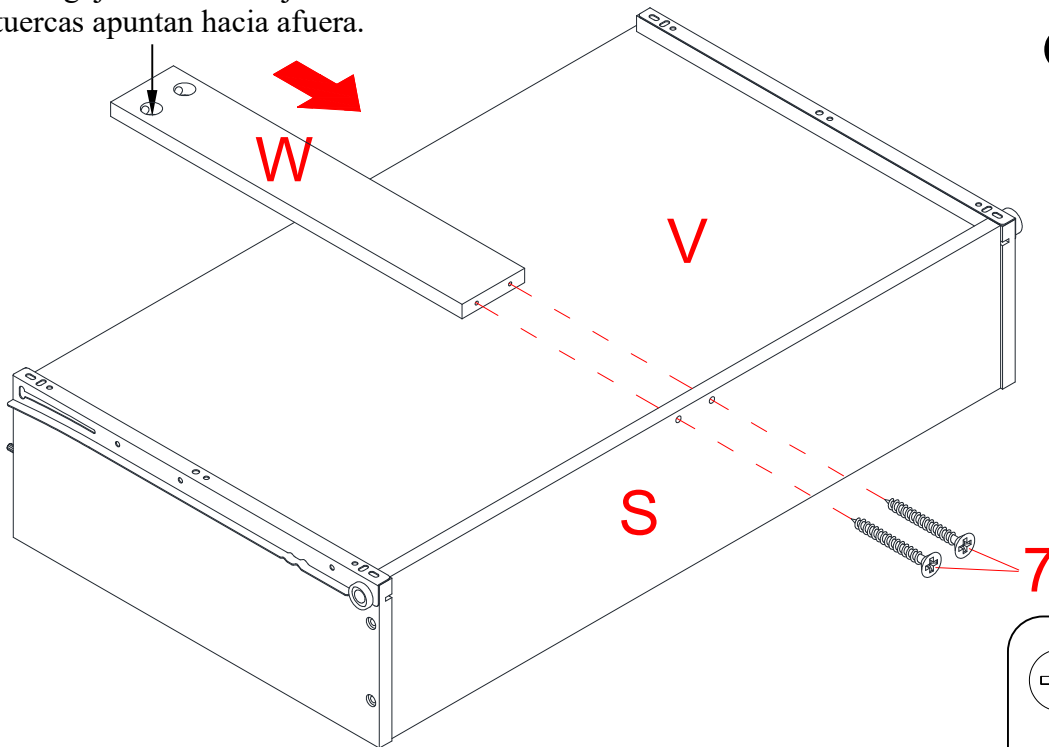
## Instrucciones de ensamble

Los agujeros de montaje de las tuercas apuntan hacia afuera.

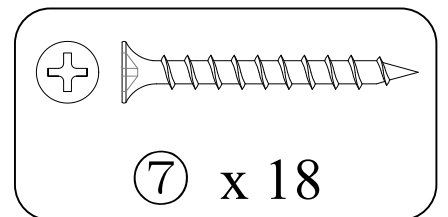


Cajón pequeño  
x 3

Los agujeros de montaje de las tuercas apuntan hacia afuera.

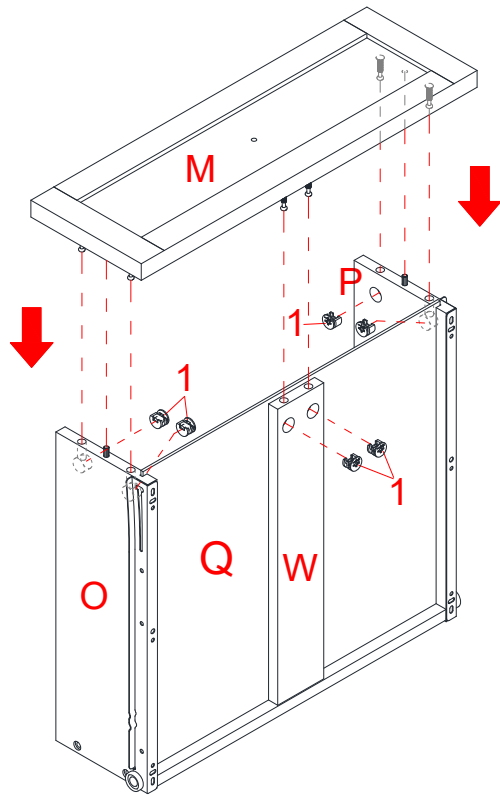
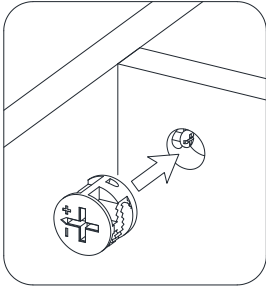


Cajón grande  
x 6

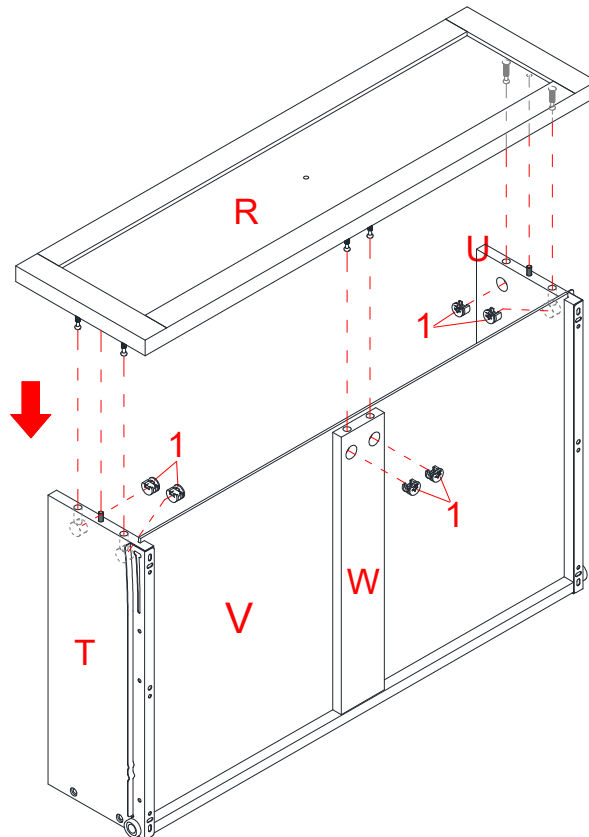


8. Sujetar un soporte inferior del cajón (W) a cada panel posterior del cajón (N y S) con 2 pernos de 38mm (7).

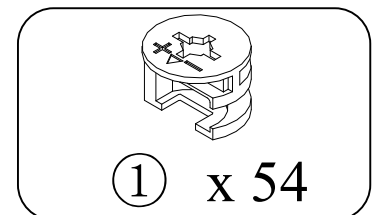
## Instrucciones de ensamble



Cajón pequeño  
x 3



Cajón grande  
x 6

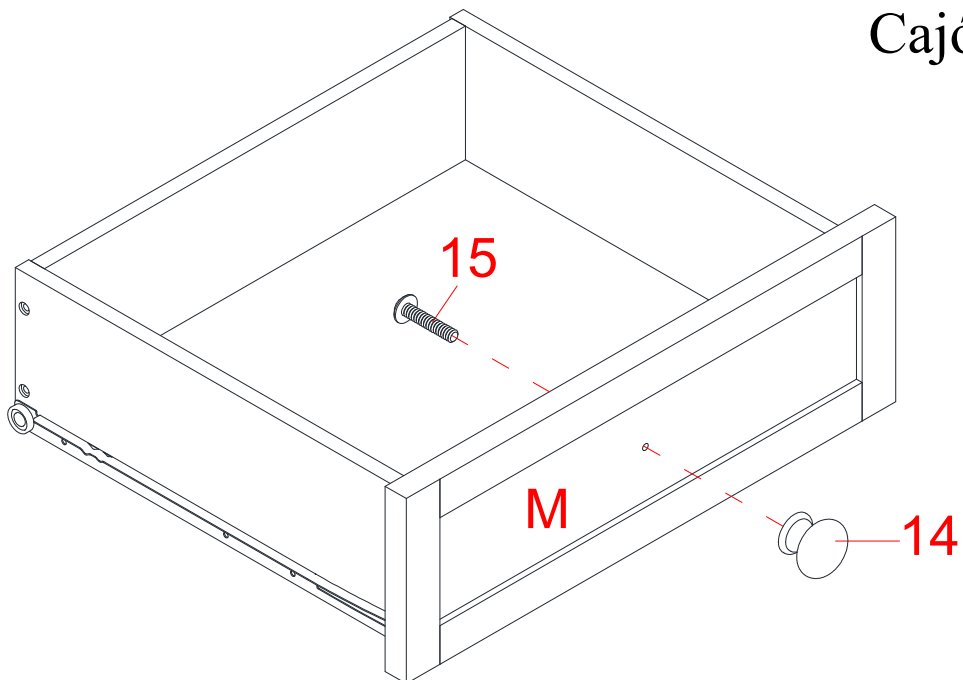


9. Poner los paneles frontales del cajón (M y R) sobre las clavijas de madera insertadas y sujetar en su lugar empleando 6 tuercas de fijación (1). (Consultar la página 3 del sistema de operación de tuercas de fijación). Asegurar de que los paneles inferiores del cajón (Q y V) entre aseguradamente en las ranuras de los paneles frontales del cajón (M y R).

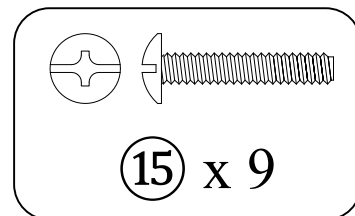
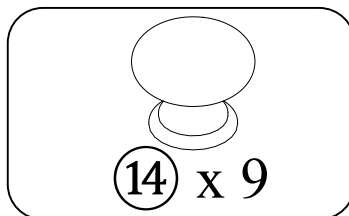
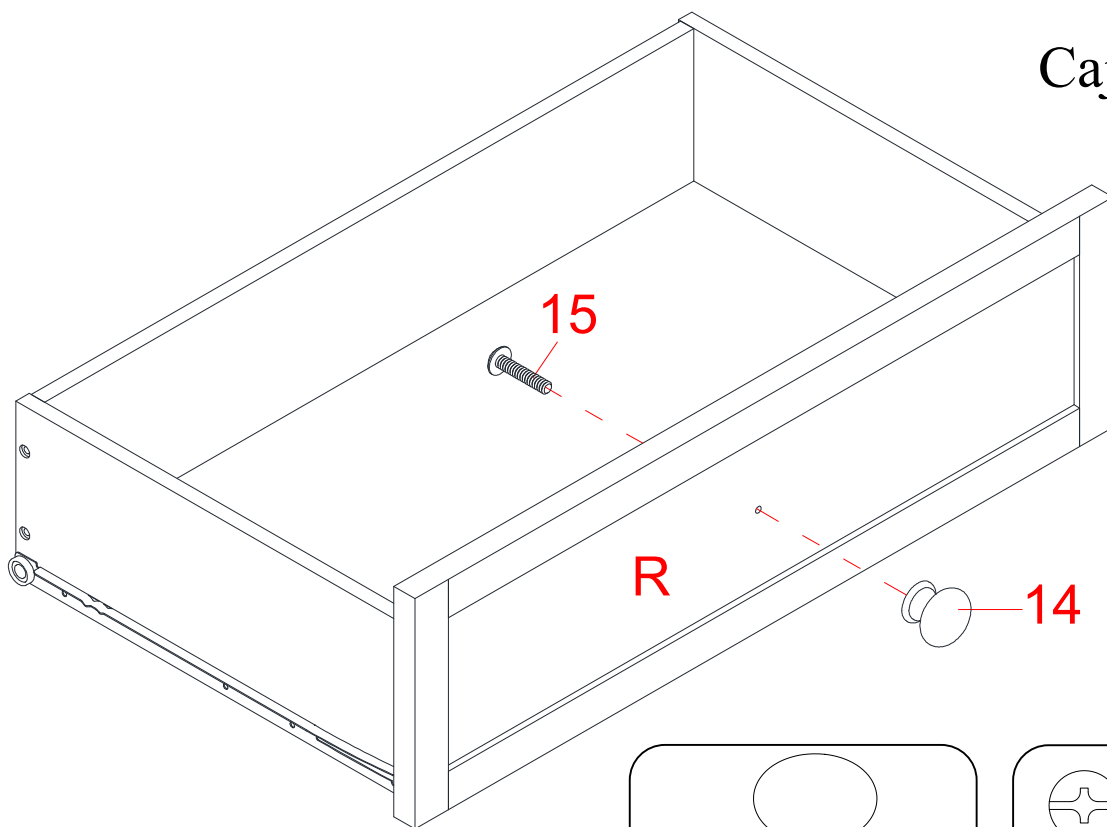


## Instrucciones de ensamble

Cajón pequeño  
x 3

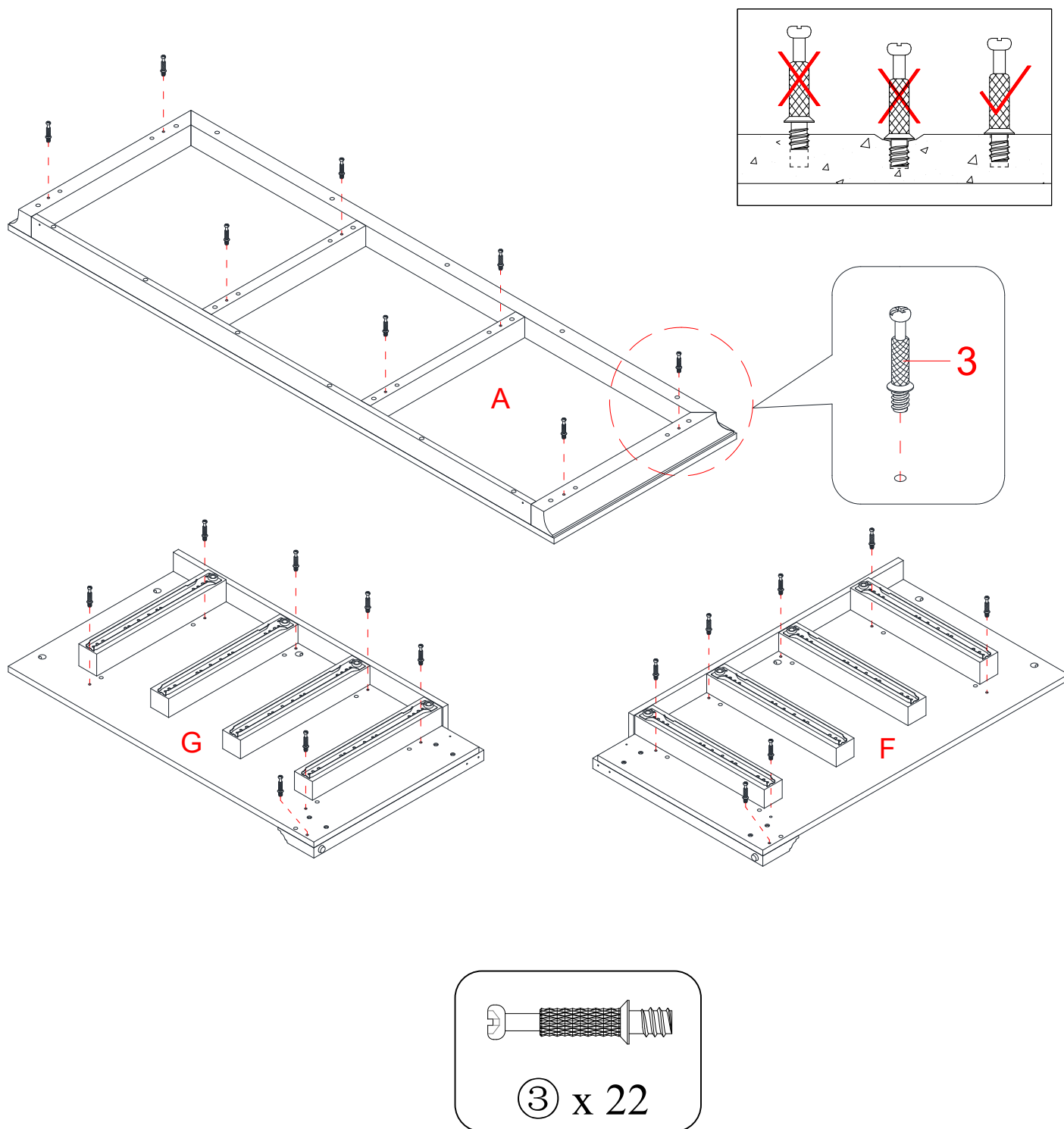


Cajón grande  
x 6



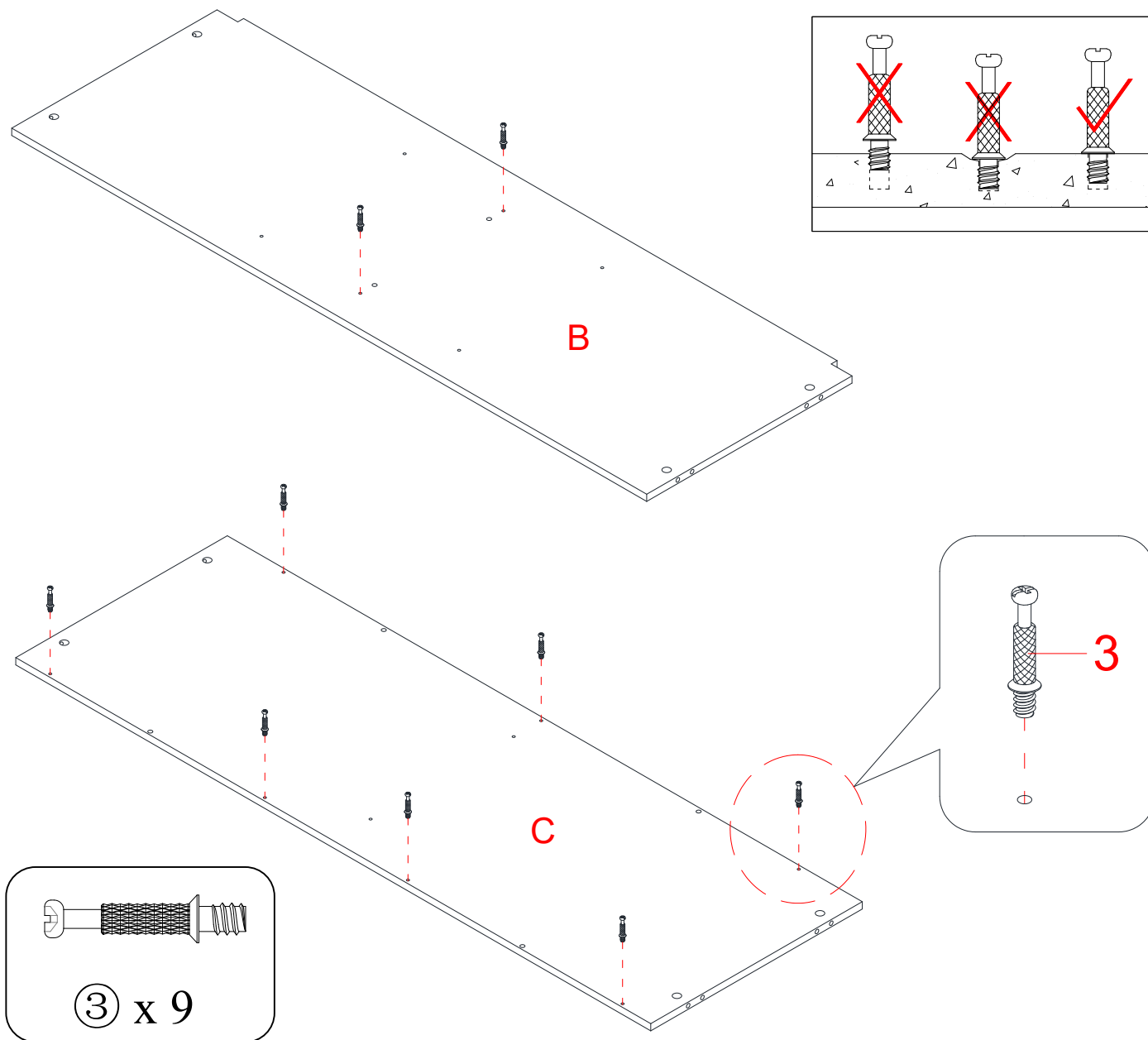
10. Instalar una perilla (14) al frente de cada panel frontal del cajón (M y R) con un perno de 22 mm (15).

## Instrucciones de ensamble



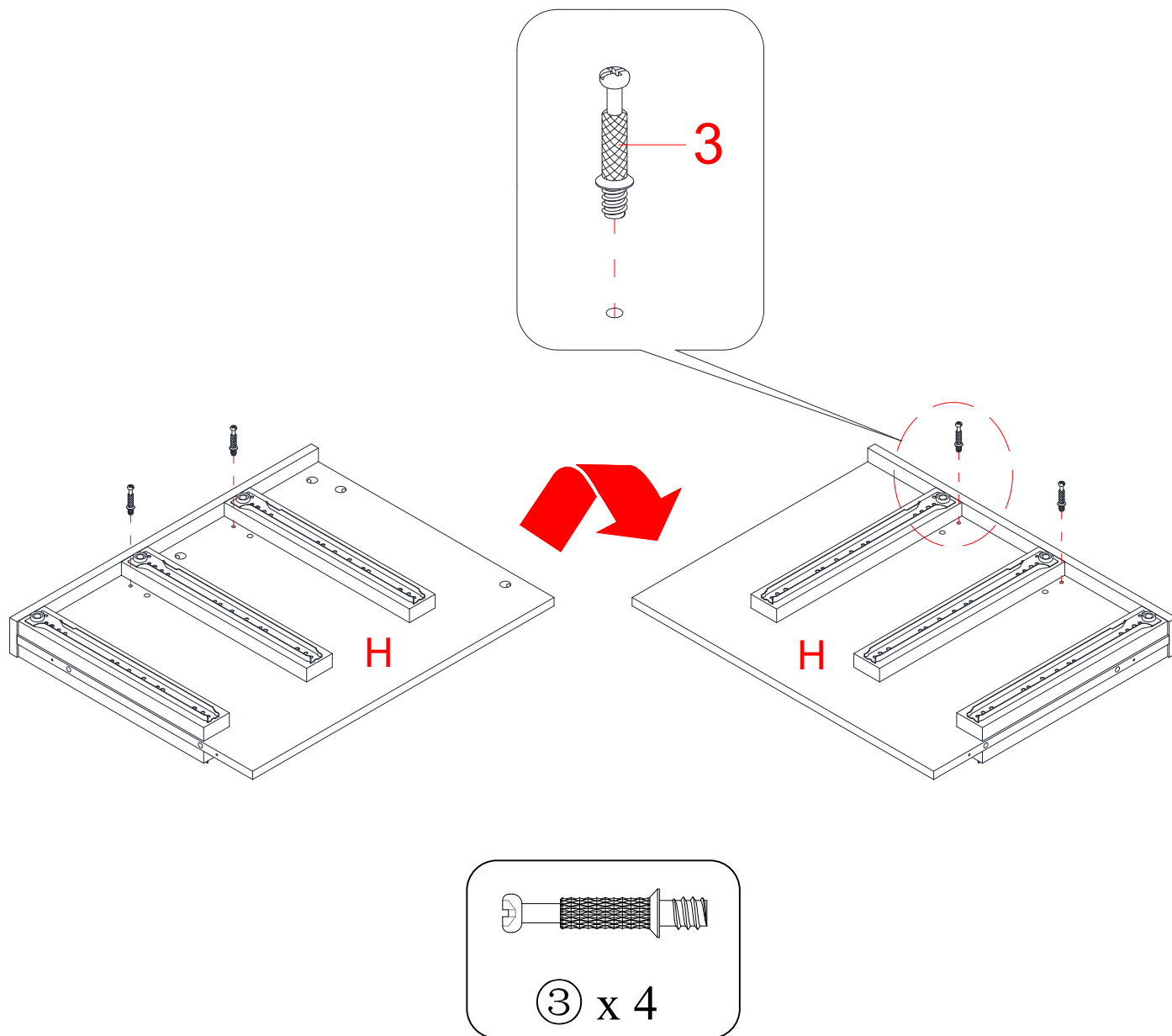
11. Atornillar los pernos de fijación (3) en los agujeros pequeños designados en el panel superior (A) y en los paneles laterales (F y G) usando el desarmador estrella.

## Instrucciones de ensamble



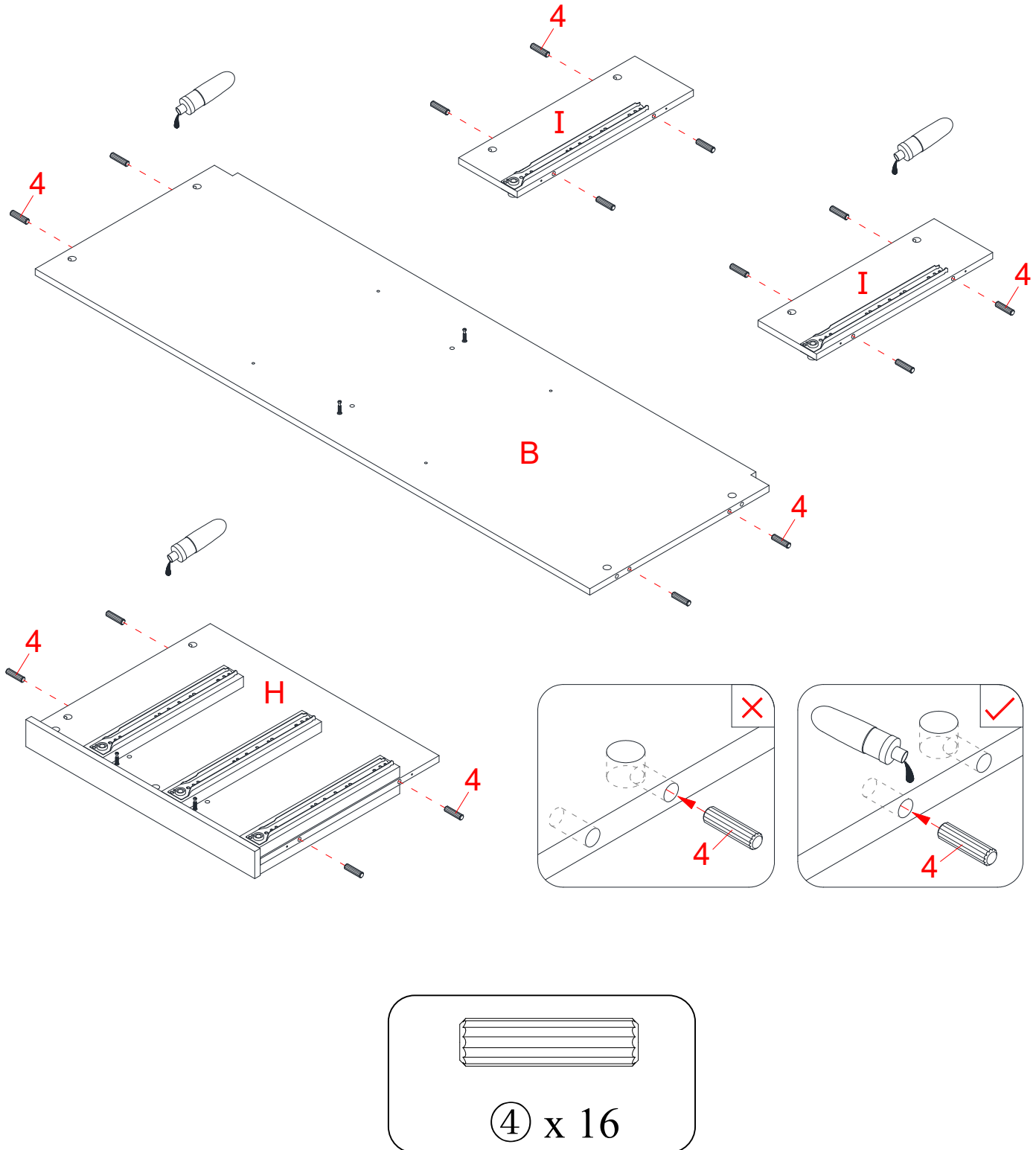
12. Atornillar los pernos de fijación (3) en los agujeros pequeños designados en el panel fijo (B) y en el panel inferior (C) usando el desarmador estrella.

## Instrucciones de ensamble



13. Atornillar 4 pernos de fijación (3) en los agujeros pequeños designados en ambos lados del panel divisor inferior (H) usando el desarmador estrella.

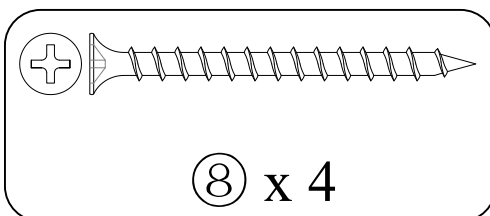
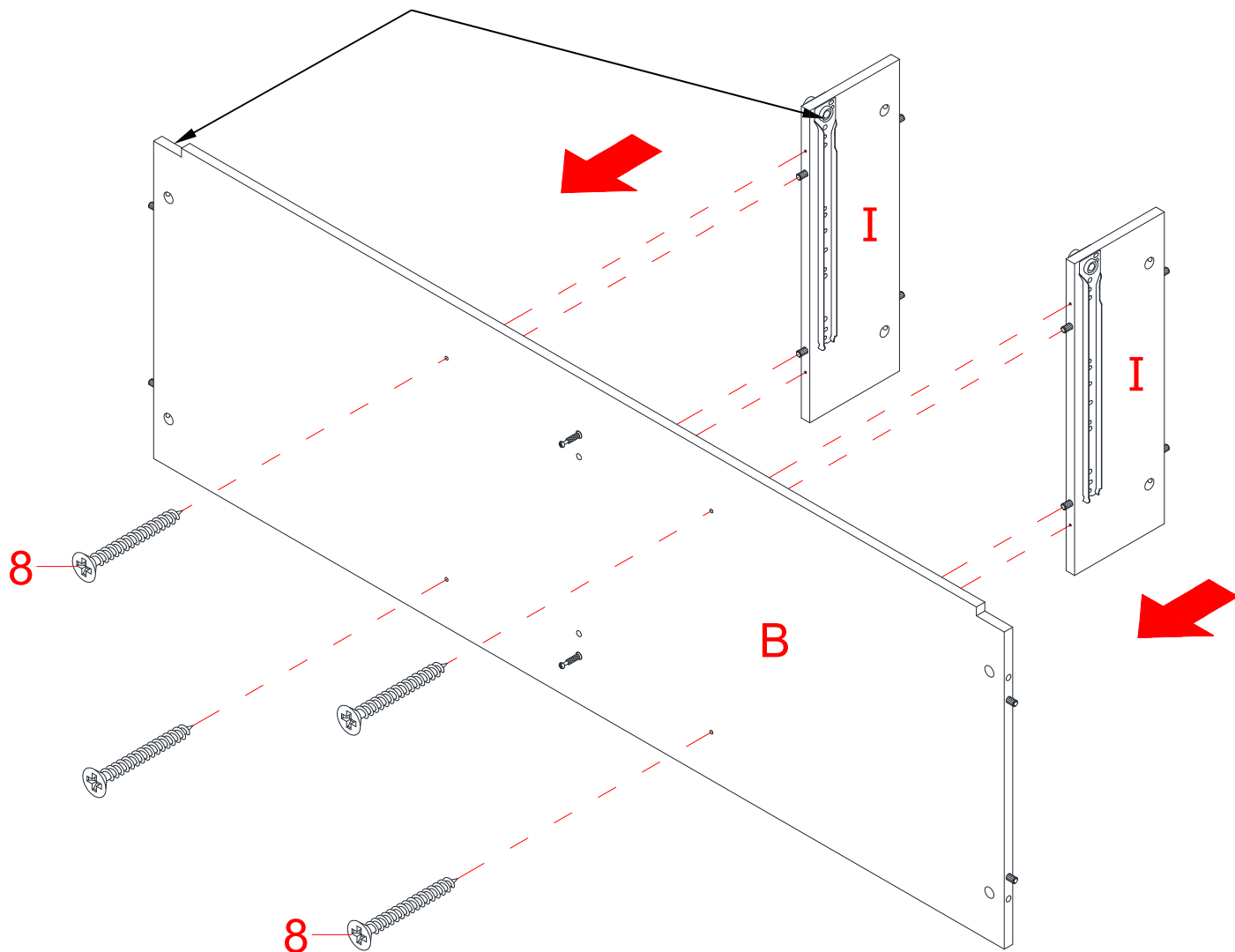
## Instrucciones de ensamble



14. Pegar las clavijas de madera grande (4) en los agujeros internos en el panel fijo (B) y en los paneles divisores (H y I) como se muestra.

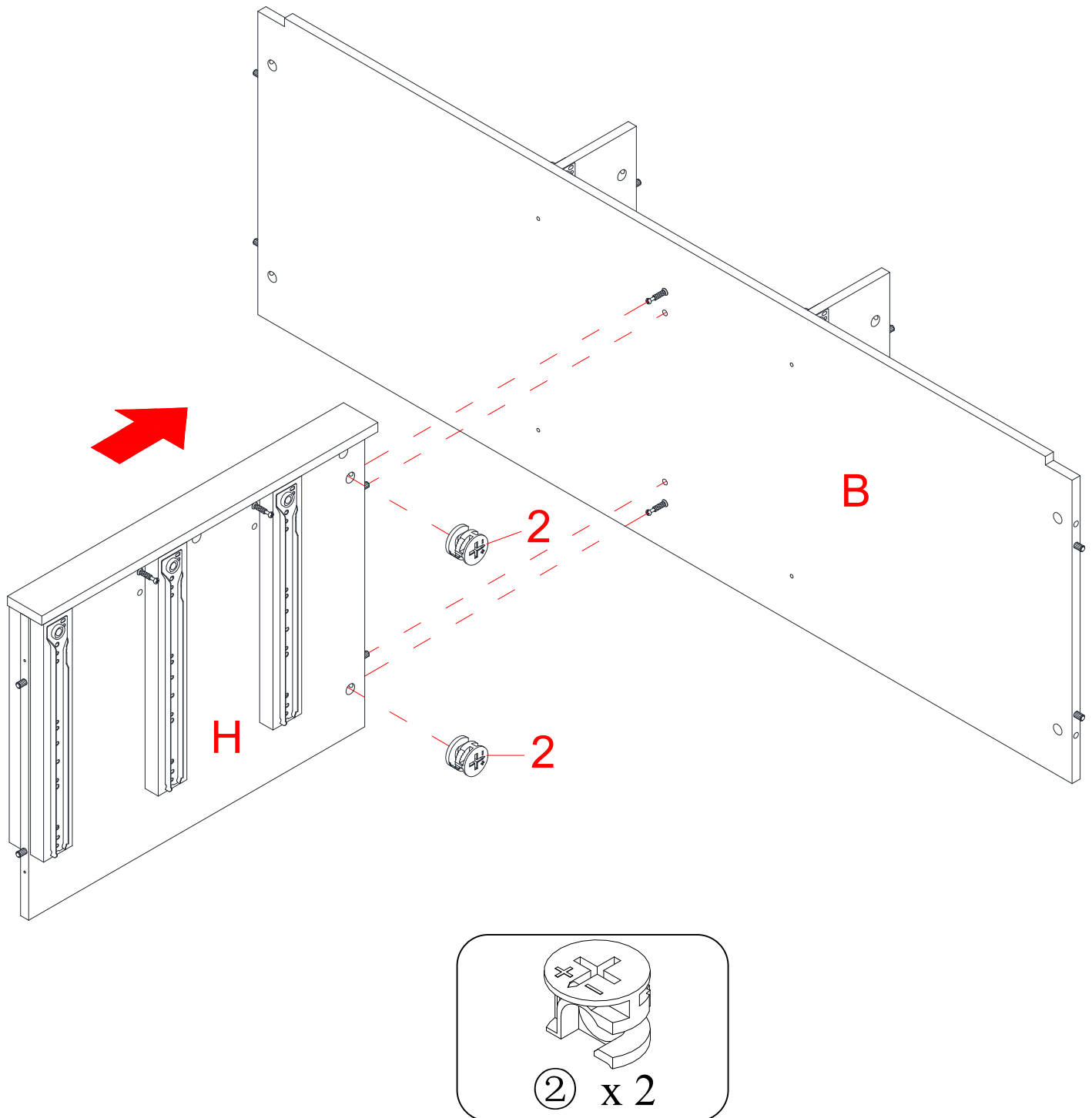
## Instrucciones de ensamble

Los rodillos y los recortes están orientados hacia el lado frontal.



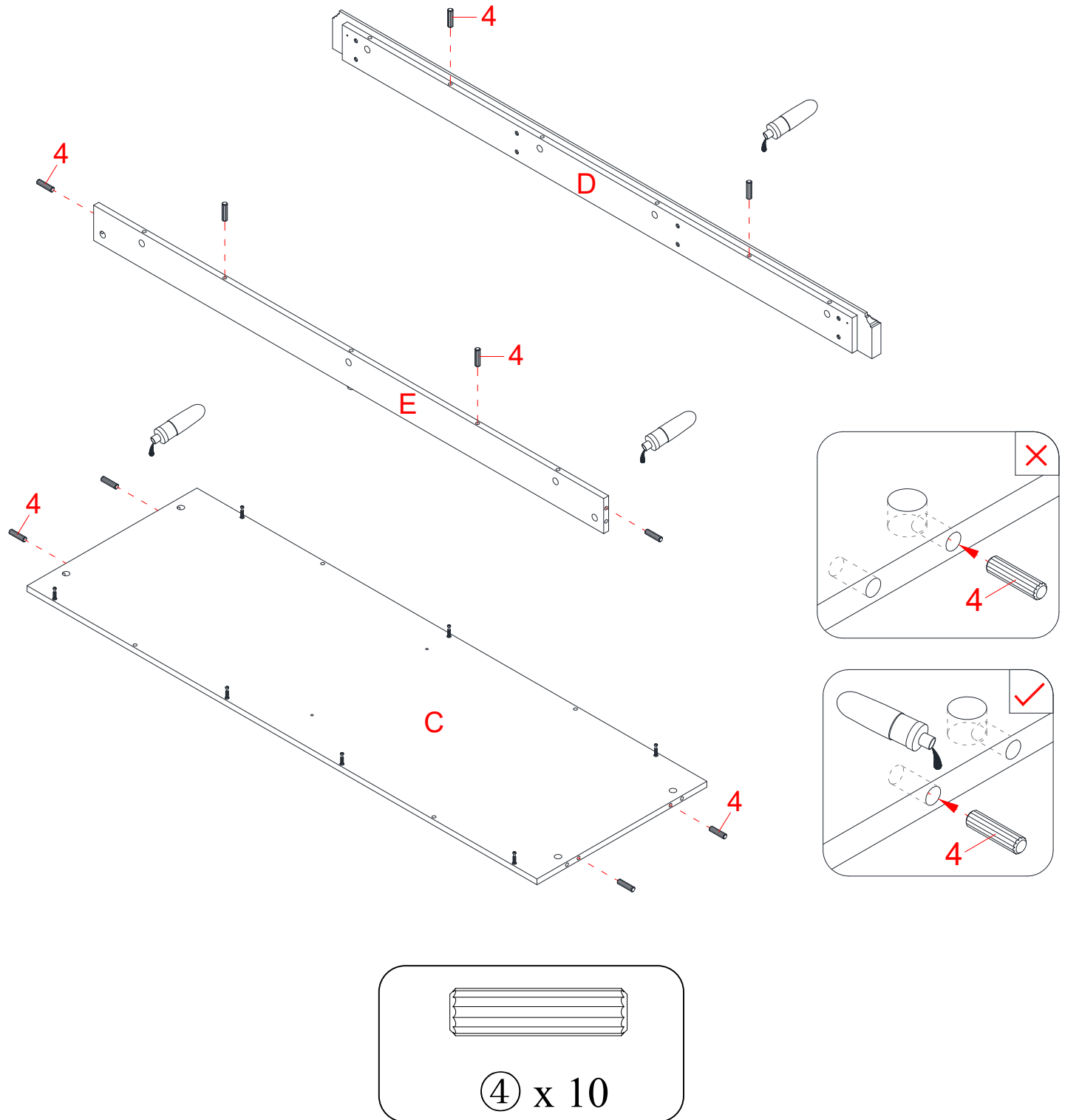
15. Orientar y adjuntar los paneles divisores superiores (I) al panel fijo (B) con 4 pernos de 50mm (8).

## Instrucciones de ensamble



16. Alinear y adjuntar el panel divisor inferior (H) al panel fijo (B) empleando 2 tuercas de fijación grandes (2).

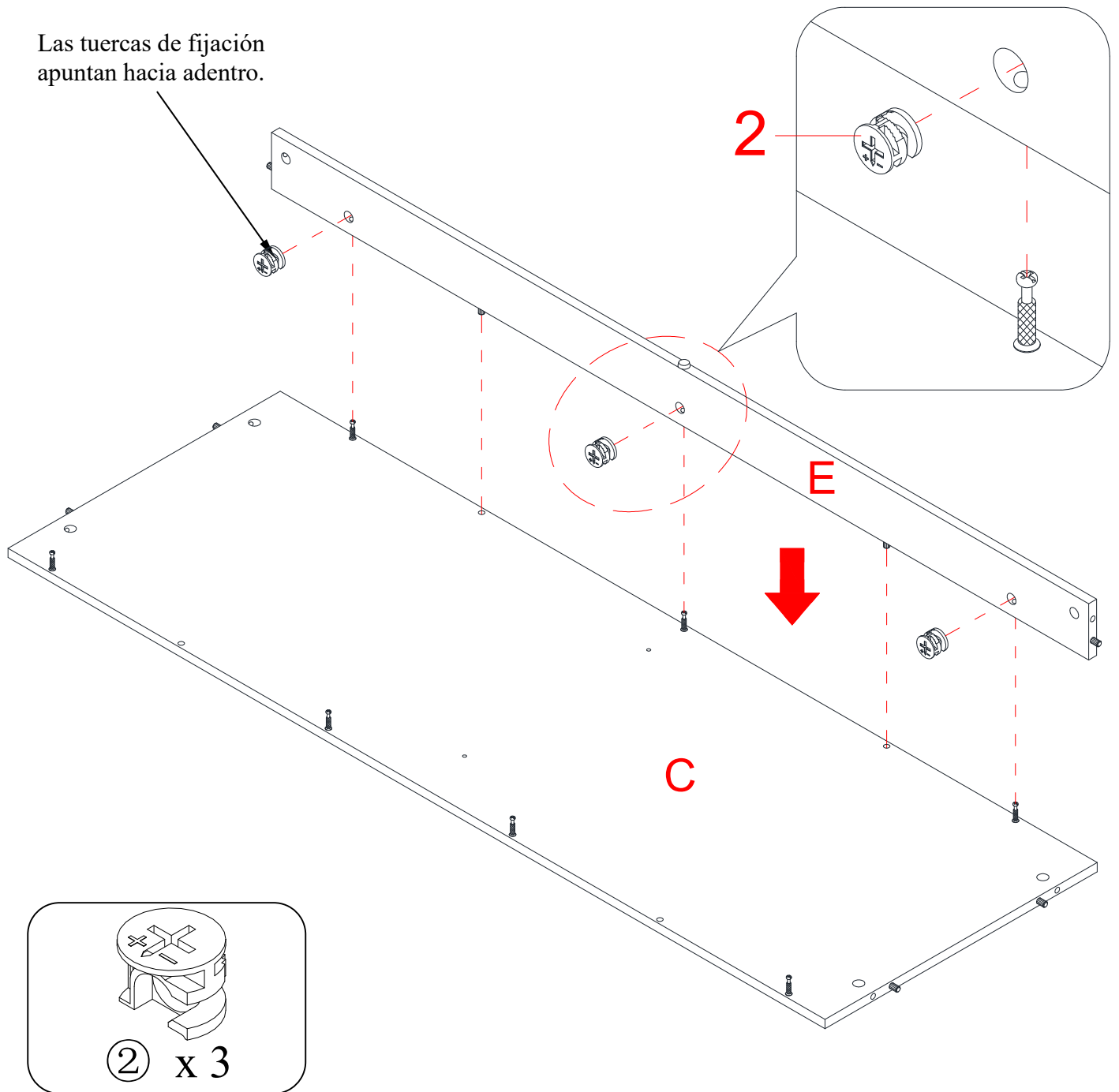
## Instrucciones de ensamble



17. Pegar las clavijas de madera grandes (4) en los agujeros internos en el panel inferior (C) y en las faldas inferiores (D y E).



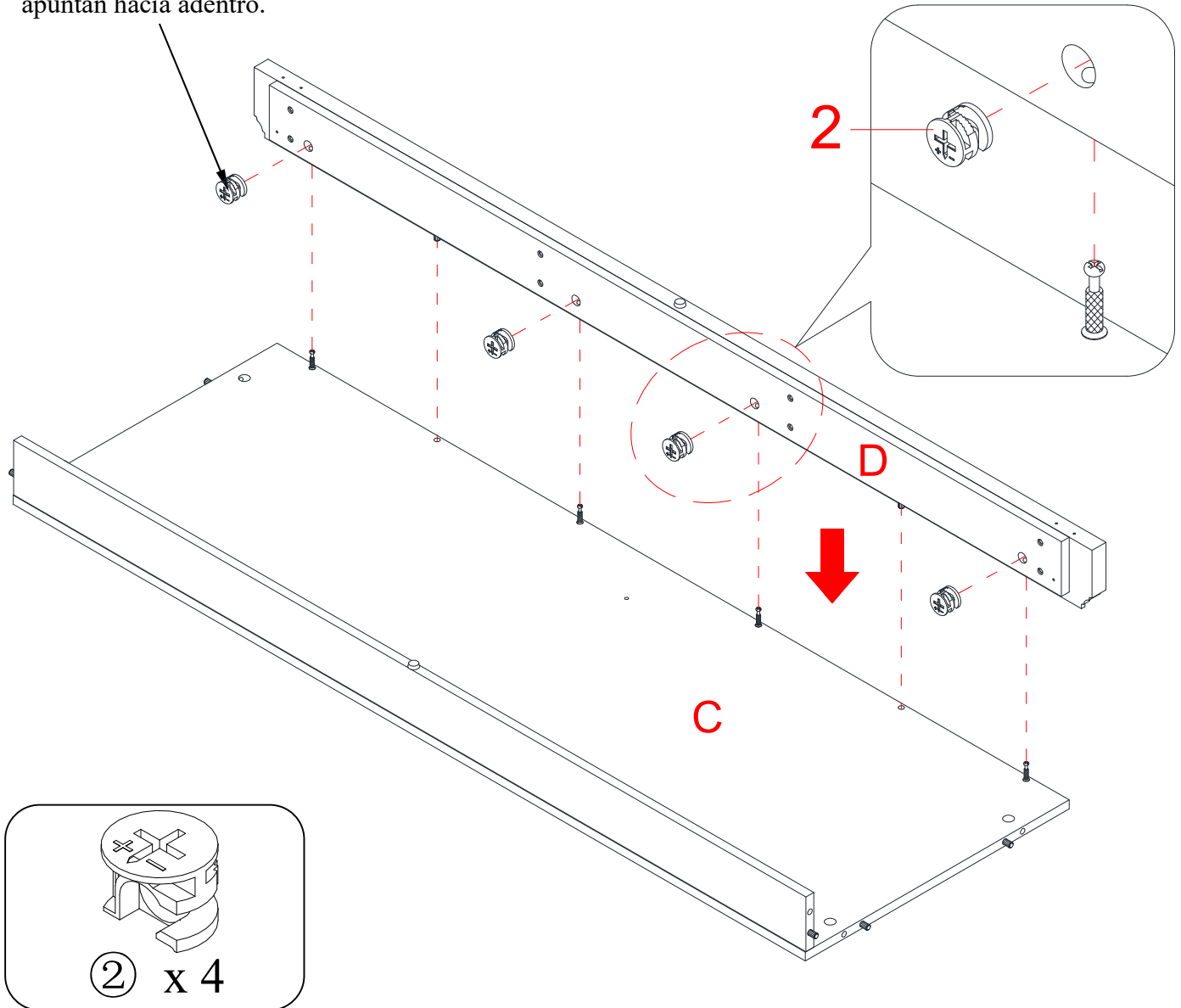
## Instrucciones de ensamble



18. Adjuntar el soporte inferior posterior (E) al panel inferior (C) empleando 3 tuercas de fijación grandes (2).

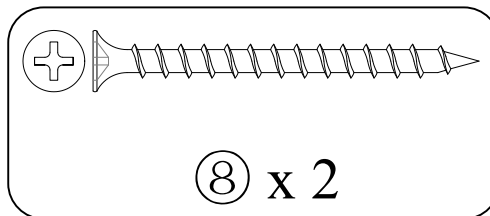
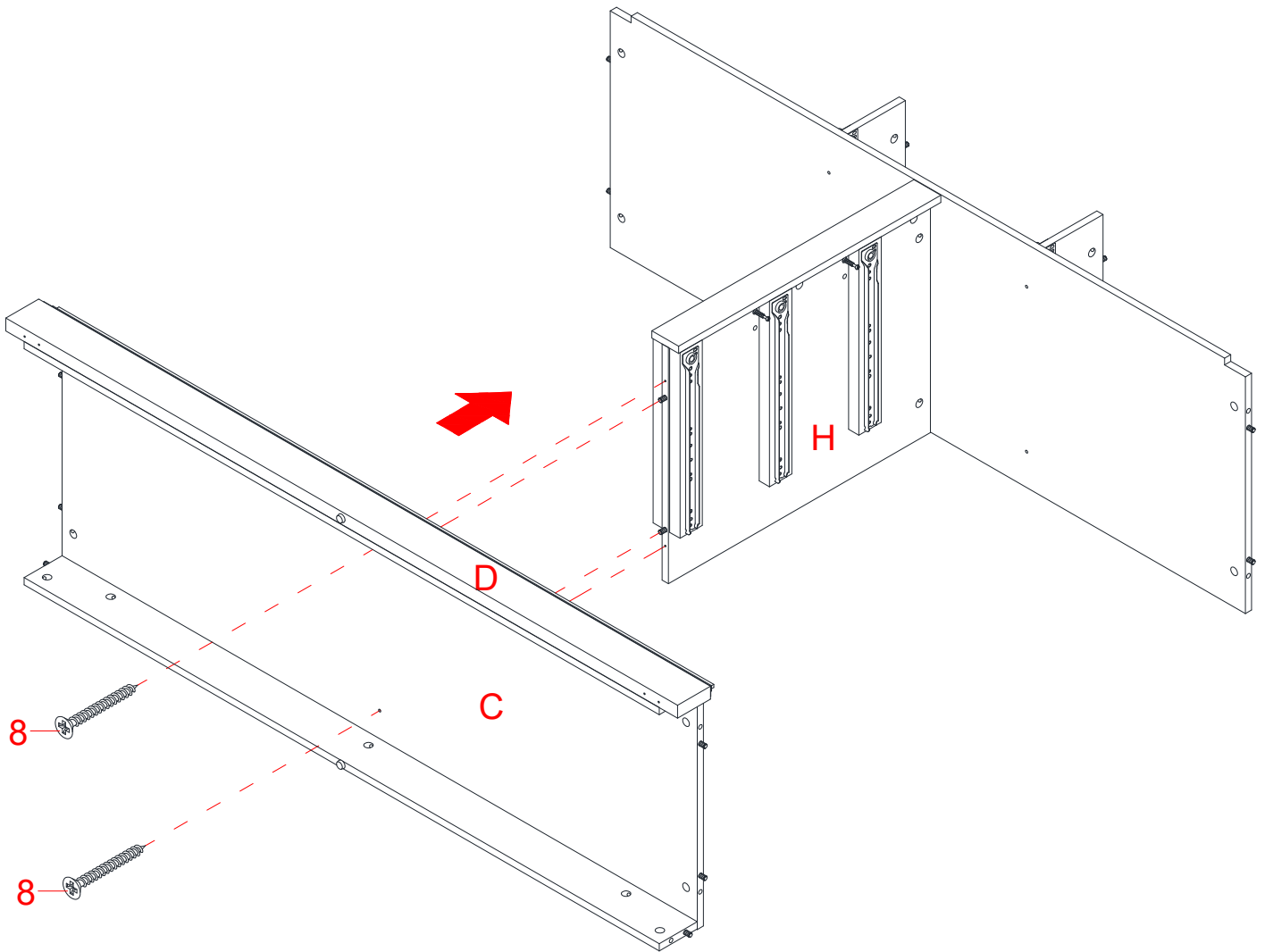
## Instrucciones de ensamble

Las tuercas de fijación apuntan hacia adentro.



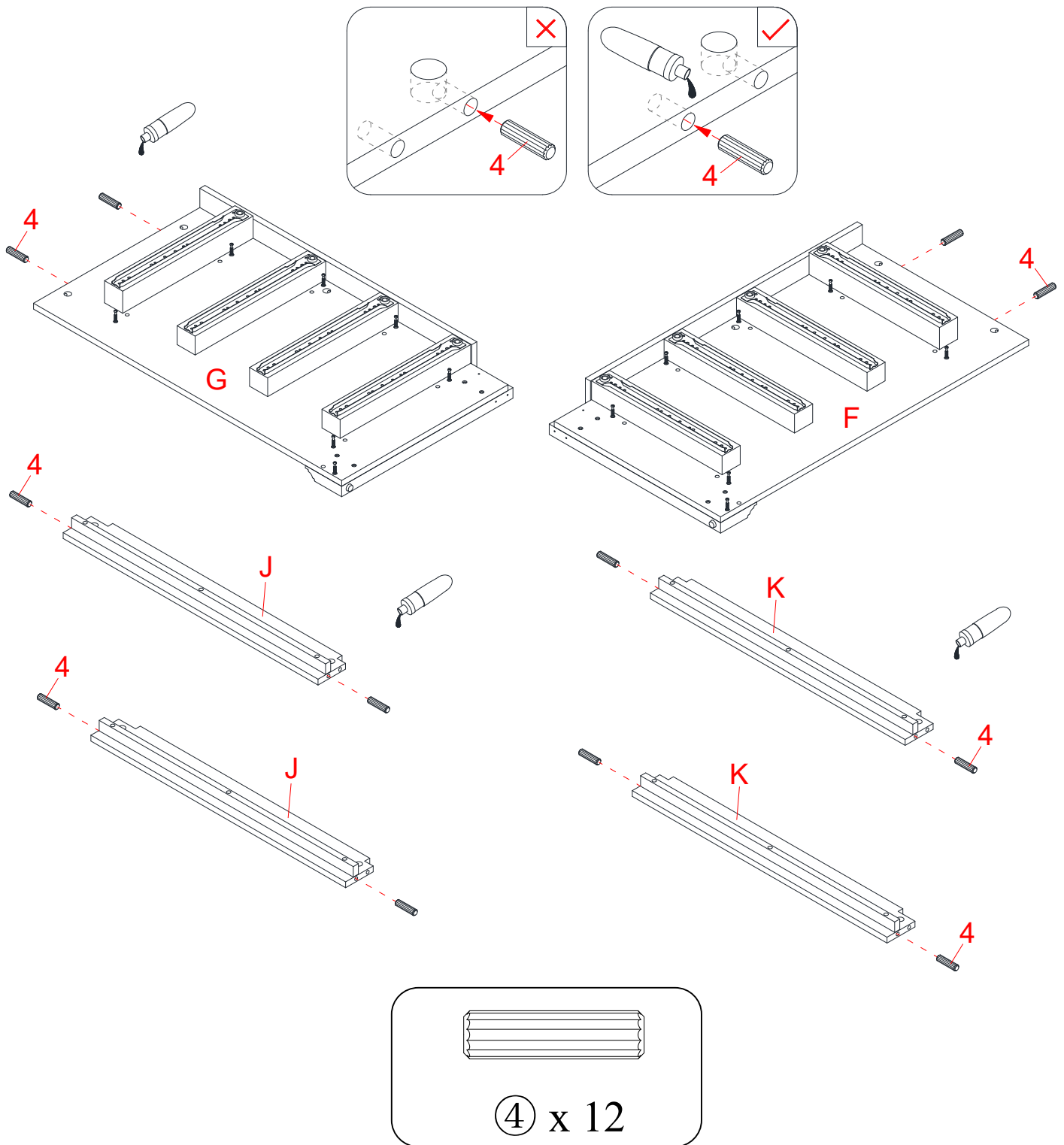
19. Alinear y adjuntar la falda inferior frontal (D) al panel inferior (C) empleando 4 tuercas de fijación grandes (2).

## Instrucciones de ensamble



20. Usando las clavijas de madera como guía, presionar los paneles divisores inferiores ensamblados (H) al panel inferior (C) y sujetar en su lugar con 2 pernos de 50mm (8).

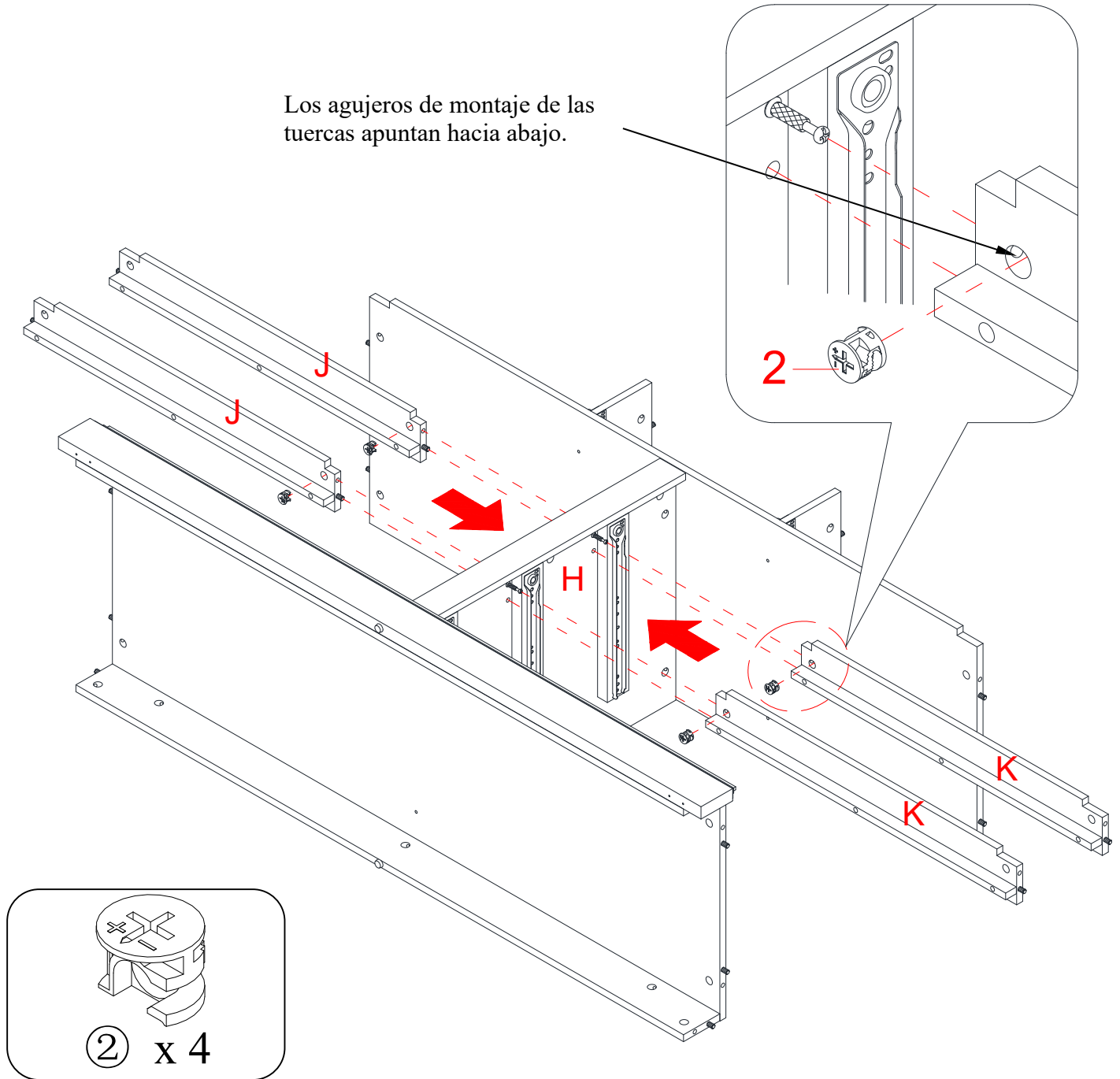
## Instrucciones de ensamble



21. Pegar las clavijas de madera grandes (4) en los agujeros internos en ambos paneles laterales (F y G) y en los soportes (J y K) como se muestra.

## Instrucciones de ensamble

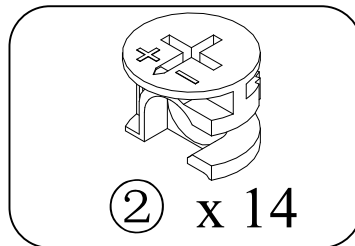
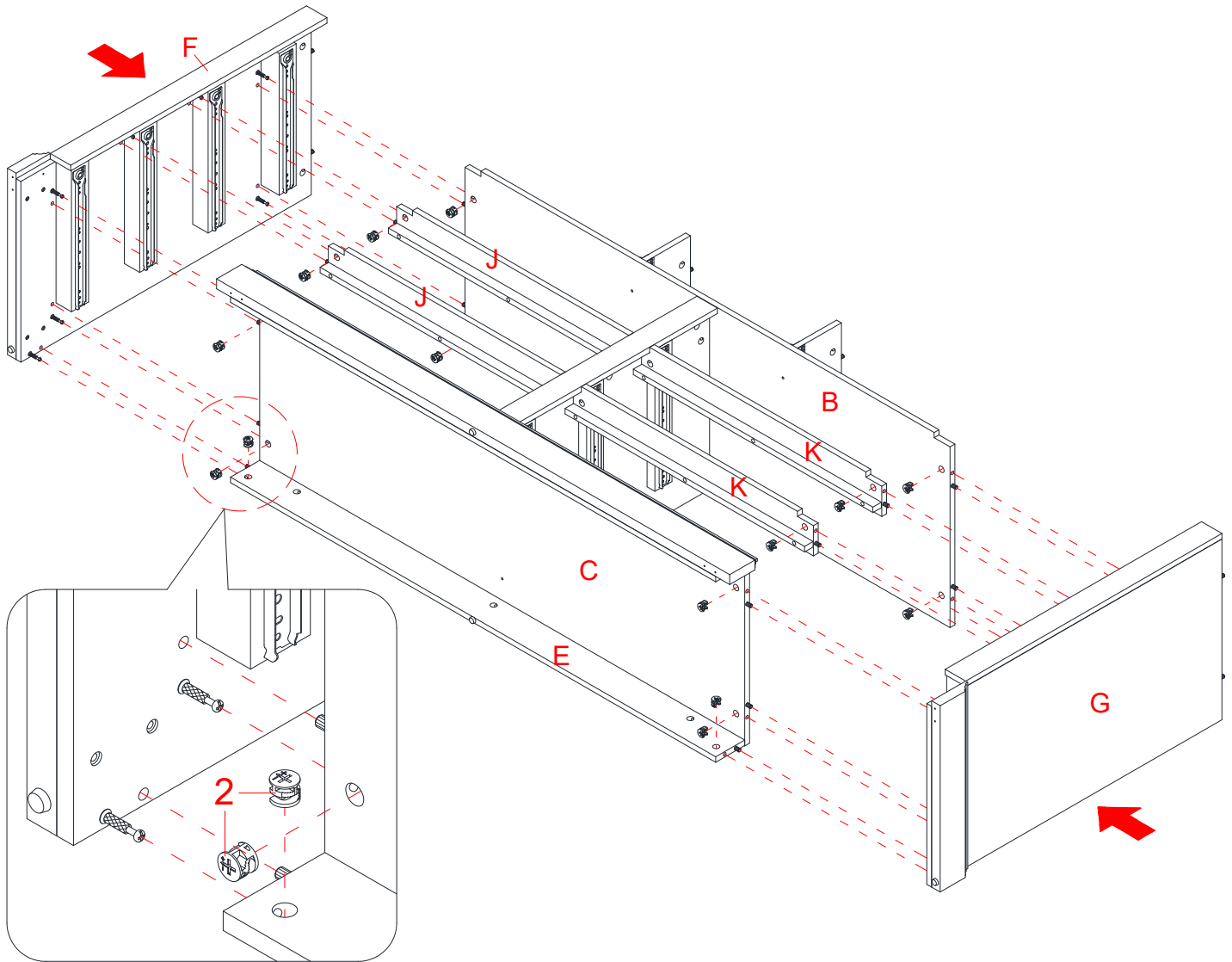
Los agujeros de montaje de las tuercas apuntan hacia abajo.



22. Orientar y adjuntar el soporte izquierdo (J) al lado izquierdo del panel divisor inferior (H) con 2 tuercas de fijación grandes (2).

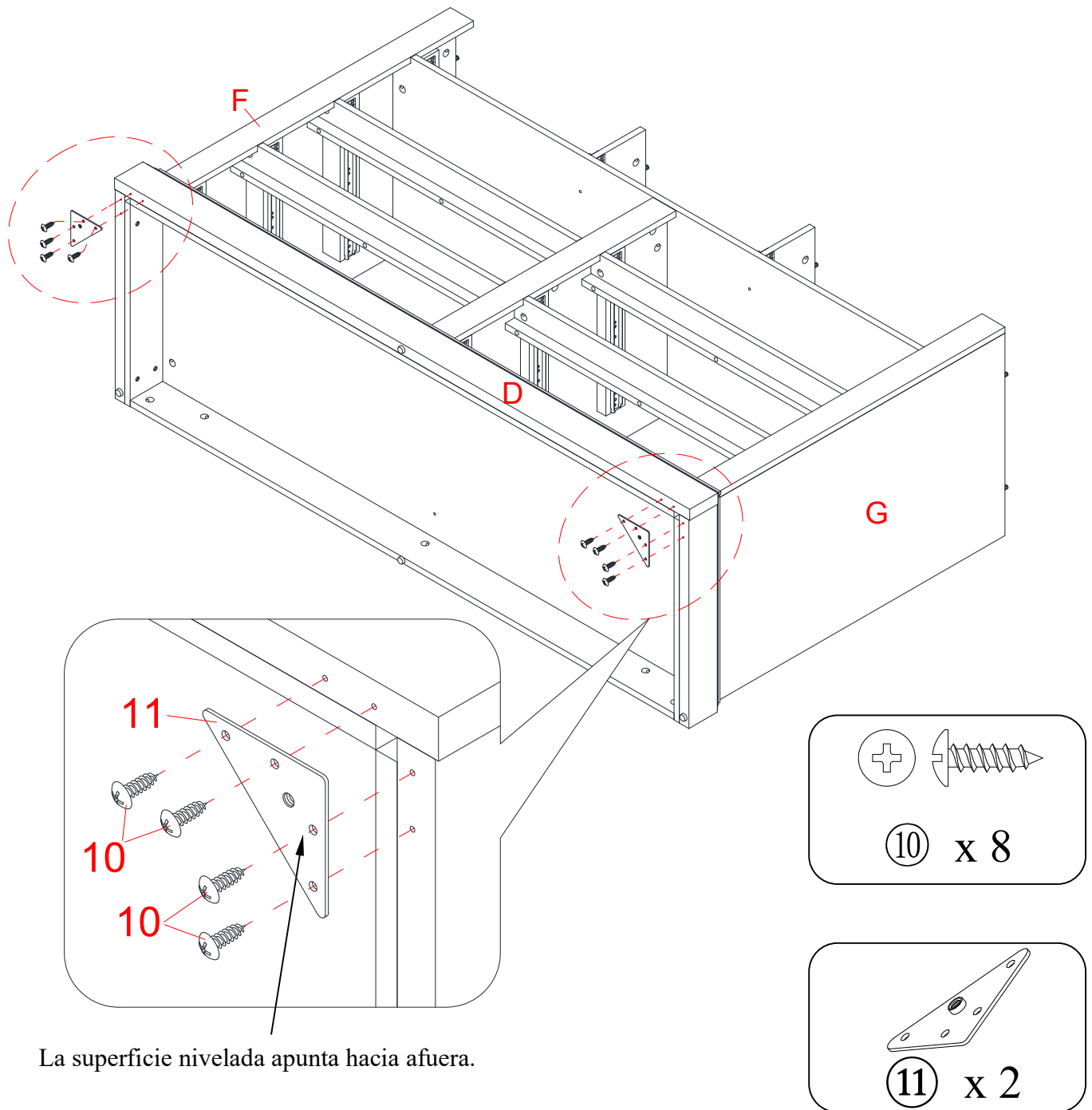
23. Repetir el mismo procedimiento para el soporte derecho (K).

## Instrucciones de ensamble



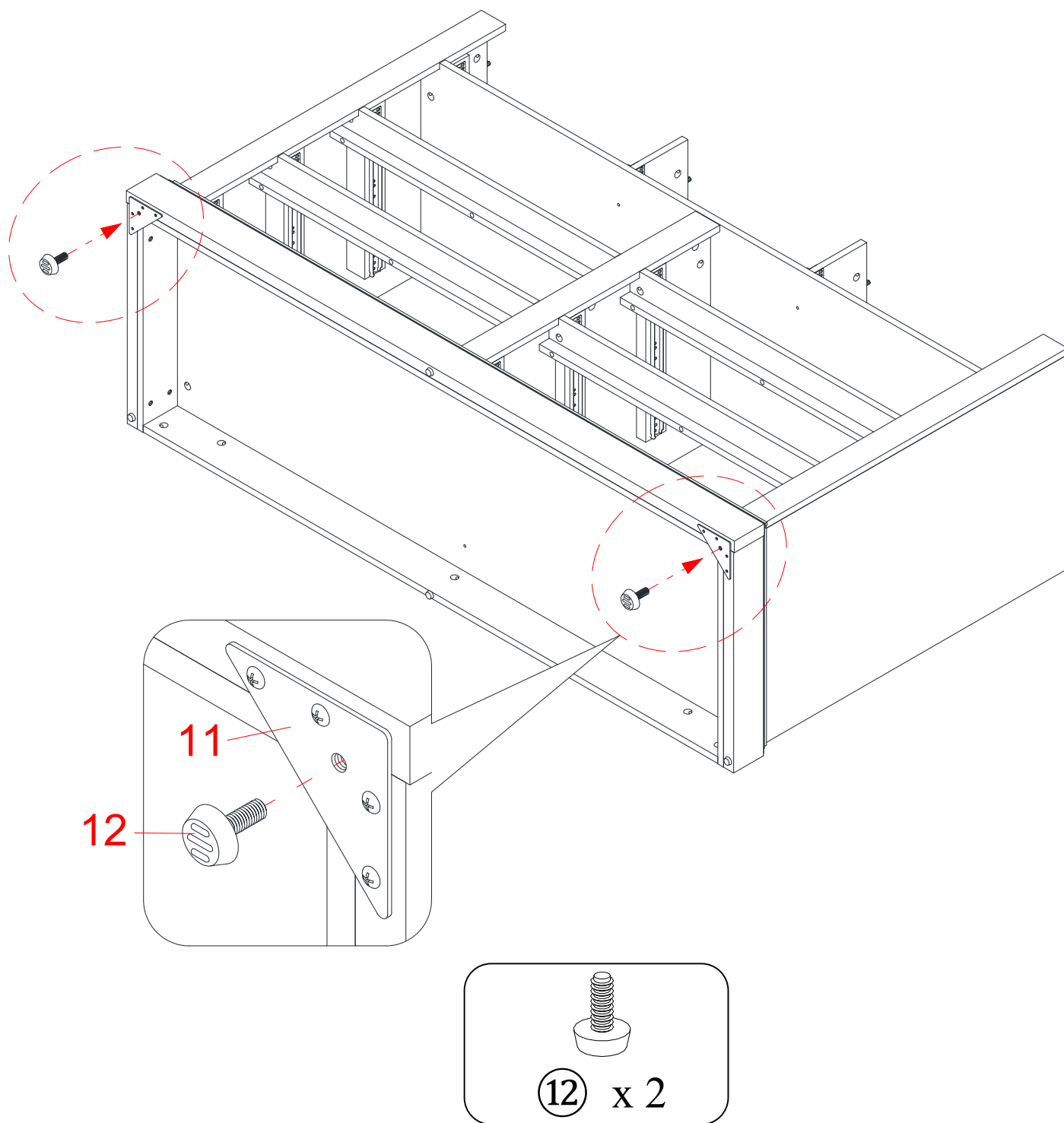
24. Alinear los agujeros grandes en el panel izquierdo (F) con las clavijas de madera insertadas en el ensamble. Adjuntar el panel izquierdo (F) en su lugar empleando 7 tuercas de fijación grandes (2).
25. Repetir el mismo procedimiento para adjuntar el panel derecho (G) al otro extremo.

## Instrucciones de ensamble



26. Usando los agujeros pilotos como guía, sujetar 2 placas de metal triangulares (11) en las conexiones inferiores entre los paneles laterales (F y G) y la falda inferior frontal (D) usando 4 pernos de cabeza redonda (10) por placa.

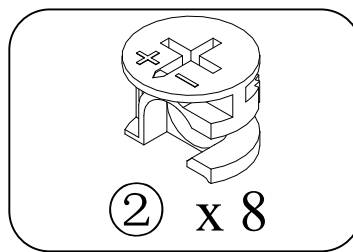
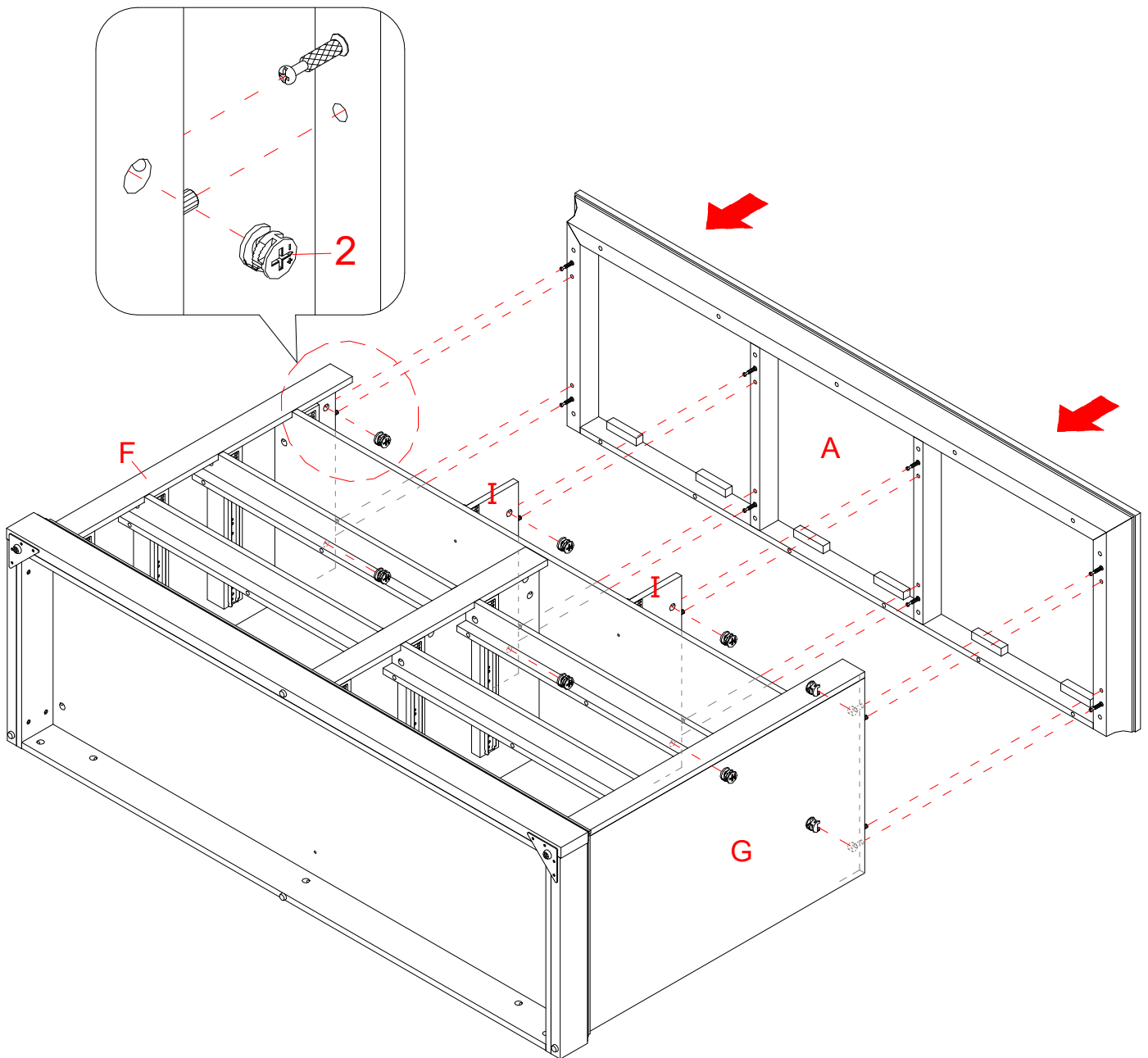
## Instrucciones de ensamble



27. Atornillar 2 niveladores de piso (12) en los espacios roscados en las placas de metal triangulares (11) y ajustar a la altura correcta.

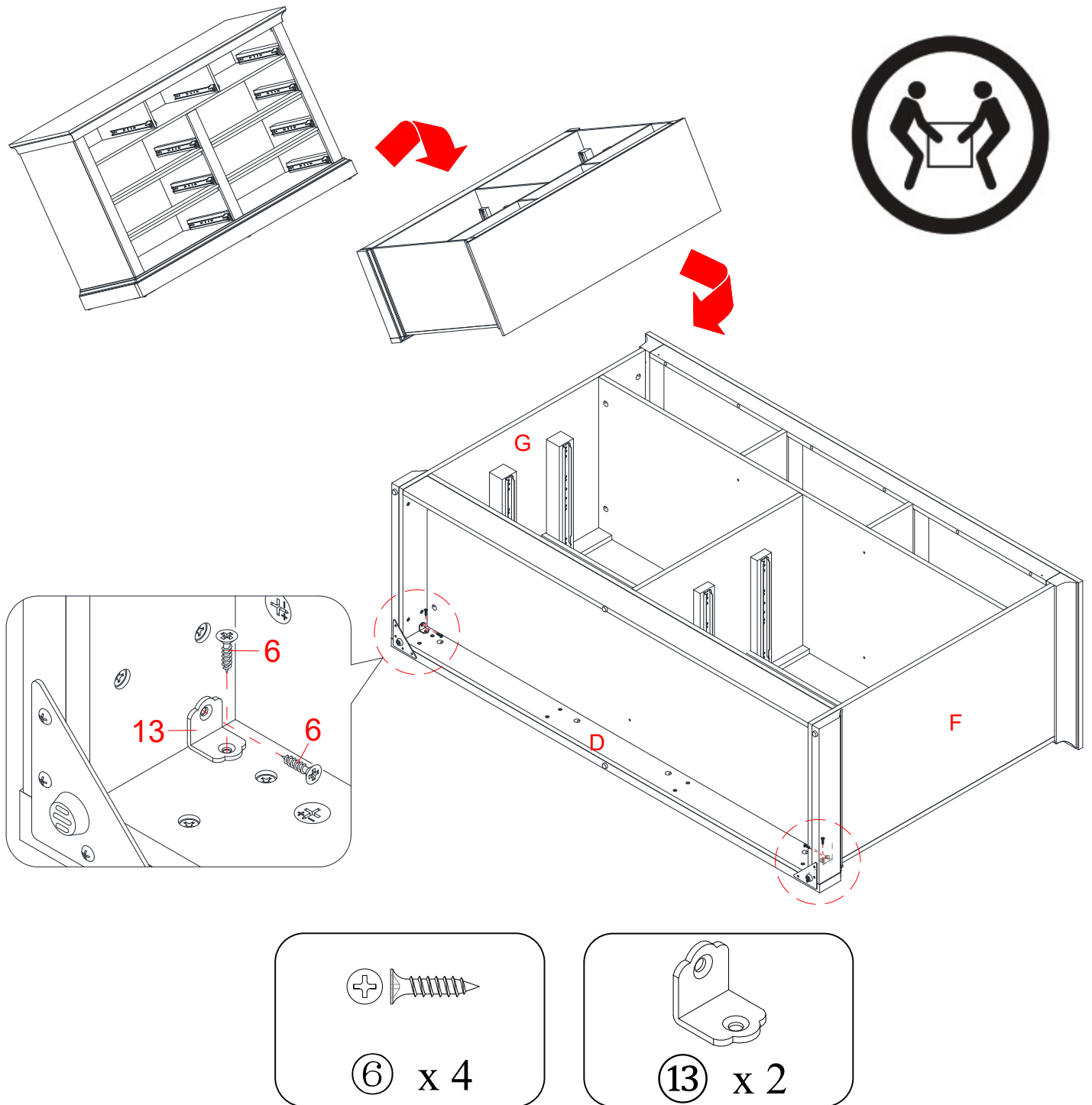


## Instrucciones de ensamble



28. Poner el panel superior (A) sobre los paneles verticales (F, G y I) apropiadamente y sujetar en su lugar con 8 tuercas de fijación grandes (2).

## Instrucciones de ensamble

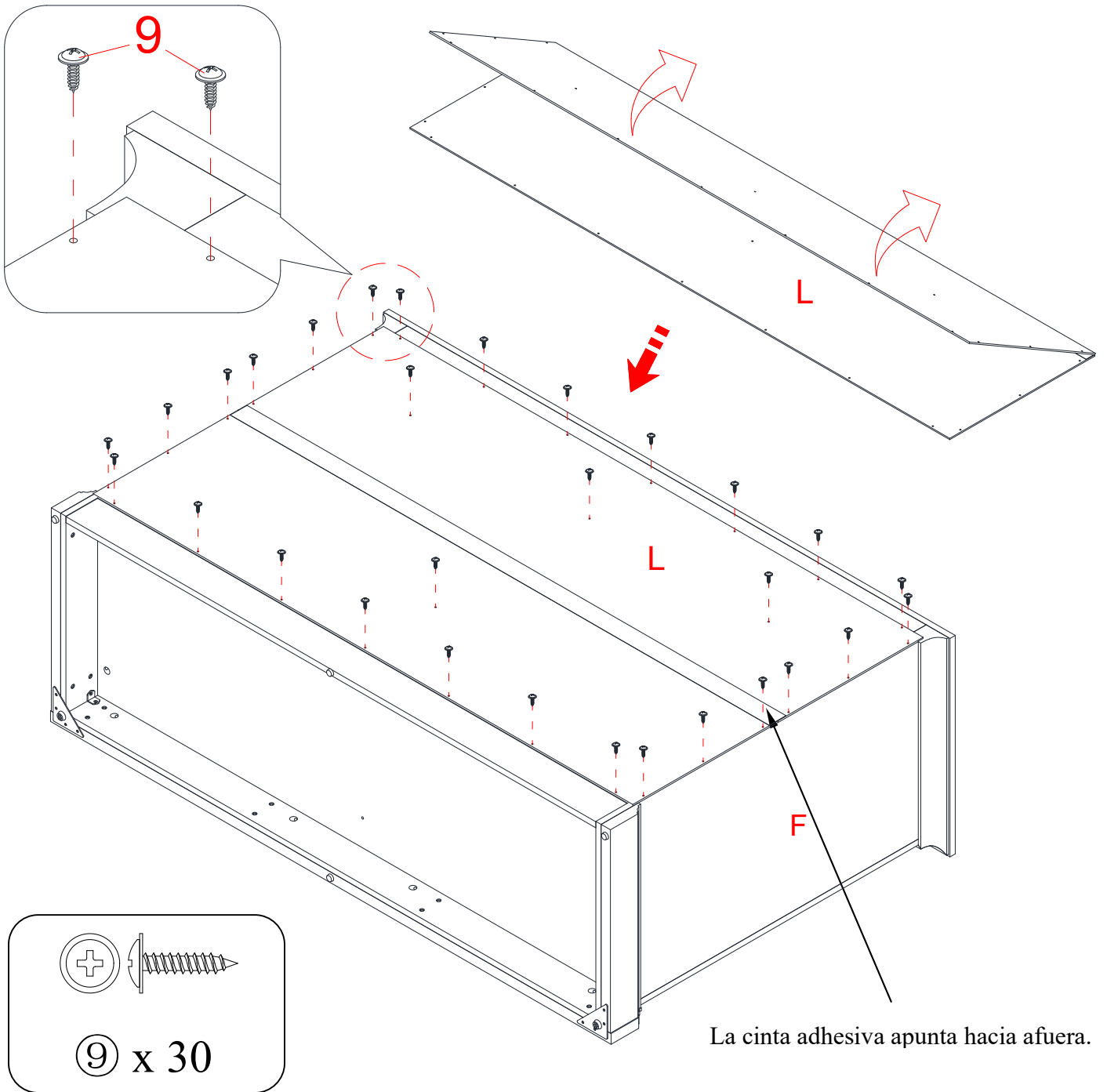


29. Pedir asistencia para voltear la unidad ensamblada en sus bordes frontales.

30. Usando los agujeros pilotos como guía, instalar 2 soportes L (13) en las conexiones entre los paneles laterales (F y G) y la falda inferior frontal (D) con 4 pernos de 15mm (6).

31. Ahora, volver y apretar todas las tuercas de fijación y los pernos. Asegurar que todas las partes estén apretadas y de que no hay huecos entre las partes. Esto ayudara a mantener la unidad cuadrada.

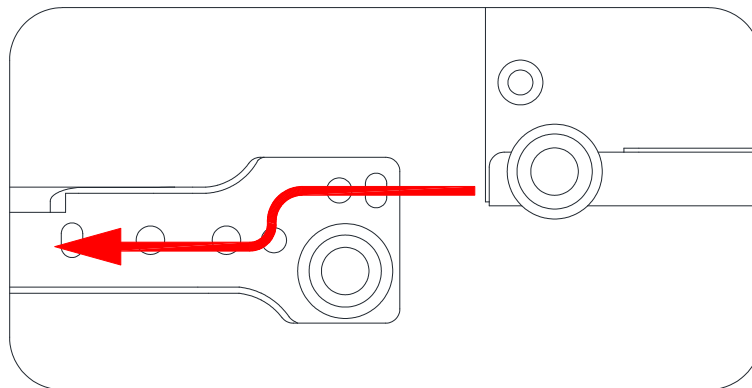
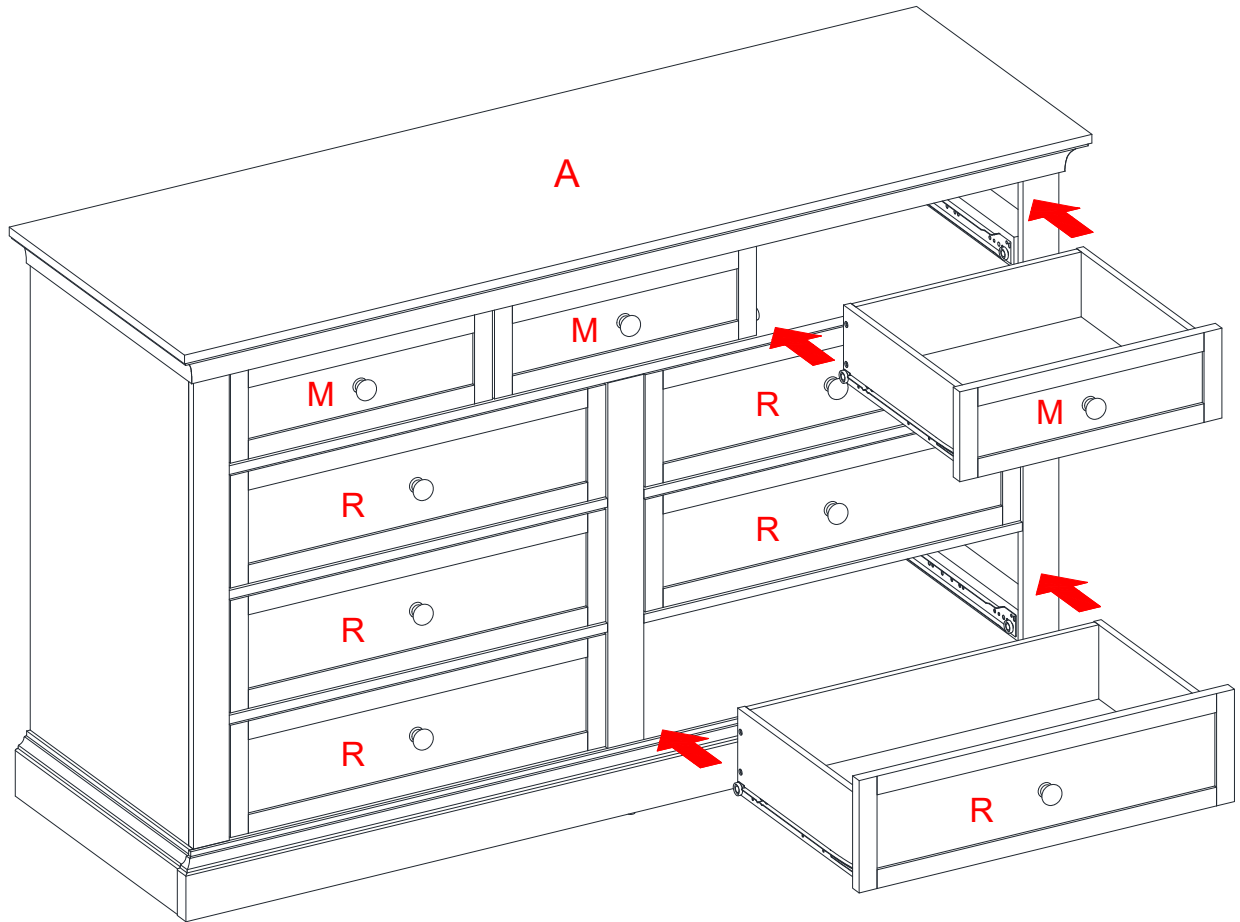
## Instrucciones de ensamble



32. Desdoblar el panel posterior (L) y alinear los agujeros pre-perforados en contra del borde con los agujeros pilotos en el riel posterior del panel superior (A). Y adjuntar en su lugar con los pernos de cabeza de arandela de 15 mm provistos (9).

**NOTA:** Nosotros recomendamos adjuntar el panel posterior con los pernos en las esquinas primero.

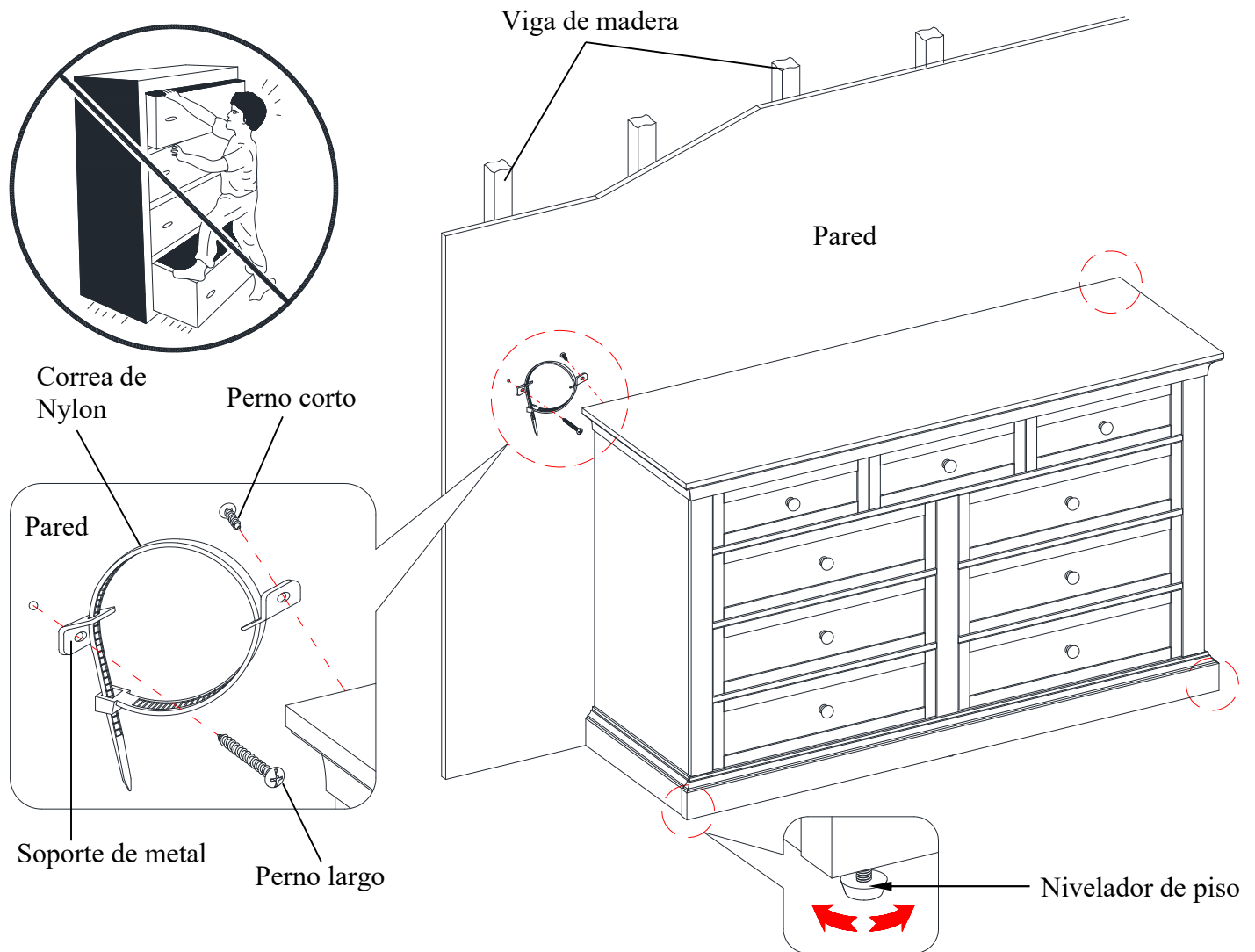
## Instrucciones de ensamble



33. Pedir asistencia para poner la unidad en posición vertical y cerca del lugar final.

34. Insertar los cajones ensamblados al marco, inclinar el frente del cajón para abajo y dejar caer los rodillos de las correderas del cajón atrás de los rodillos de los carriles de corredera en la unidad. Levantar el frente del cajón hacia arriba y deslizar en la unidad.

## Instrucciones de ensamble



**Herramientas requeridas (no provistas):** Desarmador estrella, buscador de vigas, lápiz, cinta métrica, taladro y broca de 1/8 pulgadas.

35. Poner la unidad ensamblada en el lugar deseado contra la pared. Si fuera necesario, ajustar los niveladores de piso (12) para corregir la inclinación.
36. Ahora, seguir las instrucciones imprimidas en la bolsa de plástico que contiene el juego de restricción de movimiento para adjuntar los topes de movimiento a la unidad y pared.

**NOTA:** El juego de restricción incluido es para paredes de tablaroca. Sera necesario taladrar agujeros para las anclas de pared. Dependiendo de la construcción de pared, diferentes anclas podrán ser requeridas. Por favor contacte su tienda local de ferretería para asistencia. Niños pequeños pueden resultar lastimados por muebles inclinados. Debe instalar el juego de restricción de movimiento con la unidad en función, para prevenir la inclinación de la unidad, causando cualquier accidente o daño. El tope de movimiento es solo un impedimento, no hay sustituto para la supervisión adulta. El tope de movimiento no es contra terremoto. Si deseara añadir la seguridad extra contra terremotos, deben ser comprados e instalados separadamente.


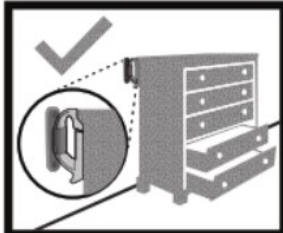
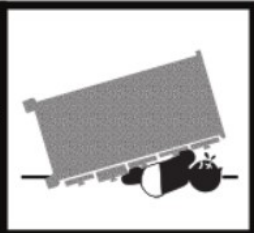
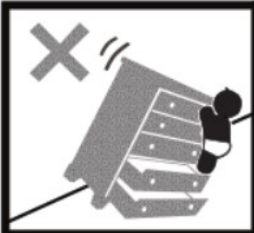
# SISTEMA DE RESTRICCIÓN DE MOVIMIENTO

NIÑOS PEQUEÑOS PUEDEN RESULTAR LASTIMADOS POR MUEBLES INCLINADOS Y DEBE INSTALAR EL JUEGO DE RESTRICCIÓN DE MOVIMIENTO CON LA UNIDAD EN FUNCIÓN, PARA PREVENIR LA INCLINACIÓN DE LA UNIDAD, CAUSANDO CUALQUIER ACCIDENTE O DAÑO.

ESTÉ JUEGO DEBE SE INSTALADO CORRECTAMENTE (SIGA LAS DIRECCIÓN EN ORDEN DE LAS INSTRUCCIONES), PARA PROVEER PROTECCIÓN EN CONTRA DE LA INCLINACIÓN INESPERADA DEL MUEBLE DEBIDO AL USO INAPROPIADO.

EL TOPE DE MOVIMIENTO ES SOLO UNA PROTECCIÓN. NO HAY SUBSTITUTO PARA LA SUPERVISIÓN ADULTA. EL USO DE TOPES DE MOVIMIENTOS SOLO REDUCE, PERO NO ELIMINA, EL RIESGO DE UN MUEBLE QUE SE VOLQUEA.

**⚠ ADVERTENCIA**



**Los niños han muerto por el vuelco de los muebles. Para reducir el peligro de que el mueble se vuelca:**

- SIEMPRE asegurar el mueble a la pared usando un tope de movimiento.
- NUNCA permitir que niños se paren, suban, o cuelguen de los cajones, puertas, o repisas.
- No destruya o retire el sistema de conexión del cajón.
- Poner los objetos más pesados en los cajones inferiores.
- NUNCA poner una TV sobre este mueble.

## Mantenimiento y cuidados

- Use una toalla suave y limpia para evitar daños y rayaduras.
- Uso de cera para pulir muebles no es necesario. Si desea usar cera cheque en un área que no sea visible para revisar su funcionamiento.
- Usar solventes de cualquier tipo puede dañar el acabado del mueble.
- Nunca use agua para limpiar la unidad, ya que le puede dañar el acabado.
- Siempre utilice protección para vasos cuando los ponga sobre la unidad.
- Líquidos derramados deben limpiarse inmediatamente, con una toalla suave evitando tallar.
- Siempre utilizar protectores en caso de poner cosas calientes. El calor puede provocar una reacción química en el acabado y dañarlo.
- En caso que su unidad sea manchada durante el uso le recomendamos hablar a un profesional para que le ayude.
- Revisar los pernos y tornillos periódicamente y apriételos si es necesario.

## Más recomendaciones para el cuidado de su mueble

Es lo mejor mantener la unidad en una area de clima controlado. Temperatura extrema y cambios de humedad pueden causar cambios como partes pandas, molduras que se contraigan o que la madera se raje. Es recomendable mantener la unidad lejos del sol directo ya que puede dañar el acabado.

Cuidados adecuados y limpieza pueden extender la vida útil de su unidad. Siga estas recomendaciones y mantendrá su mueble en buenas condiciones de uso por muchos años.

**Un plumón de retoque es proveído en caso de pequeñas raspaduras o golpes que sucedan durante el ensamble o envío.**

Esperamos que disfrute su mueble por muchos años.  
¡Gracias por su compra!

## GARANTÍA DE CALIDAD

Nosotros estamos seguros que usted se encontrará feliz con la compra de este producto de Whalen Furniture.

Si este producto tiene algun defecto de ensamble o material, o si tiene alguna falla en uso normal, nosotros lo repararemos o lo re-emplazaremos hasta por un año a partir de la fecha de compra. Todo producto de Whalen Furniture es diseñado para alcanzar sus expectativas más altas. Nosotros le garantizamos que inmediatamente podrá ver el valor de nuestra mercancía de la más alta calidad.

Esta garantía le proporciona derechos legales específicos y talvez tenga otros derechos que varian de estado a estado.

Whalen Furniture Manufacturing  
1578 Air Wing Road, San Diego, CA 92154, USA  
Servicio al cliente: 1-866-942-5362  
Hora Estándar del Pacífico: 8:30 a.m. - 4:30 p.m., de Lunes a Viernes  
[www.whalenstyle.com](http://www.whalenstyle.com)

