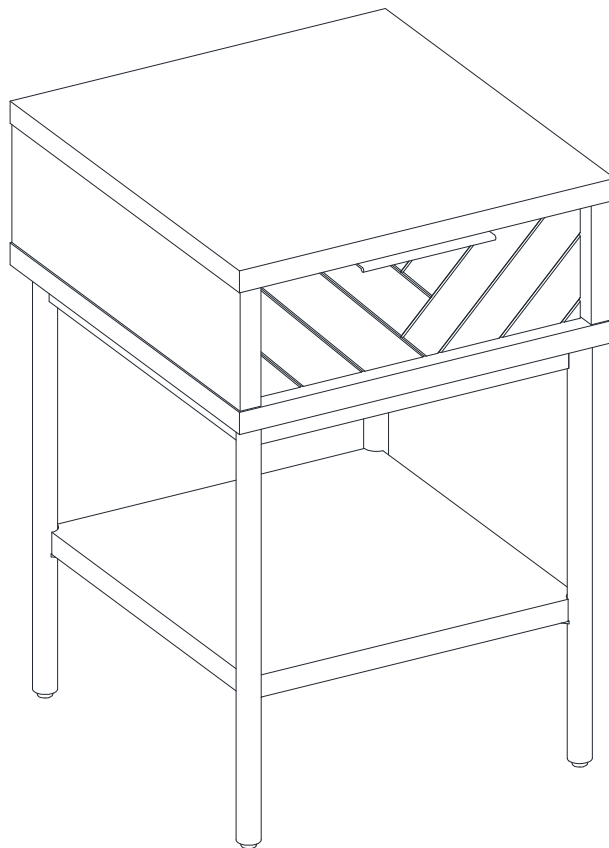


Wyatt Geo End Table

Stock # BH1425004710002



ADULT ASSEMBLY REQUIRED

If you have any questions regarding assembly or if parts are missing, DO NOT return this item to the store where it was purchased. Please call our customer service number and have your instructions and parts list ready to provide the model name, part name or factory number:

1-866-942-5362

Pacific Standard Time: 8:30 a.m. - 4:30 p.m., Monday - Friday

Or visit our website 24 hours a day, 7 days a week for product assistance at

www.whalenstyle.com

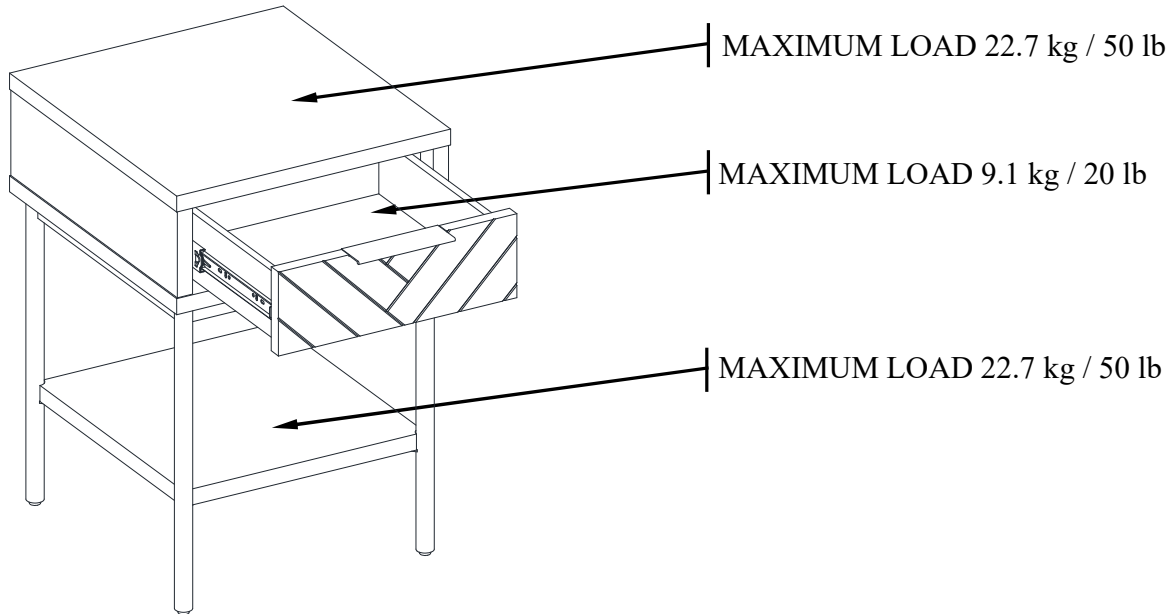
Or e-mail your request to **parts@whalenfurniture.com**

**THIS INSTRUCTION BOOKLET CONTAINS IMPORTANT SAFETY INFORMATION.
PLEASE READ AND KEEP FOR FUTURE REFERENCE.**

Date 2024-01-26 Rev. 0001-A

MAXIMUM RECOMMENDED WEIGHT LOADS

MANUFACTURER: Whalen Furniture Manufacturing
CATALOG: Wyatt Geo End Table
STOCK # BH1425004710002



⚠ WARNING

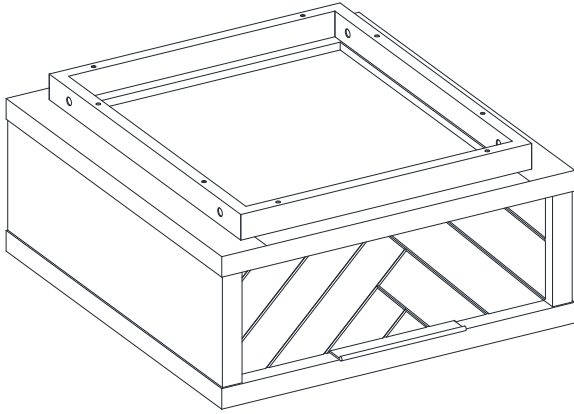
THIS UNIT IS INTENDED ONLY FOR USE WITHIN THE MAXIMUM WEIGHTS INDICATED. USE WITH LOADS HEAVIER THAN THE MAXIMUM WEIGHTS INDICATED MAY RESULT IN INSTABILITY, CAUSING POSSIBLE INJURY.

SPECIAL NOTE

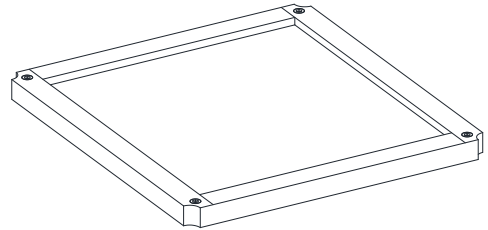
Please read the instruction sheets completely before assembly. Examine all packaging material before discarding carton. Remove any remaining staples from the carton before discarding. Remove all parts from carton and separate into groups as indicated on part list. Please ensure all parts are included prior to assembly. Use of power tools to complete assembly is not recommended.

Parts and Hardware List

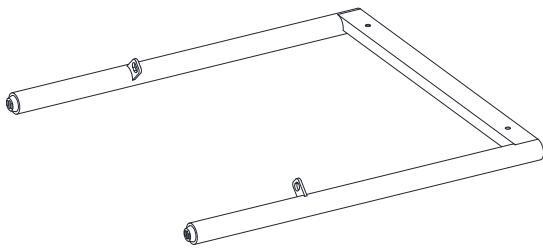
Please read through the instructions completely and verify that all listed parts and hardware are present before beginning assembly.



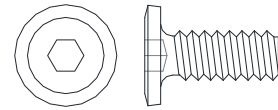
A - Table Top
(Qty. 1)



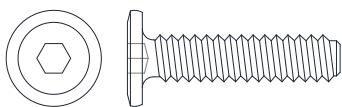
B - Bottom Panel
(Qty. 1)



C - Support Leg
(Qty. 2)



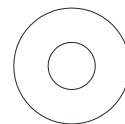
(1) 1/4" x 15 mm Bolt
(Qty. 4+1 extra)



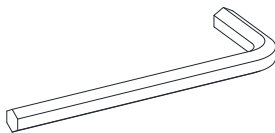
(2) 1/4" x 27 mm Bolt
(Qty. 4+1 extra)



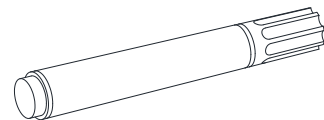
(3) Lock Washer
(Qty. 8+1 extra)



(4) Flat Washer
(Qty. 8+1 extra)



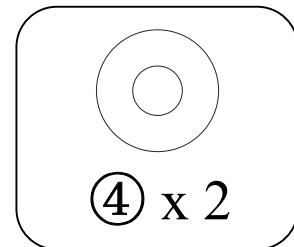
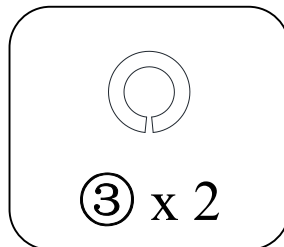
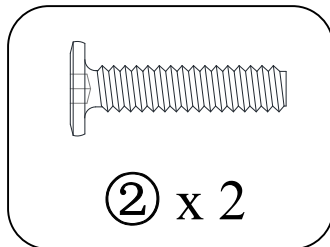
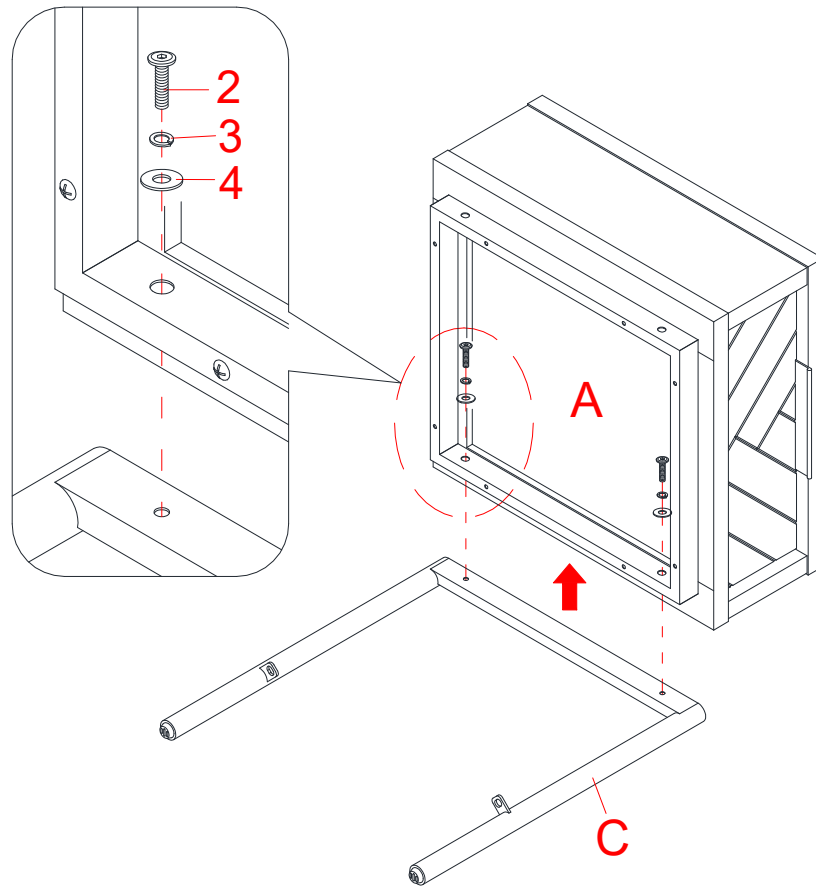
Hex Wrench
(Qty. 1)



Touch-up Pen
(Qty. 1)

Tools required: Hex Wrench (provided).

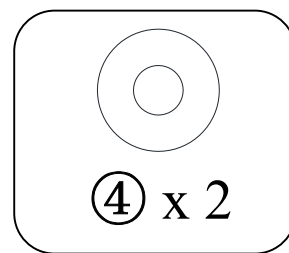
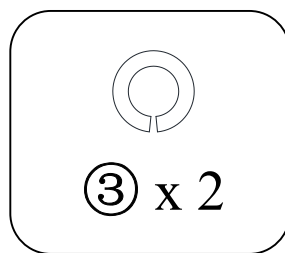
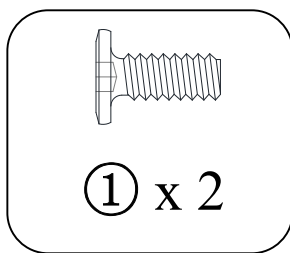
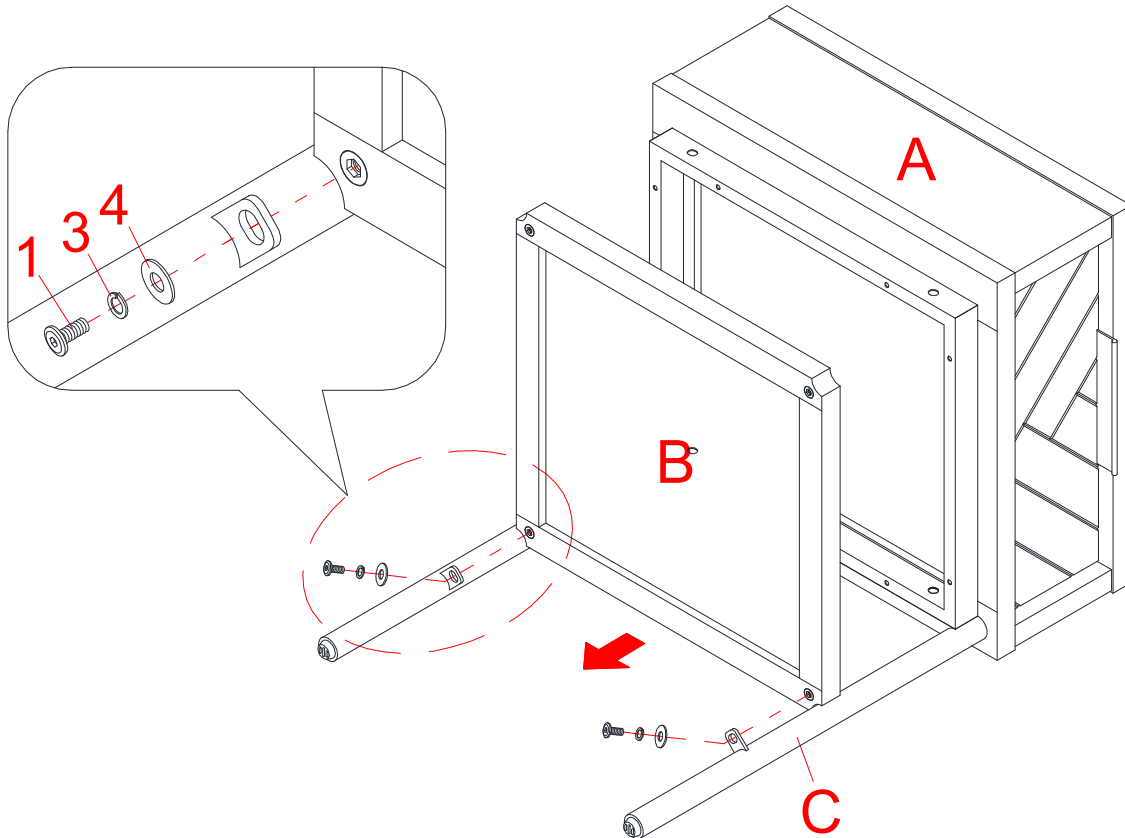
Assembly Instructions



⚠ WARNING DO NOT fully tighten the bolts or screws until all the bolts or screws are ready to assemble. To avoid causing damage to the threads, DO NOT over-tighten the bolts or screws.

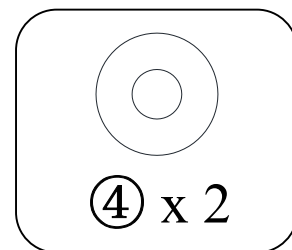
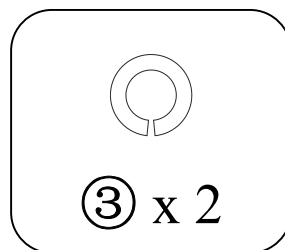
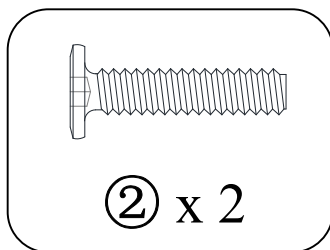
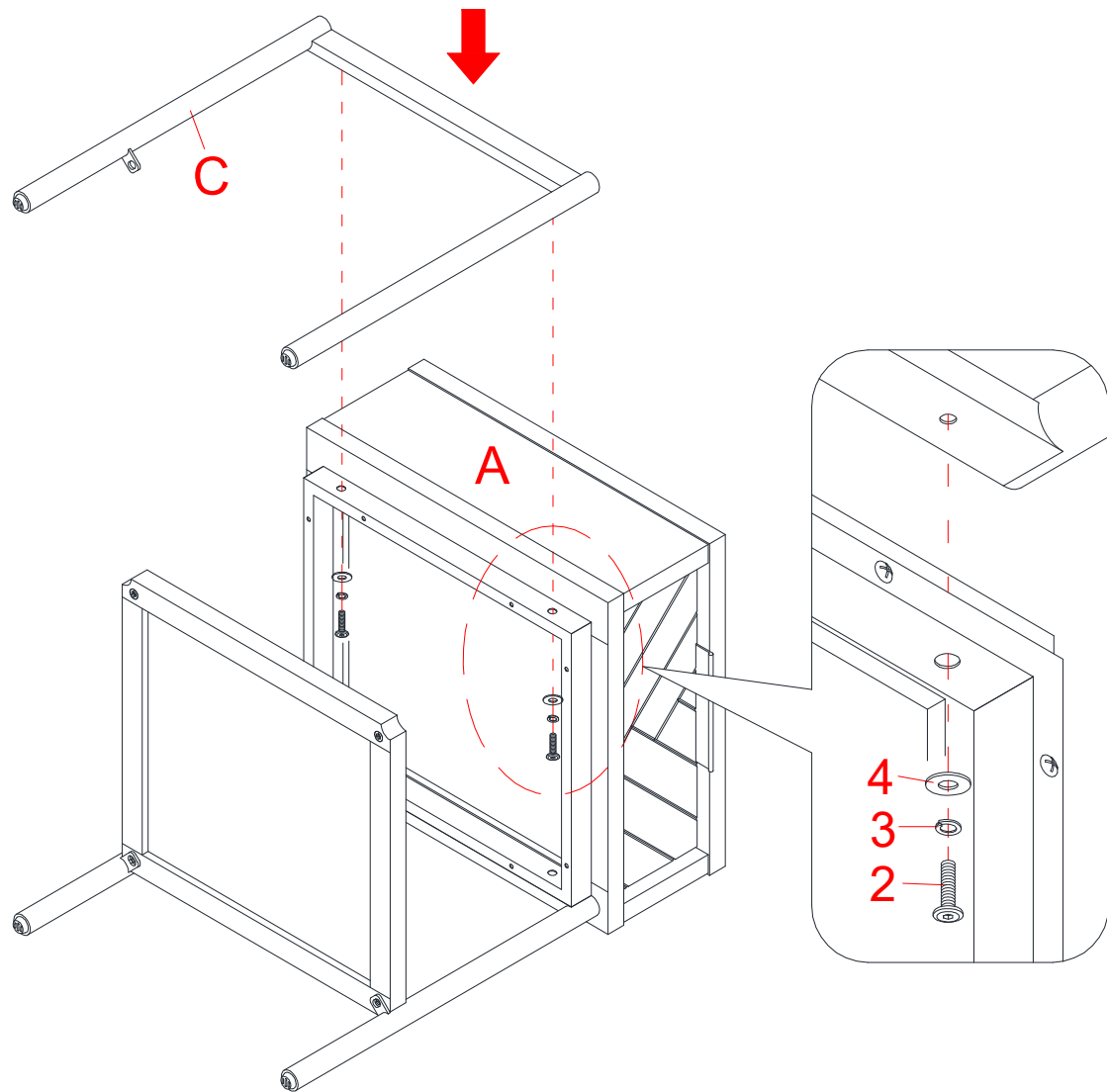
1. Unpack the unit and confirm that you have all the hardware and required parts listed. Assemble the unit on a carpeted floor or the empty carton to avoid any scratches.
2. Align and attach one Support Leg (C) to either end of the Table Top (A) by inserting two 27 mm Bolts (2) with the Lock Washers (3) and Flat Washers (4) through the mounting holes on the metal frame and securely screw into the threaded sockets.

Assembly Instructions



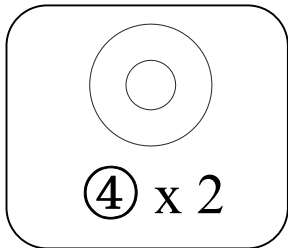
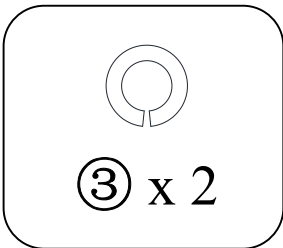
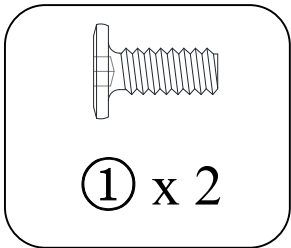
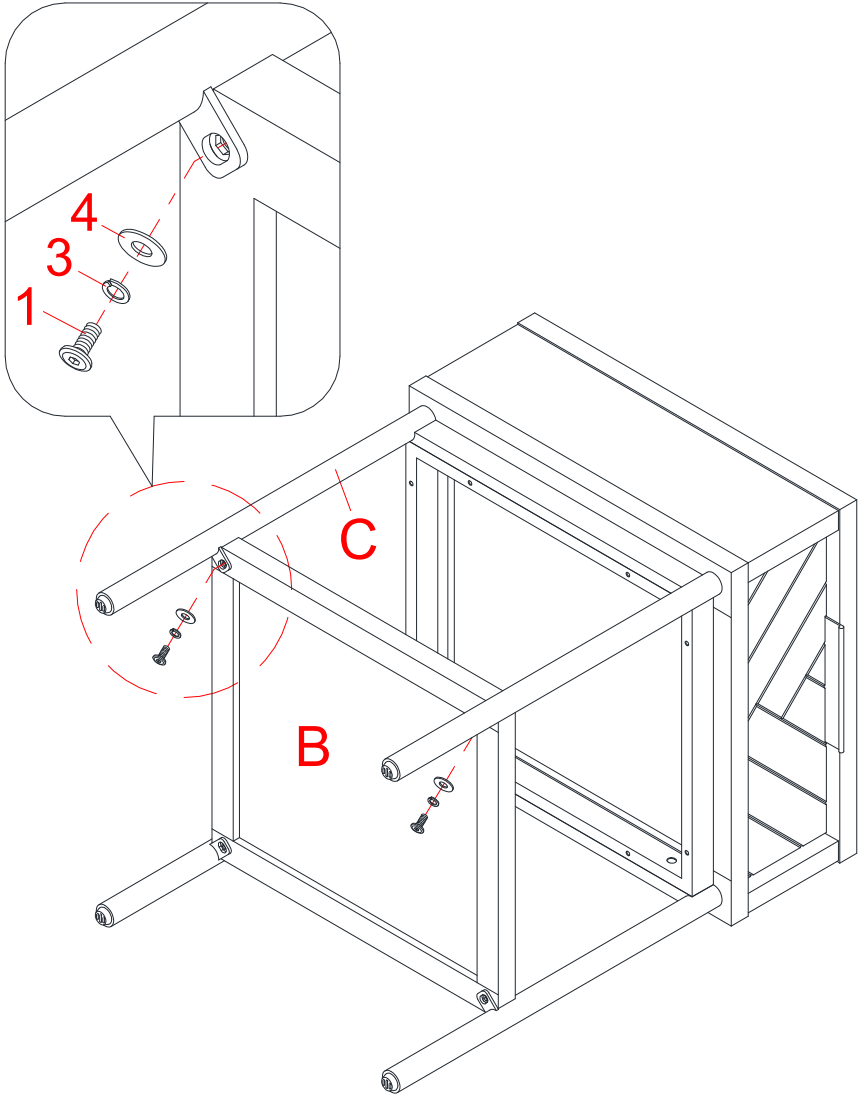
3. Align and attach the Bottom Panel (B) to the Support Leg (C) by inserting two 15 mm Bolts (1) with Lock Washers (3) and Flat Washers (4) through the metal tabs of the Support Leg (C) and securely screw into place.

Assembly Instructions



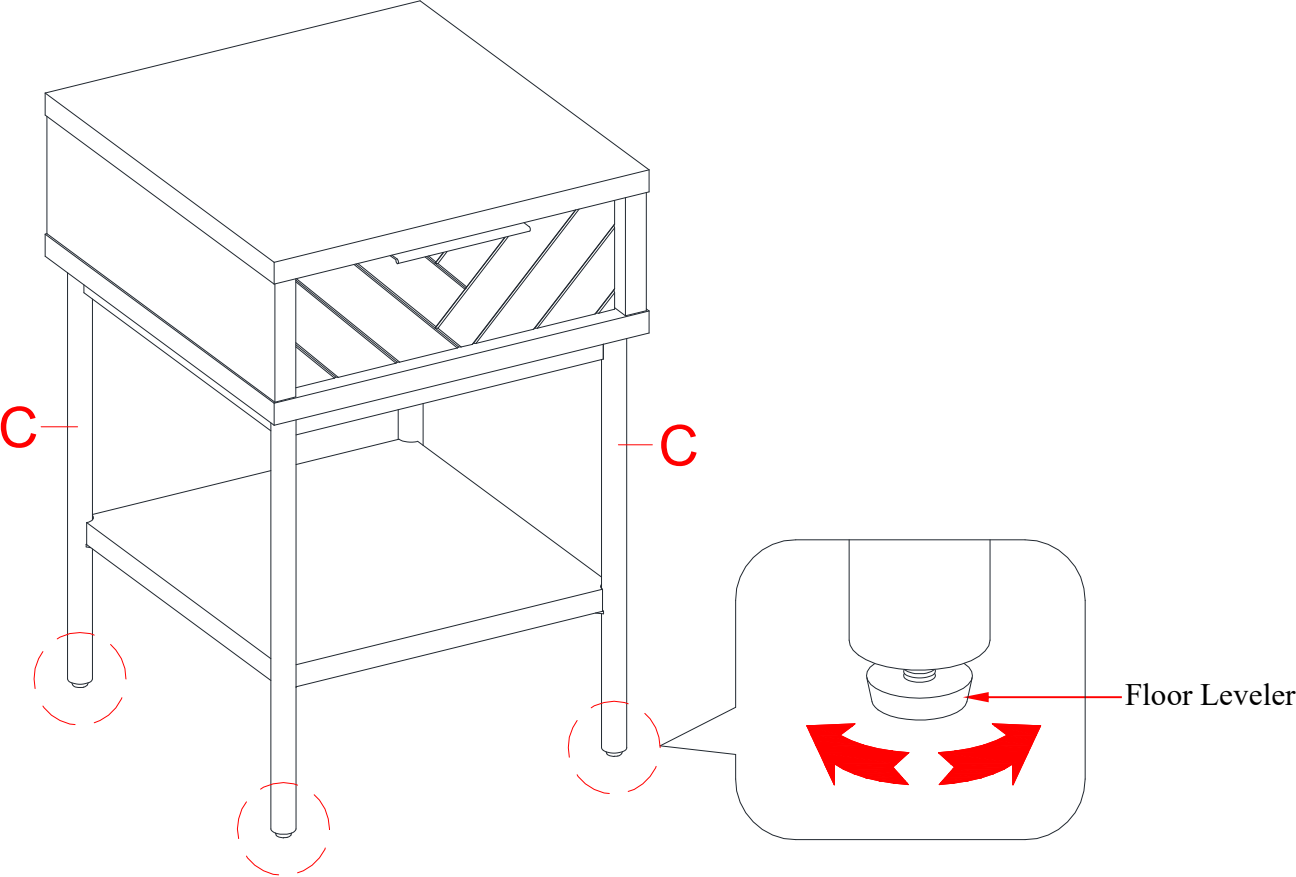
4. Align and attach the Support Leg (C) to the Table Top (A) by inserting two 27 mm Bolts (2) with the Lock Washers (3) and Flat Washers (4) through the mounting holes on the Table Top (A) and securely screw into place.

Assembly Instructions



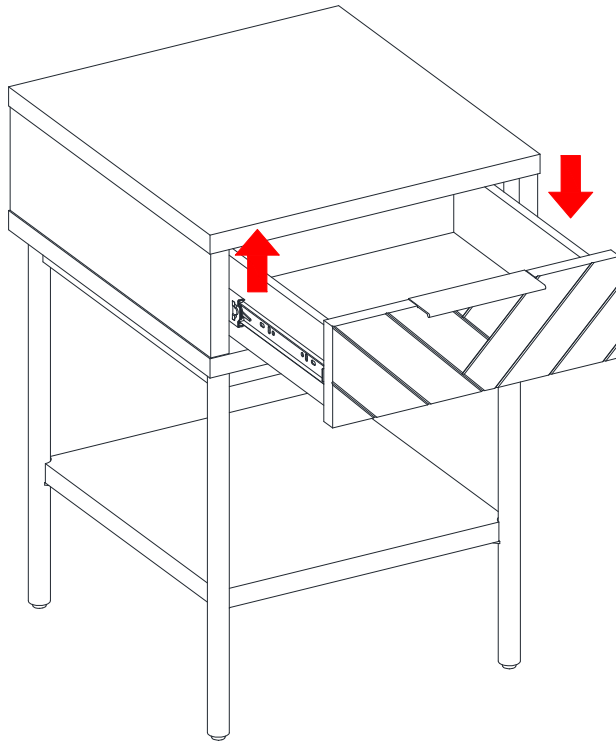
5. Insert two 15 mm Bolts (1) with the Washers (3 and 4) through the metal tabs of the Support Leg (C) and securely screw into place. Now, fully tighten all bolts with the hex wrench provided.

Assembly Instructions

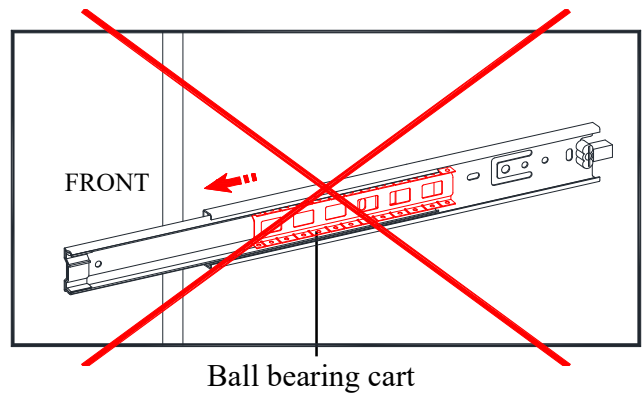
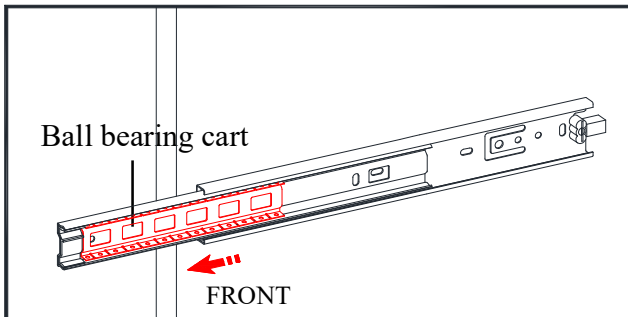
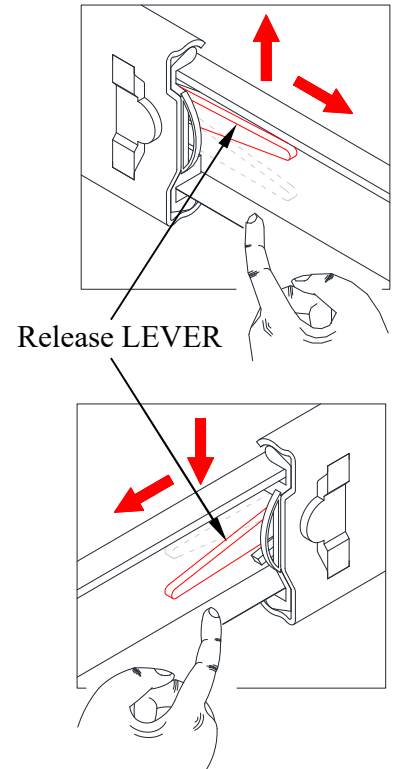


- 6. Stand the assembled unit upright on a flat surface.
- 7. If necessary, adjust the pre-attached floor levelers at the bottom of the Support Legs (C) to level the unit.

Assembly Instructions



DRAWER REMOVAL



DRAWER INSTALLATION

8. If you need to remove the drawer, please pull the drawer all the way out, then simultaneously push the plastic release lever of the ball bearing slide up on one side and down on the other side, and then pull the drawer out completely.
9. To place the drawer back, simply push the ball bearing cart all the way to the end of the slides (on both sides) and align the slide runners on the drawer with the slide tracks on the unit and push it carefully inside until it stops.

NOTE: If the drawer does not go in smoothly, please take it out and repeat the step.

Care and Maintenance

- Use a soft, clean cloth that will not scratch the surface when dusting.
- Use of furniture polish is not necessary. Should you choose to use polish, test first in an inconspicuous area.
- Using solvents of any kind on your furniture may damage the finish.
- Never use water to clean your furniture as it may cause damage to the finish.
- Always use coasters under beverage glasses and flowerpots.
- Liquid spills should be removed immediately. Using a soft, clean cloth, blot the spill gently. Avoid rubbing.
- Always use protective pads under hot dishes and plates. Heat can cause chemical changes that may create spotting within the furniture finish.
- In the event that your furniture is stained or otherwise damaged during use, we recommend that you call a professional to repair your furniture.
- Check bolts/screws periodically and tighten them if necessary.

Further Advice about Furniture Care

It is best to keep your furniture in a climate-controlled environment. Extreme temperature and humidity changes can cause fading, warping, shrinking and splitting of wood. It is advised to keep furniture away from direct sunlight as sun may damage the finish.

Proper care and cleaning at home will extend the life of your purchase. Follow these important and helpful tips that will enhance your furniture as it ages.

A touch-up pen has been provided to minimize the small nicks or scratches that may occur during assembly or shipping.

We hope you enjoy your purchase for many years.
Thank you for your purchase!

QUALITY GUARANTEE

We are confident that you will be delighted with your Whalen Furniture purchase.

Should this product be defective in workmanship or materials or fail under normal use, we will repair or replace it for up to one (1) year from date of purchase. Every Whalen Furniture product is designed to meet your highest expectations. We guarantee that you will immediately see the value of our fine furniture.

This warranty gives you specific legal rights and you may also have other rights which vary from State to State.

Whalen Furniture Manufacturing
1578 Air Wing Road, San Diego CA, 92154, USA
Customer Service: 1-866-942-5362
8:30 a.m. - 4:30 p.m., PST, Monday to Friday
www.whalenstyle.com